

Septic Permit Application

CARROLL COUNTY HEALTH DEPARTMENT

KEVIN FESLER

STEPS TO GET A SEPTIC PERMIT

1. Obtain a soil report of the area of the proposed septic system (Information Attached).
 - a. Select a soil scientist. A list of soil scientists who do a lot of work in Carroll County is attached.
 - i. These soil scientists are knowledgeable in the geology of Carroll County and will be able to assist you in the selection of a location on your property that is likely to work well for a septic system.
 - ii. The soil scientist will submit a copy of the results of the soil tests to the Carroll County Health Department.
2. The Health Department will provide a specification sheet after receiving the soil reports and send it to you and your contractor if you have already selected one.
3. The contractor will submit the application with a drawing of proposed system to the Health Department.
4. The information will be reviewed by the Health Department.
 - a. Any alterations required to be in compliance with the Residential On-Site Sewage System Rule 410 IAC 6-3-8 will be discussed with the contractor and the plan will be revised as necessary
5. Pay Fee:
 - a. Septic system repair - \$ 75.00.
 - b. New Septic System - \$ 100.00.
6. System approved and a permit will be issued.

Carroll County Health Department
APPLICATION FOR A RESIDENTIAL ON-SITE SEWAGE DISPOSAL SYSTEM PERMIT

Date _____ Applying for: New System _____ Repair _____ Expansion _____

Site Address: _____ Twp _____ Parcel # _____

Directions to site: [if address is not available] _____

Applicant _____ Telephone _____

Address _____ E-mail _____

Property Owner [If different from applicant] _____ Telephone _____

Address _____ E-mail _____

Soil evaluation conducted by: _____ Telephone _____

Site Description:

Attach a floor plan of the proposed building clearly indicating which rooms will be used as bedrooms.

Attach a scale site plan indicating the location of the buildings, soil borings, drain field (including fingers), septic tank, distribution box, well, perimeter drain, perimeter drain outlet,

Water Supply: Public _____ Semi Public _____ Private _____

Water Softener: Yes _____ No _____ Jetted Bathtub Capacity > 125 g: Yes _____ No _____

Number of Bedrooms or bedroom equivalents _____

Several inspections will be conducted as part of the installation of the on-site sewage system. By signing this application, you agree to allow Carroll County Health Department staff to enter your property without further notification for all inspections required to install your on-site sewage system.

By signing this document, the property owner and/or his agent certifies that to his knowledge, all the information submitted is correct and the system will be installed as approved in compliance with 410 IAC 6-8.1 and local ordinance 89-4 Code 3-49 of Carroll County.

NOTE: A floor plan of the proposed building and scale drawing of the site are required before a permit is issued.

Applicant Signature: _____

CCHD Use Only:

Date _____ Site is: Approved _____ Denied _____

By: Carroll County Environmental Sanitarian: _____

ADDITIONAL INFORMATION

OBTAIN A SOIL EVALUATION FROM A CERTIFIED SOIL SCIENTIST--A LIST IS AVAILABLE FROM THE HEALTH DEPARTMENT [attached].

UPON RECEIPT, THE HEALTH DEPARTMENT SANITARIAN WILL EVALUATE THE PERMEABILITY OF THE SOIL, DETERMINE THE REQUIRED SQUARE FOOTAGE OF THE ABSORPTION FIELD BASED ON THE NUMBER OF BEDROOMS, TRENCH DEPTH, AND PERIMETER DRAIN REQUIREMENTS AND DEVELOP A MINIMUM SPECIFICATION FOR YOUR NEW SYSTEM.

DEVELOP A PLAT PLAN TO SHOW THE LOCATION OF THE RESIDENCE, RESIDENCE WELL, DRIVEWAY, OTHER BUILDINGS, PROPERTY LINES, AND THE PROPOSED LOCATION OF THE SEWAGE SYSTEM. THE SYSTEM SHOULD BE LOCATED IN THE VICINITY OF THE SELECTED SOIL BORING AND THE AREA STAKED OUT TO PREVENT CONSTRUCTION TRAFFIC FROM COMPACTING THE SOIL.

SELECT AN INSTALLATION CONTRACTOR WHO, UTILIZING THE PLAT PLAN , WILL DEVELOP A SYSTEM DESIGN THAT WILL SHOW THE LOCATION OF BENCHMARK, SPOT ELEVATIONS AND LAND CONTOURS, SLOPE OF ABSORPTION FIELD SITE, LOCATION OF ALL SOIL BORINGS, LOCATION AND ELEVATION OF ALL SYSTEMS COMPONENTS. THE HOMEOWNER/CONTRACTOR WILL SUBMIT THE PLAT PLAN, APPLICATION, AND SYSTEM DESIGN ALONG WITH THE FEE TO THE HEALTH DEPT FOR REVIEW AND APPROVAL/ DISAPPROVAL. IF APPROVED, THE HEALTH DEPARTMENT WILL ISSUE A PERMIT.

REPAIR FEE \$75.00

NEW PERMIT \$100.00

THE CONTRACTOR MUST NOTIFY THE HEALTH DEPARTMENT AT LEAST 24 HOURS IN ADVANCE OF COMMENCING INSTALLATION TO ALLOW FOR SCHEDULING REQUIRED INSPECTIONS. THE HOMEOWNER IS RESPONSIBLE FOR INSURING THAT GRASS IS PLANTED OVER THE SYSTEM TO PREVENT EROSION.

Updated 11/23

Business	Street Address	City	Zip Code	Office Phone	Email/Website Address
Soil Scientists:					
Horizons LLC	10740 Cheryl Ct.	Carmel	46033	(765) 212-7945	mmclain1313@gmail.com
Mosher Soil Consulting	10387 N 100 W	Monon	47959	(219) 253-8491	jomosher@uhere.net
Ziegler Soil Consulting, Inc.	42 Canyon Creek Circle	Lafayette	47909	(765) 474-3041	ThomasRZiegler@aol.com
Ron Wamsley	1454 S 1000 W	Rensselaer	47978	(219) 869-5837	wamsronsin@yahoo.com
See the Indiana Registry of Soil Scientists for additional listings https://oisc.purdue.edu/irss/index.html					
Well Drillers:					
Armstrong Drilling	1480 A. Michigan St.	Burlington	46915	(765) 566-3362	
Dilden Brothers	1426 Canal Rd	Lafayette	47904	(765) 742-1717	
Findlay Well Drilling	1200 IN-25	Lafayette	47909	(765) 474-1383	www.findlaydrilling.com/
Moss Well Drilling Inc.	201 E NORTH ST	Galveston	46932	(574) 699-6773	www.mosswelldrilling.com
Ortman Drilling	241 N 300 W	Kokomo	46901	(765) 459-4125	
Titus	2706 State Rd 225 E	Battleground	47909	(765) 567-2516	www.tituswelldrilling.com/
Pumpers:					
American Pumping Environmental	2522 E, IN-218	Camden	46917	(765) 427-8877	www.americanpumpingenviro.com
Godlove Enterprises, Inc.	933 Hanawalt Rd	Monticello	47960	(574) 583-8990	www.godloveent.com/
Snow White	3304 W 250 N	W. Lafayette	47906	(765) 463-9100	www.snowwhiteservices.com/
Septic Contractors:					
Cable Excavating, LLC	4313 E 200 S	Bringhurst	46913	(574) 967-4211	
Alan George Excavating	11329 W 250 N	Delphi	46923	(765) 564-2451	www.alangeorgeexcavating.com
Kyle Deaton	5368 S 800 W	Delphi	46923	(765) 430-9699	
Jerry Dehaai Construction	4710 W 775 S	Rossville	46065	(765) 379-3229	
Hack Excavating Inc.	3700 S 175 W	Lafayette	47909	(765) 477-6734	www.hackexcavating.com/
Jason Lowery	3175 N 900 W	Delphi	46923	(765) 202-1799	
Rinehart Excavating	6155 W 550 S	Delphi	46923	(765) 379-2107	
Poisel Construction	5845 Poinsettia Dr	Lafayette	47905	(765) 447-6790	www.poiselconstruction.com/
Ikes Sewer Service	1950 E 800 N,	W. Lafayette	47906	(765) 448-1443	www.ikessewerservice.com/
Kyburz Excavating	300 Walnut St	Monon	47959	(219) 253-7692	
Cheesman Inc.	5008 Washington St.	Westpoint	47992	(765) 572-2550	
Hass Excavating		Delphi	46923	(765) 637-3199	
Quality Construction Inc.	3076 N 800 E	Monticello	47960	(574) 583-7405	
Cole and Sons, Inc.	7851 County Rd W 220 S	Russiaville	46979	(765) 883-7950	www.coleandsonsinc.com/
Alliance Excavating and Demolition Inc.	6454 S 750 W	Russiaville	46979	(765) 883-1172	
Richard Blazer	2304 E 300 S	Kokomo	46902	765 453 5615	
County Line Tile	9118 W 1000th S	Winamac	46996	(574) 278-7484	
Well Drilling, Inc	2706 State Rd 225 E,	Battleground	47920	(765) 567-2516	

Carroll County Health Department Gravity & Flood Dosed System Design Sheet for Subsurface On-Site Sewage System

(To be attached to the site plan drawing)

Site Location: _____ Parcel Number: _____

Installer Name: _____ Installer Phone Number: _____

(Circle or fill in the correct item on each line)

Septic Tank: Size; 750 1000 1250 1500 1750 Manufacturer; Carter Rensselaer Other _____

Construction Material: Concrete Polyethylene Compartments: One Two

Filter: Yes No Filter Alarm: Yes No

Distribution Box: Holes: _____ Manufacturer; Carter Rensselaer Other _____

Construction Material: Concrete Polyethylene

Gravity & Effluent Sewer Pipe: Size: 4" 6" Type: [PVC] ASTM D2665 ASTM F891 ASTM D3034

[ABS] ASTM D2661 ASTM D2680 ASTM D2751

Dose Tank: N/A Size; 1000 g Other _____ Manufacturer; Carter Rensselaer Other _____

Construction Material: Concrete Polyethylene

Effluent Pump: N/A Yes No Total Head: _____ Discharge Rate: _____ Manufacturer: _____

Force Main: N/A Size; 1" 1.25" 1.5" 2" Other _____ Construction Material: ASTM D1785

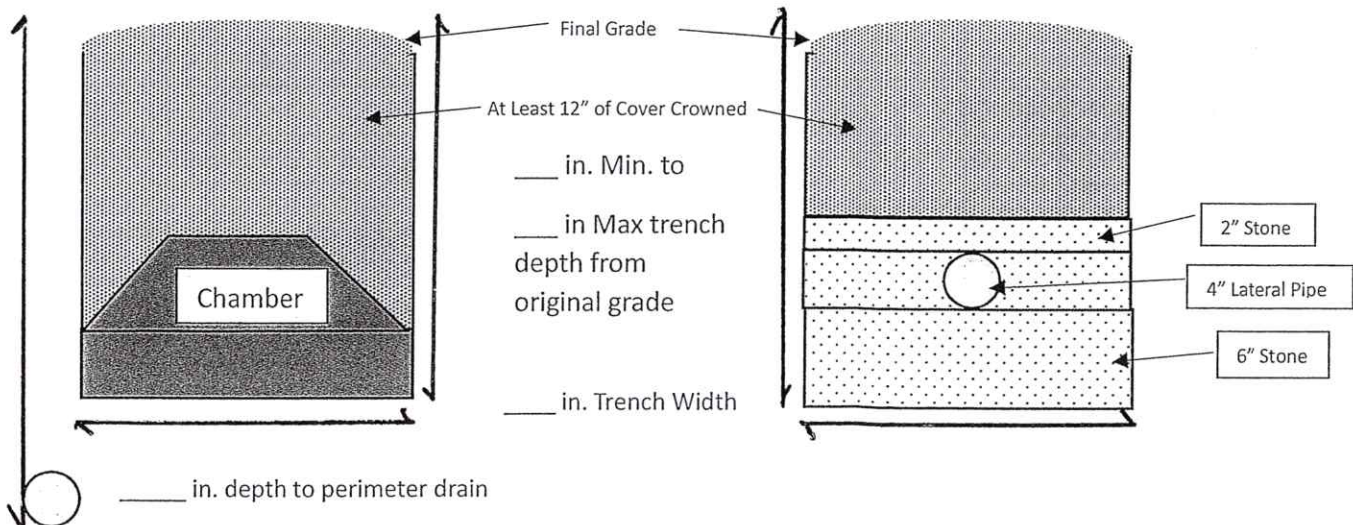
Lateral Pipe: Total Length to be installed: _____ ft. Material Type: [PVC] ASTM D2729 [POLY] ASTM F810-85
AASHTO M252-Type SP

Trench Type: Gravel Infiltrator Chamber Other _____ Trench Fill; Stone Gravel Spec 20 Sand

Barrier Material: Geotextile Filter Fabric Brand; _____

Perimeter Drain: Not Required Required Size: 4" 6" With Sock Without Sock

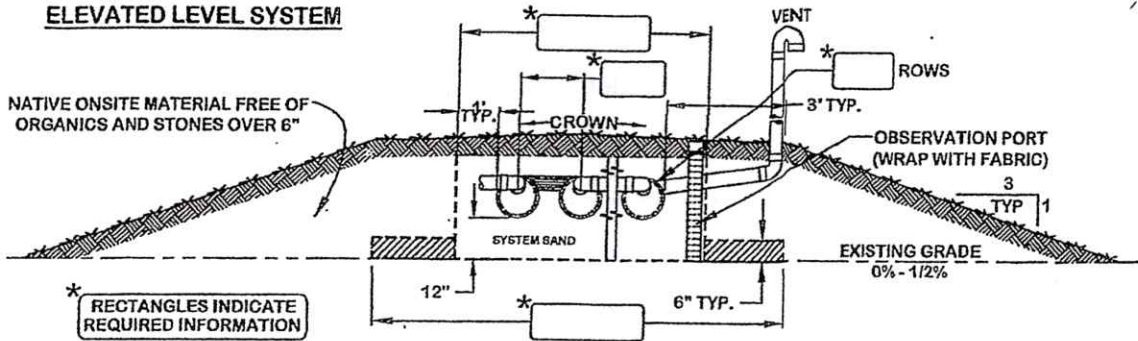
Indicate type of system to be installed. [Sand line systems are on the reverse side.]



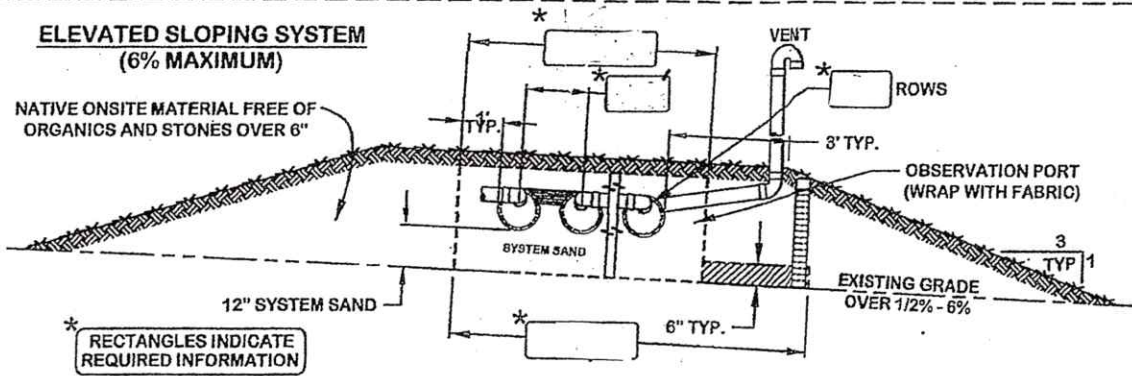
Contractor's Signature: _____

CHOOSE CROSS-SECTION THAT APPLIES AND PROVIDE REQUIRED INFORMATION

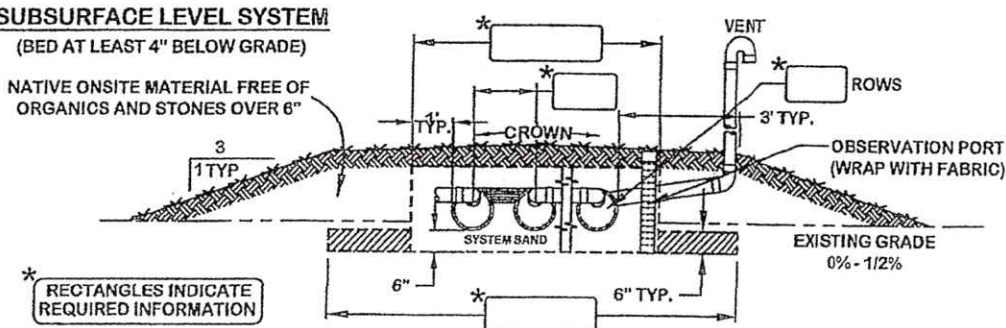
ELEVATED LEVEL SYSTEM



**ELEVATED SLOPING SYSTEM
(6% MAXIMUM)**



**SUBSURFACE LEVEL SYSTEM
(BED AT LEAST 4" BELOW GRADE)**



**SUBSURFACE SLOPING SYSTEM
(15% MAXIMUM)
(BED AT LEAST 4" BELOW GRADE)**

