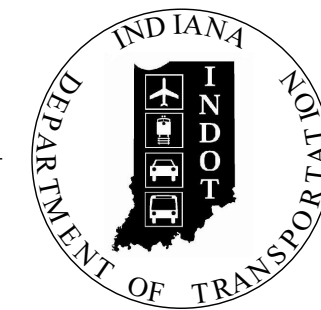


PROJECT 1700148	DESIGNATION 1700148
CONTRACT B-40555	BRIDGE FILE 159-77-10338

INDIANA DEPARTMENT OF TRANSPORTATION

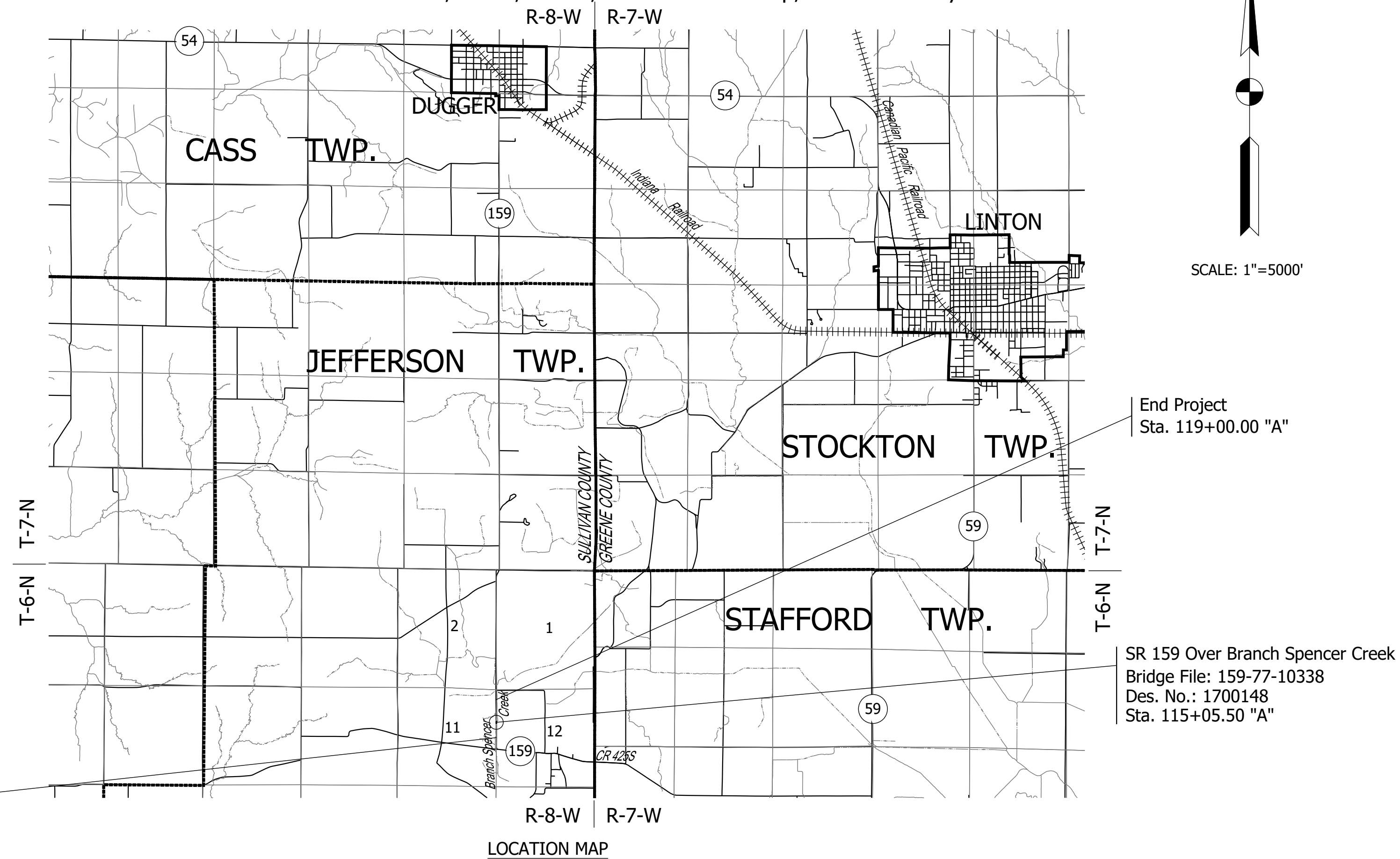


BRIDGE PLANS FOR SPANS OVER 20 FEET

ROUTE: SR 159 AT: RP 7+38

PROJECT NO. 1700148 P.E.
1700148 R/W
1700148 CONST.

Bridge Replacement, Concrete on SR 159 over Branch Spencer Creek
Located 6.76 Miles South of SR 54
Sections 11 & 12, T-6-N, R-8-W, Jefferson Township, Sullivan County

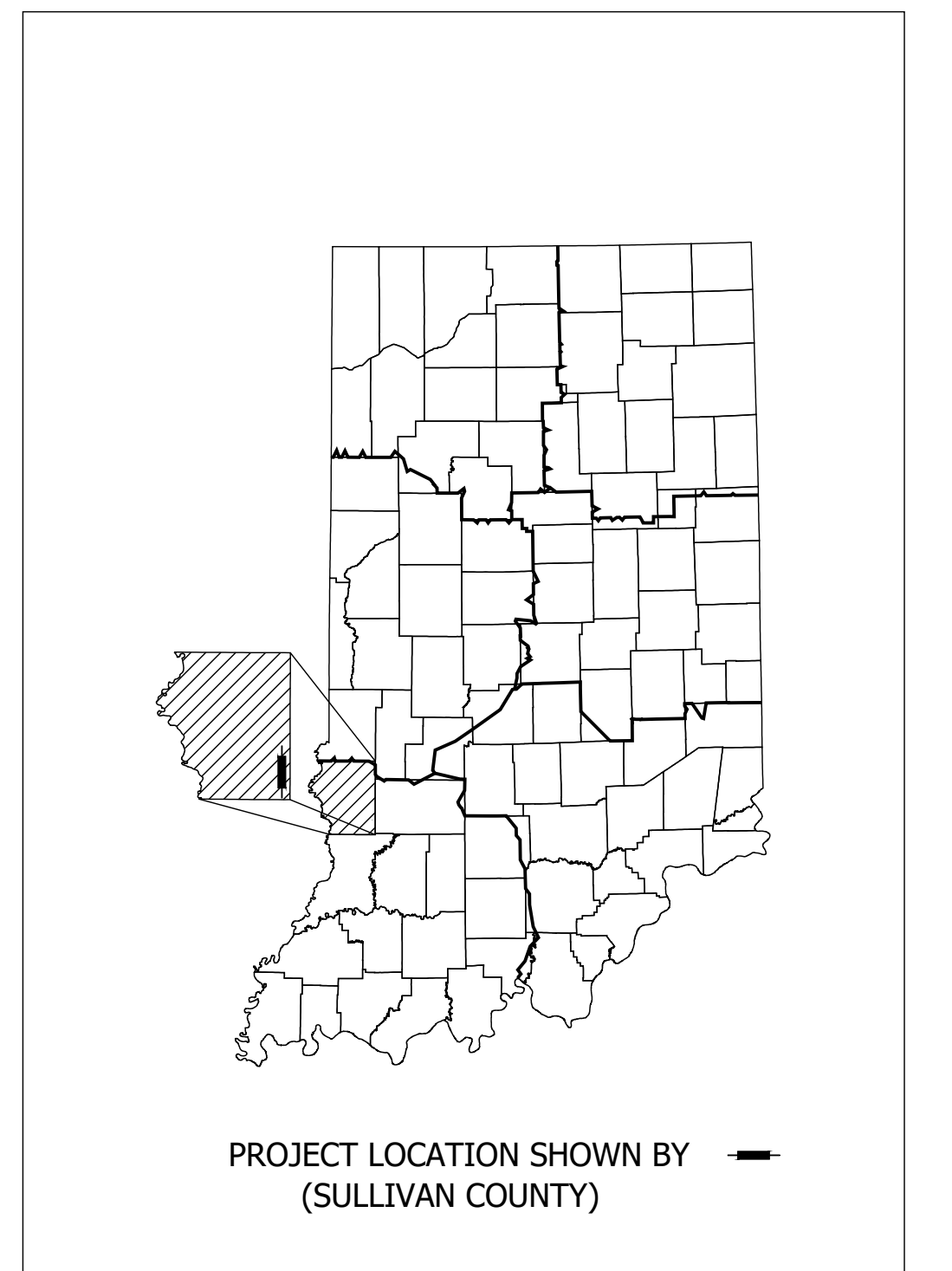


TRAFFIC DATA		
A.A.D.T. (2022)		850 V.P.D.
A.A.D.T. (2042)		1,000 V.P.D.
D.H.V. (2042)		90 V.P.H.
DIRECTIONAL DISTRIBUTION		51/49 %
TRUCKS		5% A.A.D.T. 3% D.H.V.

DESIGN DATA	
DESIGN SPEED	40 M.P.H.
PROJECT DESIGN CRITERIA	3R (NON-FREEWAY)
FUNCTIONAL CLASSIFICATION	STATE COLLECTOR
RURAL/URBAN	RURAL
TERRAIN	LEVEL
ACCESS CONTROL	NONE

STRUCTURE INFORMATION				
STRUCTURE	TYPE	SPAN AND SKEW	OVER	STATION
159-77-10338	Precast Reinforced Concrete Three-Sided Structure	1 Span: 30'-0" Skew: 0°	BRANCH SPENCER CREEK	115+05.50 "A"

KIN PROJECT INFORMATION	
DESIGNATION	PROJECT DESCRIPTION
1600732	SR 54 - SMALL STRUCTURE REPLACEMENT
1700169	SR 154 - SMALL STRUCTURE REPLACEMENT



LATITUDE: 38°58'16" N LONGITUDE: 87°15'35" W

BRIDGE LENGTH:	0.006	MI.
ROADWAY LENGTH:	0.150	MI.
TOTAL LENGTH:	0.156	MI.
MAX. GRADE:	1.50	%

HUC 12: 051202020603
HUC 14: 05120202060020

INDIANA DEPARTMENT OF TRANSPORTATION
STANDARD SPECIFICATIONS DATED 2020
TO BE USED WITH THESE PLANS



PLANS PREPARED BY: LOCHMUELLER GROUP, INC. (812) 479-6200 PHONE NUMBER

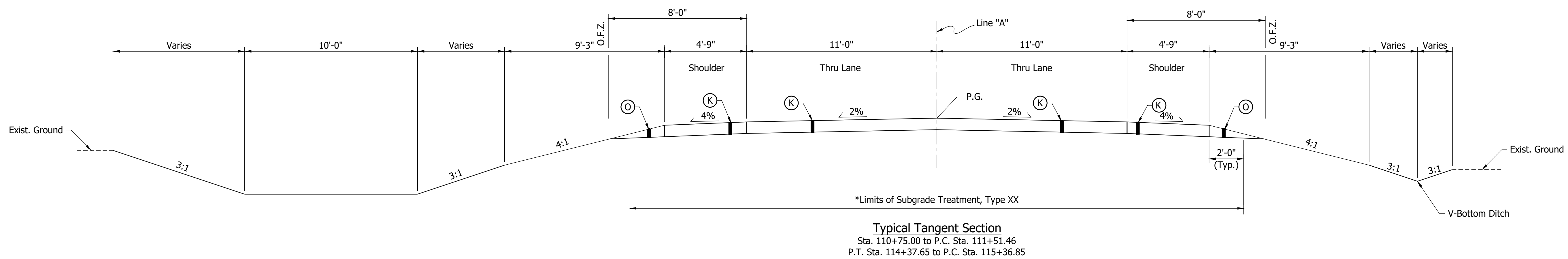
CERTIFIED BY: _____ DATE _____

APPROVED FOR LETTING: _____ DATE _____

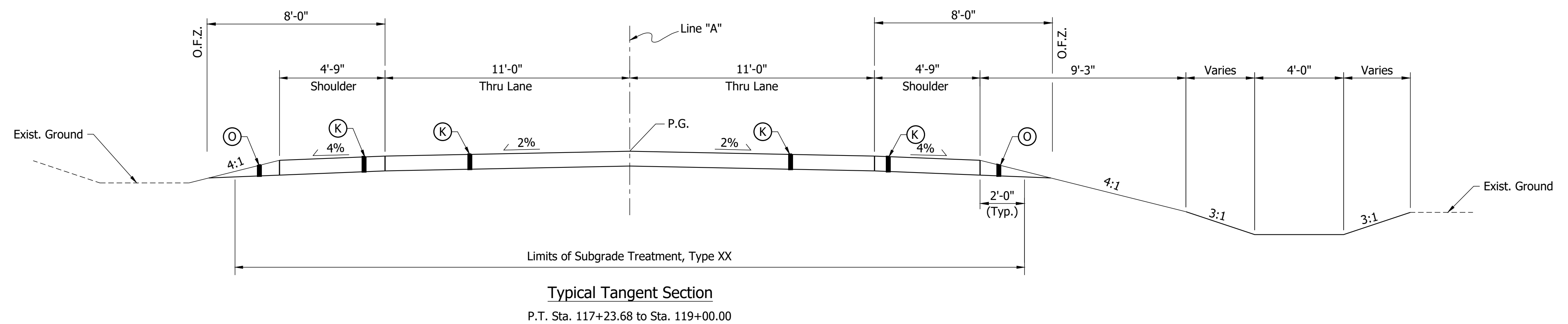
INDIANA DEPARTMENT OF TRANSPORTATION

BRIDGE FILE	159-77-10338
DESIGNATION	1700148
SURVEY BOOK	SHEET
ELECTRONIC	1 of 20
CONTRACT	PROJECT
B-40555	1700148

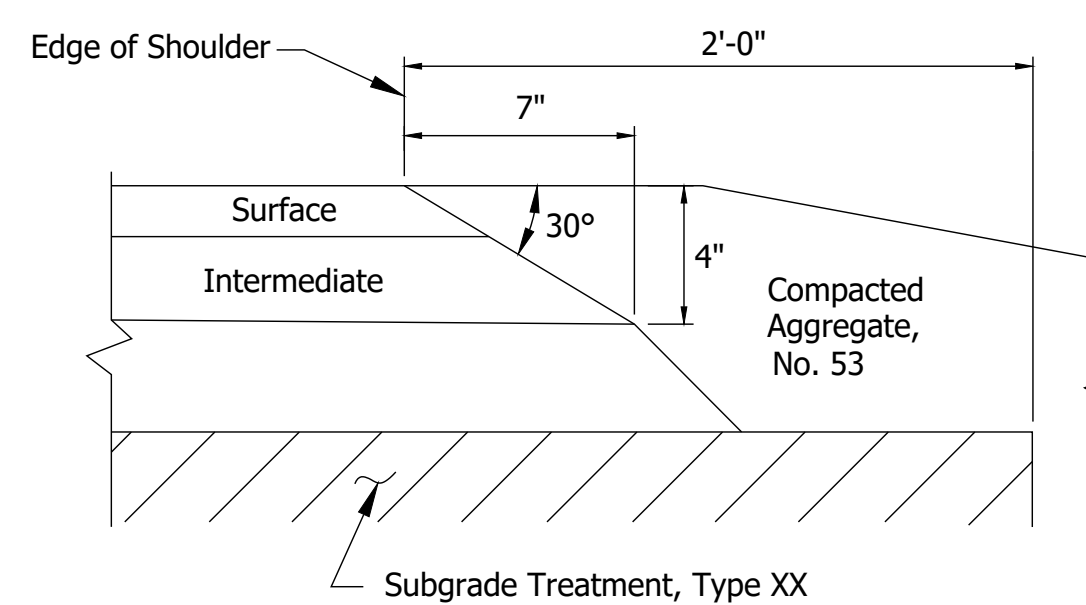
Date: Jan 15, 2020, 10:26am User Name: Tracy
File: S:_2017\17-0051\BBD\Bridge\CAD\Plans\Title_Sht.dwg



*Subgrade Treatment Exception/Bridge Limits
 Sta. 114+83.61 to Sta. 115+27.37



NOTE TO REVIEWER:
 PAVEMENT DESIGN WILL BE DETERMINED AFTER COMPLETION OF GEOTECHNICAL REPORT.



- Notes:
- All Disturbed Areas Shall Have Seed Mixture, R; Unless Otherwise Shown.
 - See Superelevation Transition Diagram on Sheet 7.

- LEGEND**
- (K) HMA Pavement
 - (O) 6" Compacted Aggregate, No. 53
- O.F.Z. Obstruction Free Zone

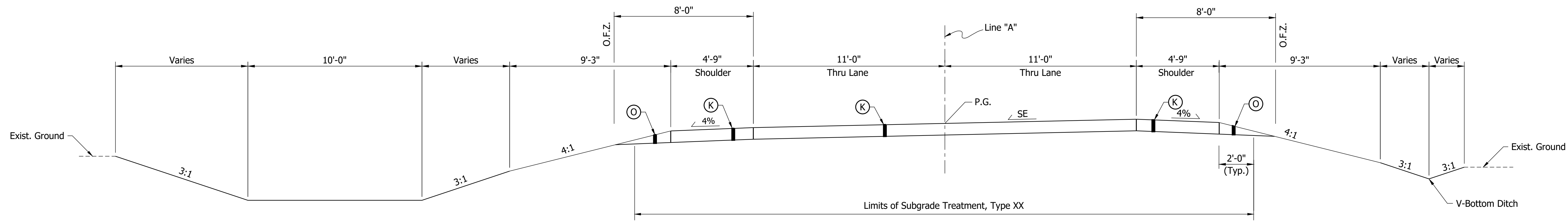
Date: Jan 15, 2020, 10:27am User Name: Tracy
 File: S:_2017\17-0051\BBD\Bridges\CAD\Plans\Typical.dwg

RECOMMENDED FOR APPROVAL	DESIGN ENGINEER	DATE
DESIGNED: JAW 10/2019	DRAWN: TAM 10/2019	
CHECKED: ACS 10/2019	CHECKED: JAW 10/2019	

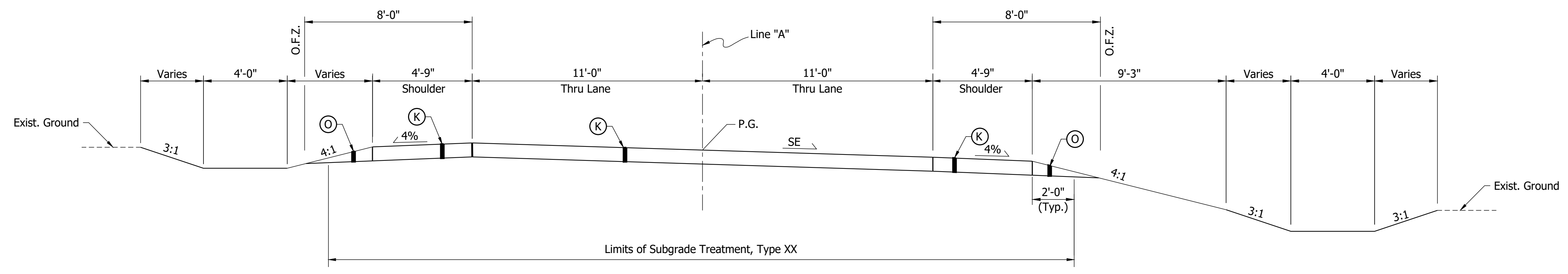
INDIANA DEPARTMENT OF TRANSPORTATION

TYPICAL CROSS SECTIONS

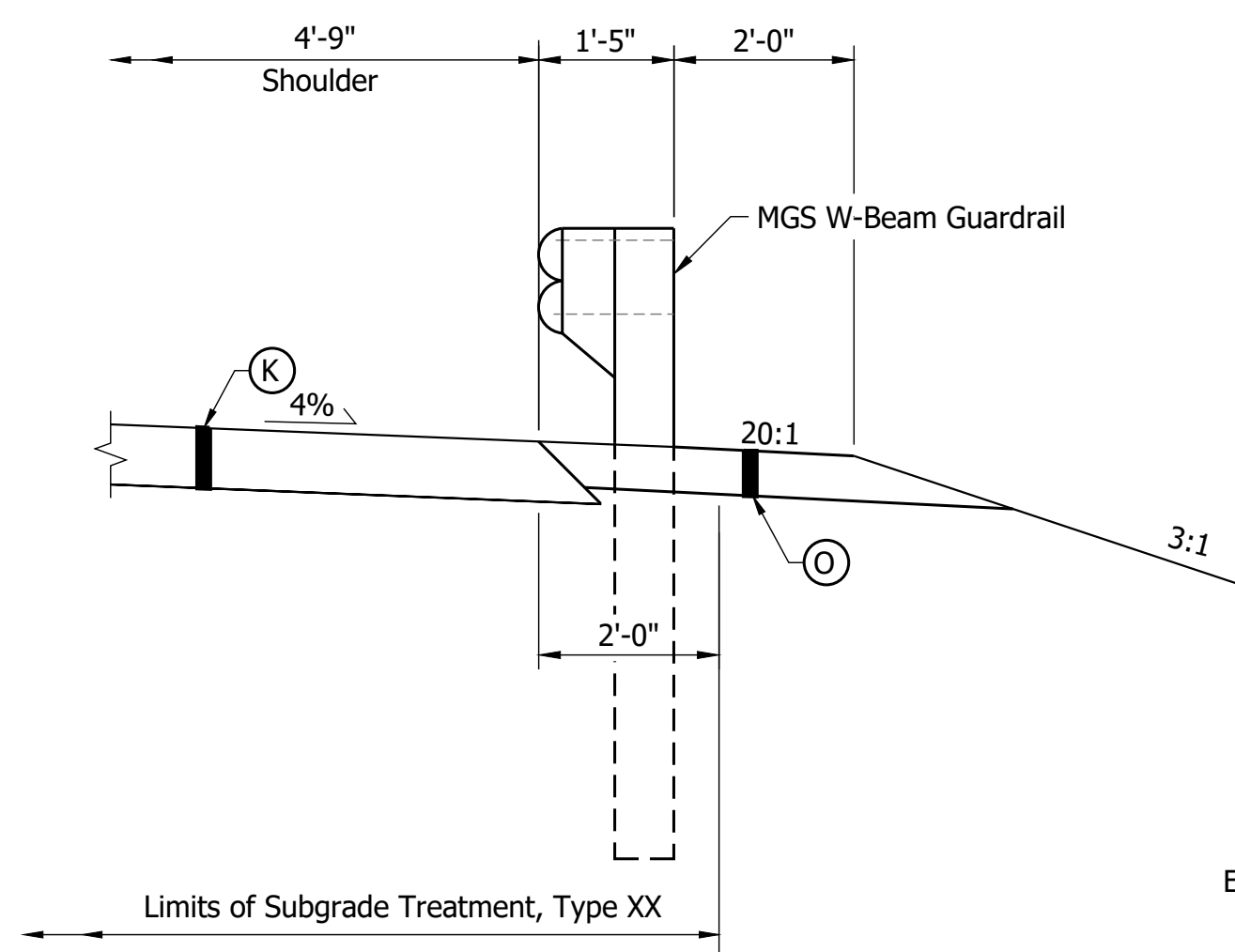
HORIZONTAL SCALE	BRIDGE FILE
5/16"=1'-0"	159-77-10338
VERTICAL SCALE	DESIGNATION
5/16"=1'-0"	1700148
SURVEY BOOK	SHEET
ELECTRONIC	3 of 20
CONTRACT	PROJECT
B-40555	1700148



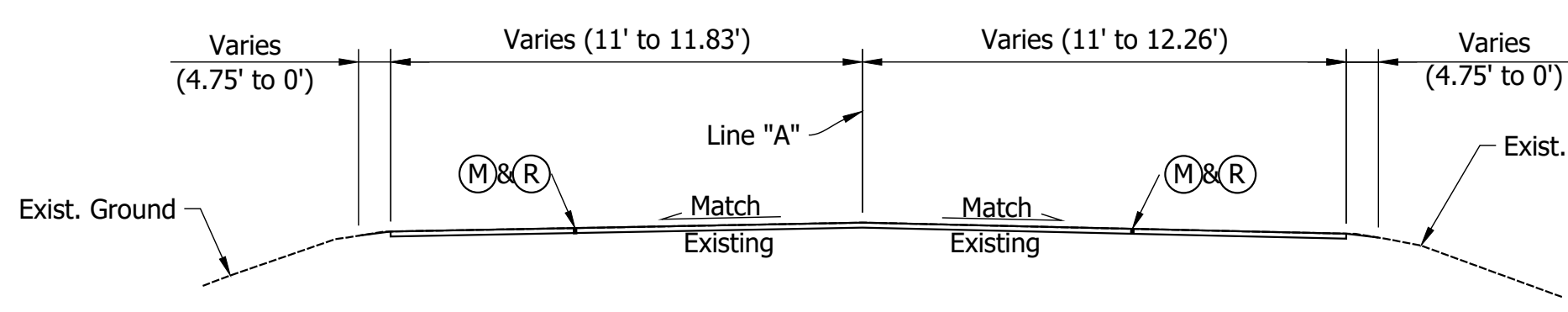
Typical Superelevation Section
 P.C. Sta. 111+51.46 to P.T. Sta. 114+37.65
 Max. SE = 2.2%



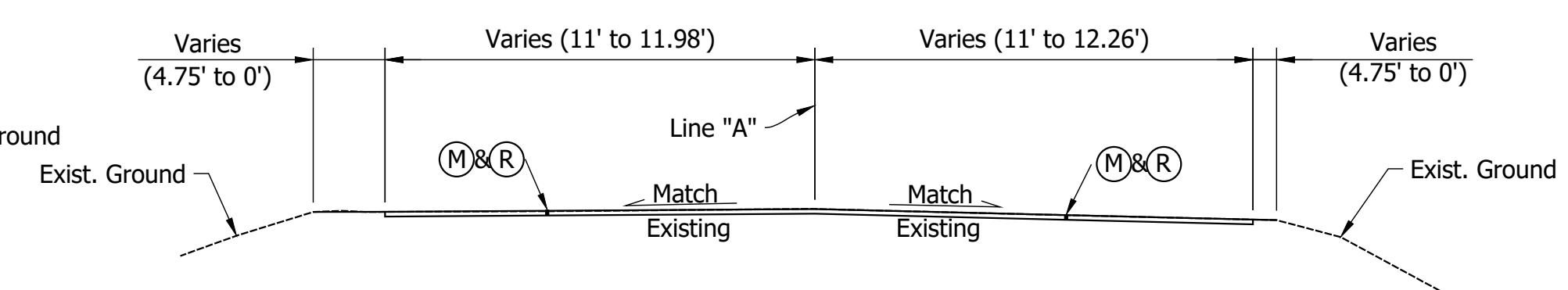
Typical Superelevation Section
 P.C. Sta. 115+36.85 to P.T. Sta. 117+23.68
 Max. SE = 3.1%



Auxiliary Shoulder Detail
 Sta. 114+19.56 to Sta. 116+22.46 Lt.
 Sta. 113+88.31 to Sta. 115+91.41 Rt.
 Scale: 1/2" = 1'-0"



INCIDENTAL CONSTRUCTION TYPICAL SECTION
 Sta. 110+45.00 to Sta. 110+75.00
 SCALE: 1/4" = 1'-0"



INCIDENTAL CONSTRUCTION TYPICAL SECTION
 Sta. 119+00.00 to Sta. 119+30.00
 SCALE: 1/4" = 1'-0"

- LEGEND**
- (K) HMA Pavement
 - (O) 6" Compacted Aggregate, No. 53
 - (M) Milling, Approach
 - (R) HMA Overlay

O.F.Z. Obstruction Free Zone

- Notes:
1. All Disturbed Areas Shall Have Seed Mixture, R; Unless Otherwise Shown.
 2. See Superelevation Transition Diagram on Sheet 7.

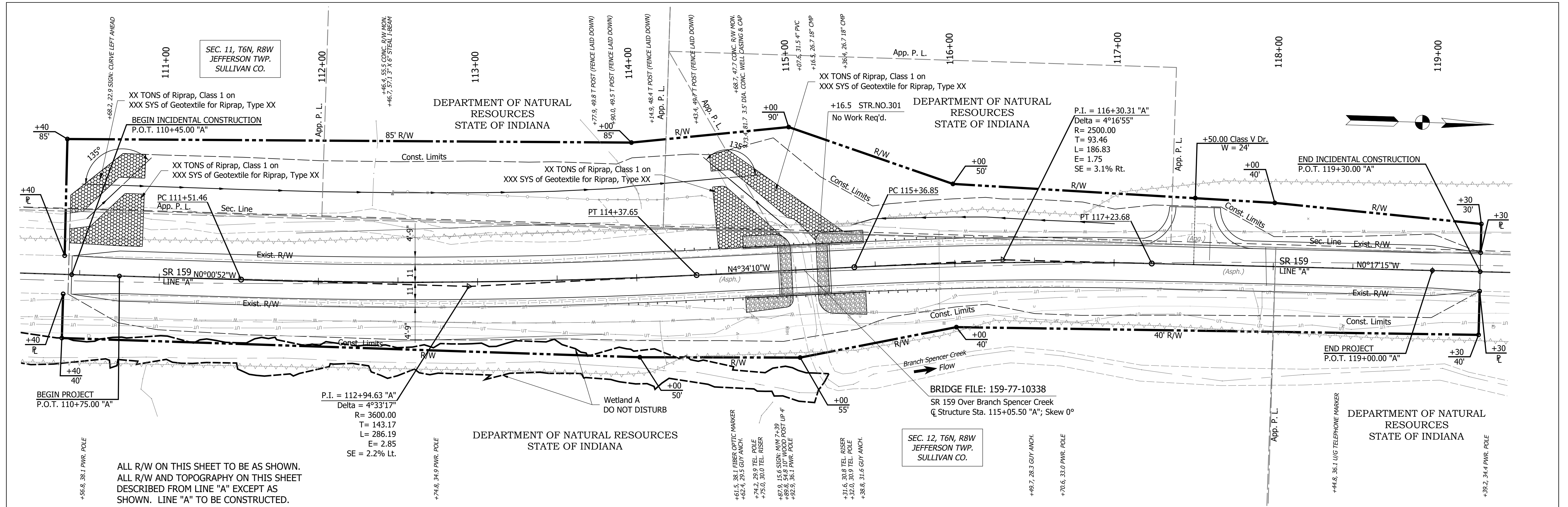
Date: Jan 15, 2020, 10:27am User Name: Tracy File: S:_2017\117-0051\BDD\Bridges\CAD\Plans\Typical.dwg

RECOMMENDED FOR APPROVAL	DESIGN ENGINEER	DATE
DESIGNED: JAW 10/2019	DRAWN: TAM 10/2019	
CHECKED: ACS 10/2019	CHECKED: JAW 10/2019	

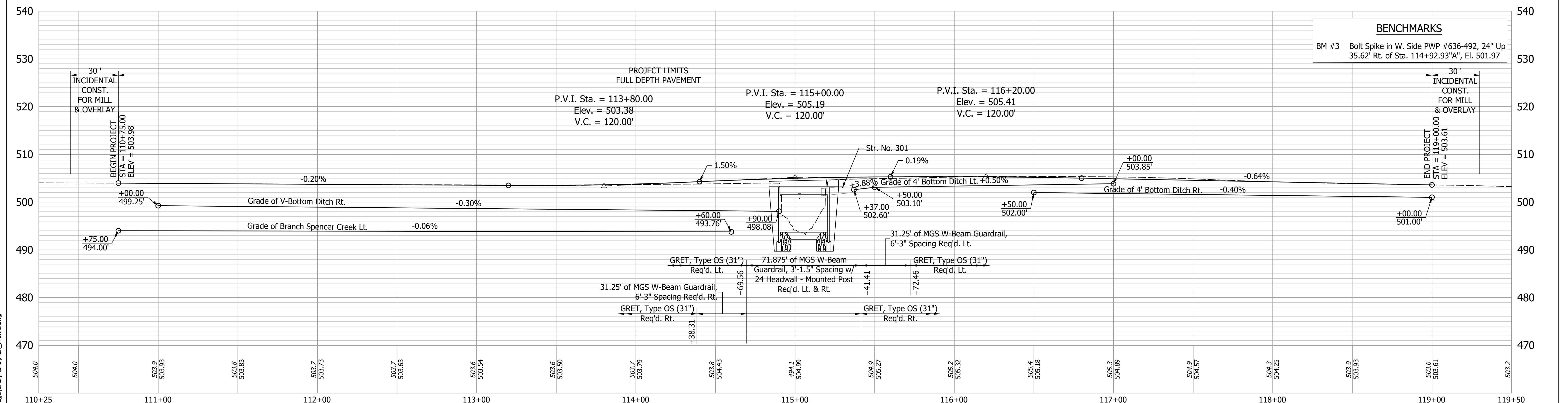
INDIANA DEPARTMENT OF TRANSPORTATION

TYPICAL CROSS SECTIONS

HORIZONTAL SCALE	BRIDGE FILE
5/16" = 1'-0"	159-77-10338
VERTICAL SCALE	DESIGNATION
5/16" = 1'-0"	1700148
SURVEY BOOK	SHEET
ELECTRONIC	4 of 20
CONTRACT	PROJECT
B-40555	1700148

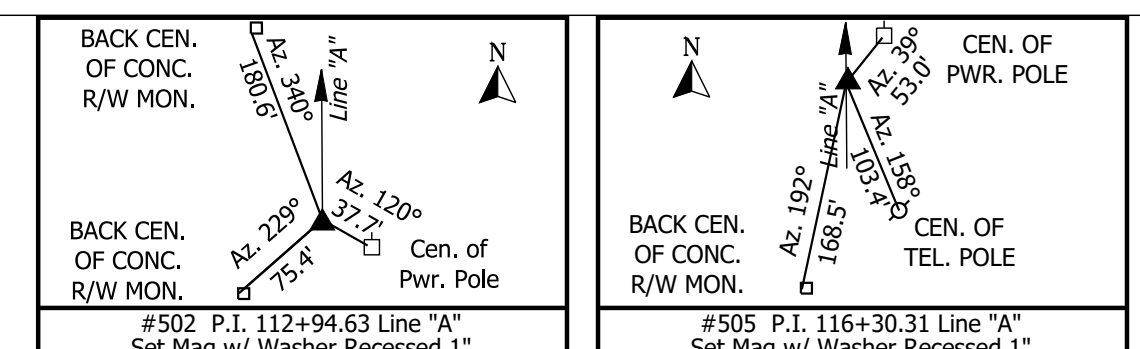


ALL R/W ON THIS SHEET TO BE AS SHOWN.
ALL R/W AND TOPOGRAPHY ON THIS SHEET
DESCRIBED FROM LINE "A" EXCEPT AS
SHOWN. LINE "A" TO BE CONSTRUCTED.



BENCHMARKS	
BM #3	Bolt Spike in W. Side PWP #636-492, 24" Up 35.62' Rt. of Sta. 114+92.93"A", El. 501.97

Date: Jan 15, 2020, 10:27am User Name: Tracy
File: S:_2017\117-10051\BDD\Bridges\CAD\Plans\Plan_Profile.dwg



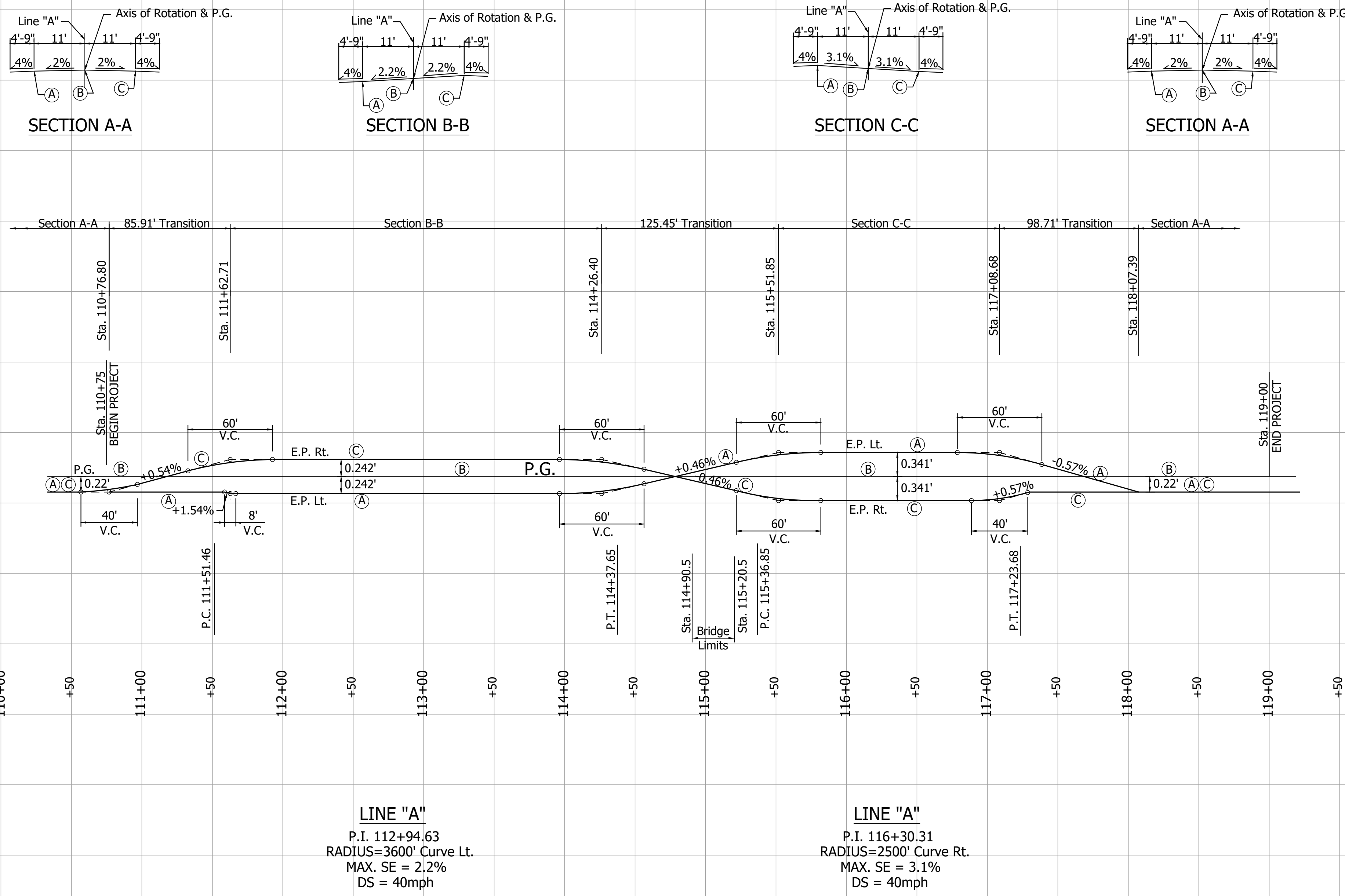
RECOMMENDED FOR APPROVAL	DESIGN ENGINEER	DATE
DESIGNED: JAW 10/2019	DRAWN: TAM 10/2019	
CHECKED: ACS 10/2019	CHECKED: ACS 10/2019	

INDIANA
DEPARTMENT OF TRANSPORTATION

PLAN AND PROFILE LINE "A"

HORIZONTAL SCALE	BRIDGE FILE
1"=30'	159-77-10338
VERTICAL SCALE	DESIGNATION
1"=10'	1700148
SURVEY BOOK	SHEET
ELECTRONIC	6 of 20
CONTRACT	PROJECT
B-40555	1700148

Date: Jan 15, 2020, 10:27am User Name: Tracy
 File: S:_2017\117-0051\BDD\BDD\Bridges\CAD\Plans\SE_Trans.dwg

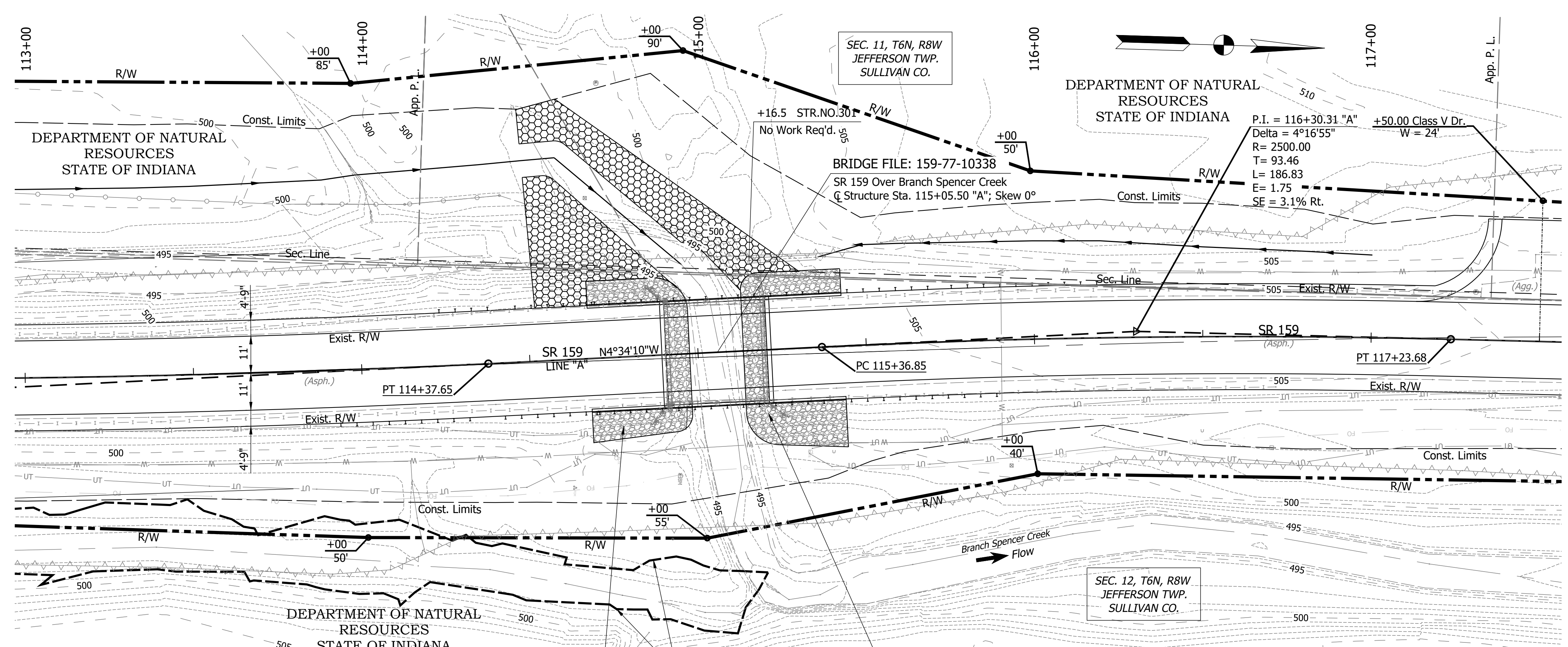


RECOMMENDED FOR APPROVAL	DESIGN ENGINEER	DATE
DESIGNED: JAW 10/2019	DRAWN: TAM 10/2019	
CHECKED: ACS 10/2019	CHECKED: JAW 10/2019	

INDIANA
 DEPARTMENT OF TRANSPORTATION

SUPERELEVATION TRANSITION DIAGRAM

HORIZONTAL SCALE	BRIDGE FILE
1"=50'	159-77-10338
VERTICAL SCALE	DESIGNATION
1"=1'	1700148
SURVEY BOOK	SHEET
ELECTRONIC	7 of 20
CONTRACT	PROJECT
B-40555	1700148



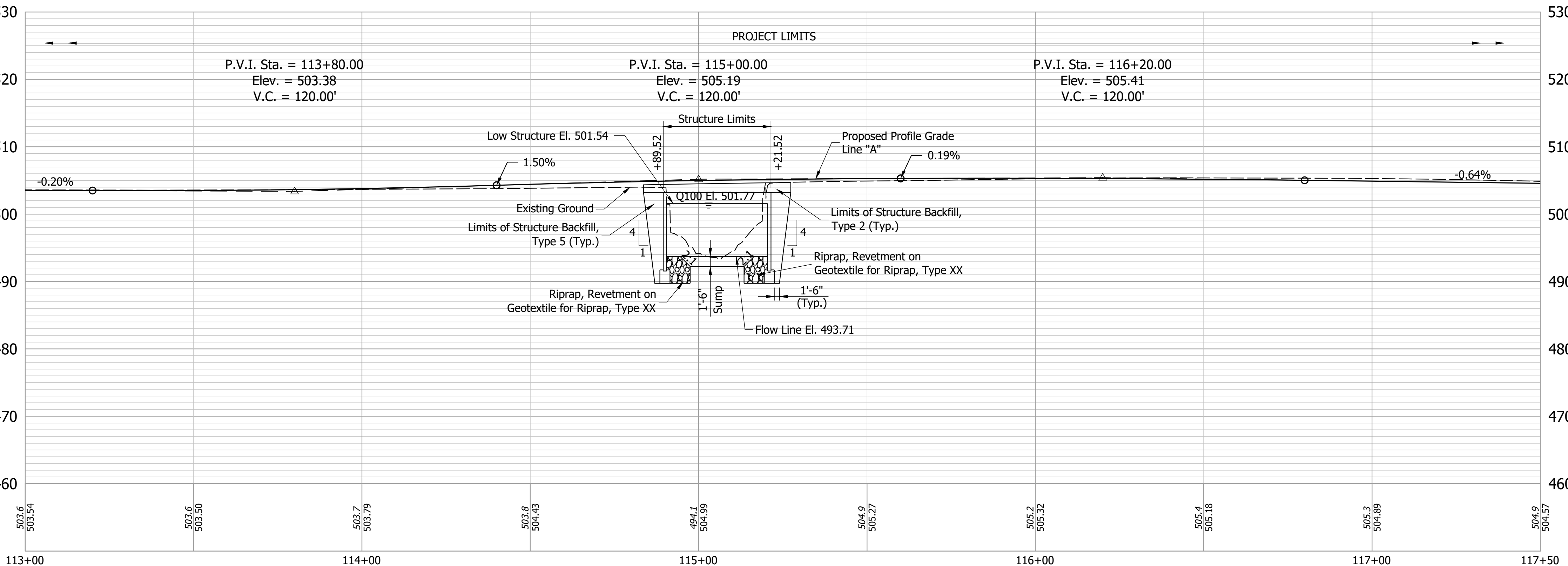
EXISTING STRUCTURE
 The existing structure (159-77-05955 B) is a single span prestressed concrete adjacent box beam bridge built in 1968 with a 28.0' span and a 28.3' clear roadway.
 Existing structure to be removed.

DENOTES LIMITS OF RIPRAP, REVETMENT ON GEOTEXTILE FOR RIPRAP, TYPE XX
 DENOTES LIMITS OF RIPRAP, CLASS 1 ON GEOTEXTILE FOR RIPRAP, TYPE XX

HYDRAULIC DATA

Drainage Area	=2.20 sq. mi.
Waterway Opening Required	=227.0 sq. ft.
Waterway Opening Provided	=234.9 sq. ft.
Q100 Discharge	=1090 cu.ft./sec.
Q100 Elevation	=501.77 ft.
Proposed Velocity	=5.15 ft./sec.
Proposed Backwater Depth (Q100)	=0.34 ft.
Existing Waterway Opening	=172.0 sq. ft.
Existing Velocity	=8.54 ft./sec.
Existing Backwater Depth (Q100)	=0.96 ft.
Minimum Low Structure Elev.	=501.51 ft.

ALL R/W ON THIS SHEET TO BE AS SHOWN.
 ALL R/W ON THIS SHEET DESCRIBED FROM LINE "A" EXCEPT AS SHOWN.
 XX TONS of Riprap, Revetment on XXX SYS of Geotextile for Riprap, Type XX
 Wetland A DO NOT DISTURB
 XXX TONS of Riprap, Revetment on XXX SYS of Geotextile for Riprap, Type XX



HYDRAULIC DATA (ARCH TOP ALTERNATE)

Drainage Area	=2.20 sq. mi.
Waterway Opening Required	=202.0 sq. ft.
Q100 Discharge	=1090 cu.ft./sec.
Q100 Elevation	=501.77 ft.
Proposed Velocity	=6.15 ft./sec.
Proposed Backwater Depth (Q100)	=0.55 ft.
Minimum Low Structure Elev.	=501.51 ft.

PRECAST REINFORCED CONCRETE THREE-SIDED STRUCTURE
 1 SPAN @ 30'-0"; 10'-0" RISE
 CLEAR ROADWAY: 31'-6"
 SKEW: 0°
 SR 159 OVER BRANCH SPENCER CREEK
 SULLIVAN COUNTY

Date: Jan 15, 2020, 10:27am User Name: Tracy
 File: S:_2017\117-0051\BRIDGE\Plans\Layout_Sht.dwg

RECOMMENDED FOR APPROVAL	DESIGN ENGINEER	DATE
DESIGNED: ACS 10/2019	DRAWN: TAM 10/2019	
CHECKED: MAR 10/2019	CHECKED: ACS 10/2019	

INDIANA
 DEPARTMENT OF TRANSPORTATION
 LAYOUT

HORIZONTAL SCALE	BRIDGE FILE
1"=20'	159-77-10338
VERTICAL SCALE	DESIGNATION
1"=10'	1700148
SURVEY BOOK	SHEET
ELECTRONIC	8 of 20
CONTRACT	PROJECT
B-40555	1700148

TYPICAL ROAD CROSS SECTION

See Sheet No. 3 & 4

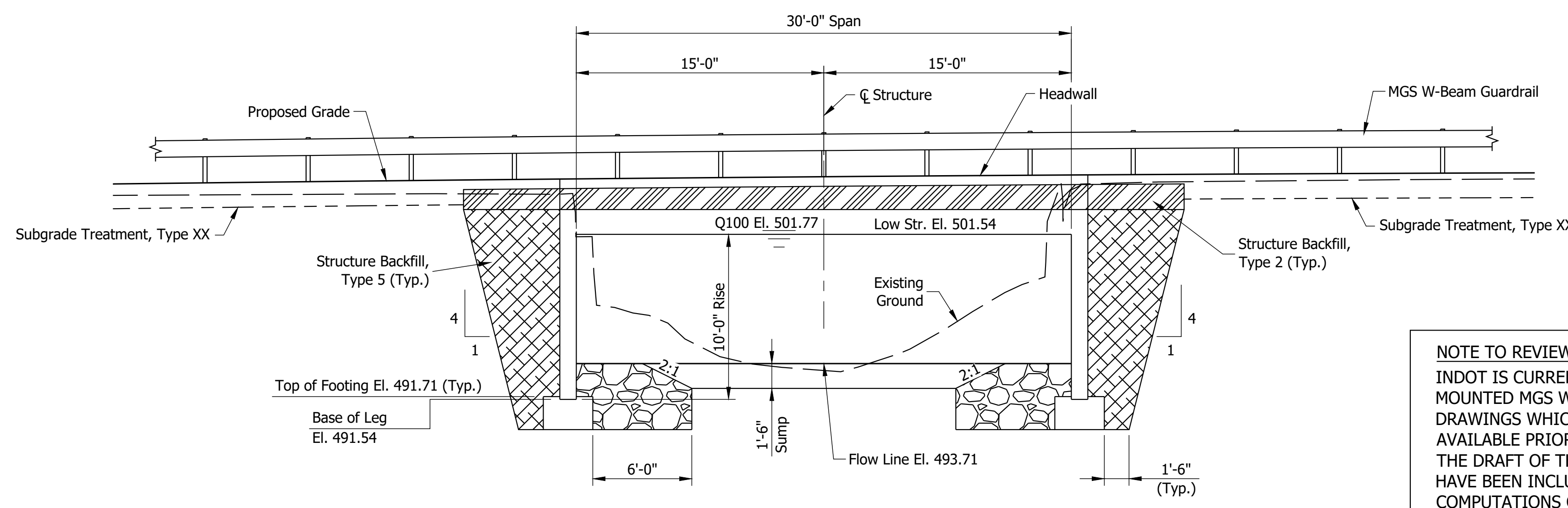
DESIGN DATA

Live Load: Designed for HL-93 loading in accordance with AASHTO LRFD Bridge Design Specifications, Eighth Edition, 2017, and all subsequent interims.
 Dead Load: Actual weight plus 35 lbs/ft² for future wearing surface

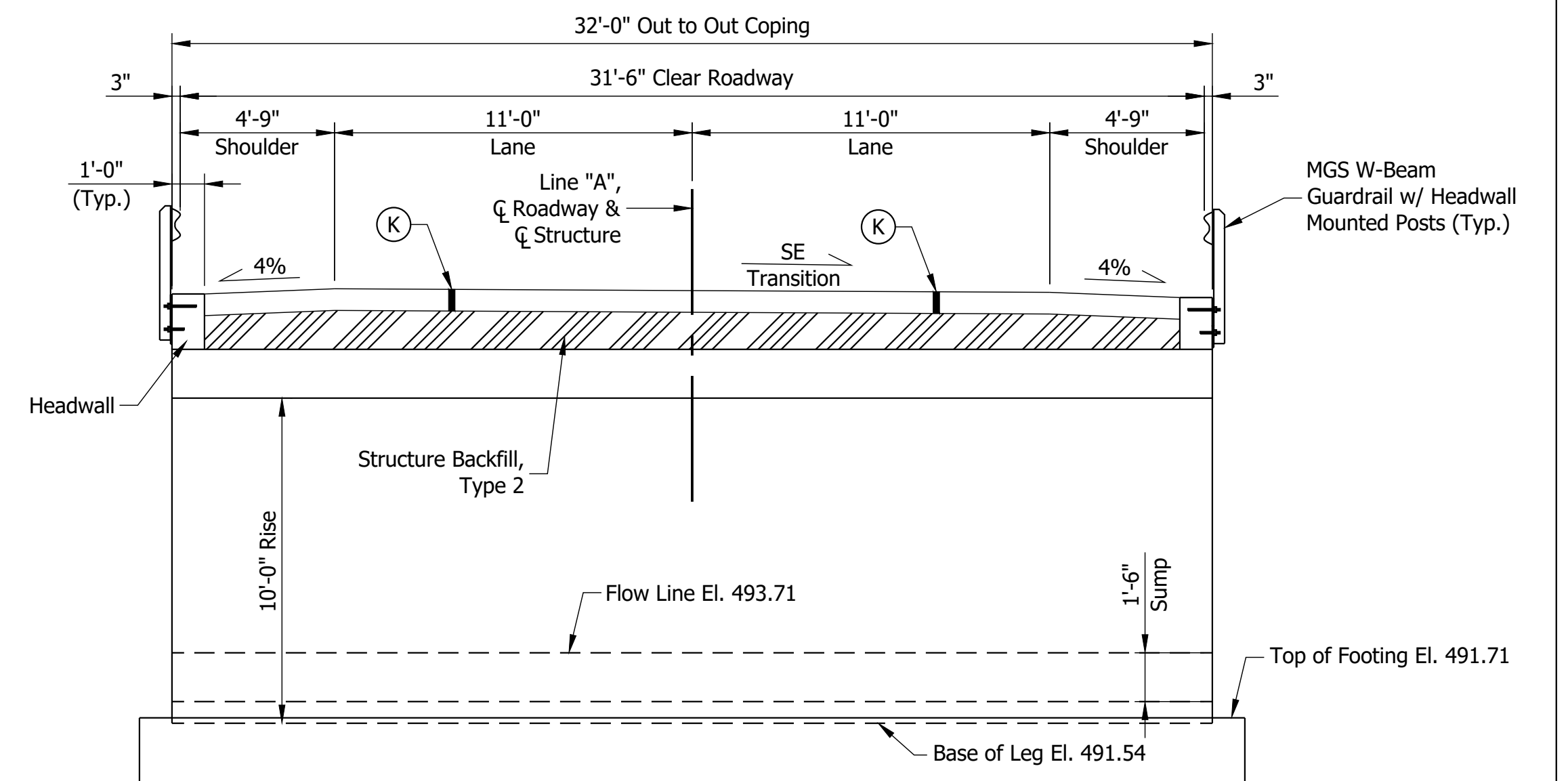
GENERAL NOTES

1. An alternate arch top, precast reinforced concrete three-sided structure with a 32 ft perpendicular span and a 10 ft rise may be substituted for the structure shown on the Layout sheet.
2. A true-arch structure will not be permitted at this location.
3. The Contractor shall verify the existing flowline elevation to set the appropriate sump depth.
4. Revetment Riprap and Geotextile for Riprap, Type XX shall be placed as scour protection. See Sheet 8 for quantities.
5. Headwalls and wingwalls shall be designed for Mounted MGS W-Beam Guardrail. For additional details, see INDOT Std. Drwg. 601-MGSA-24 thru 601-MGSA-28.

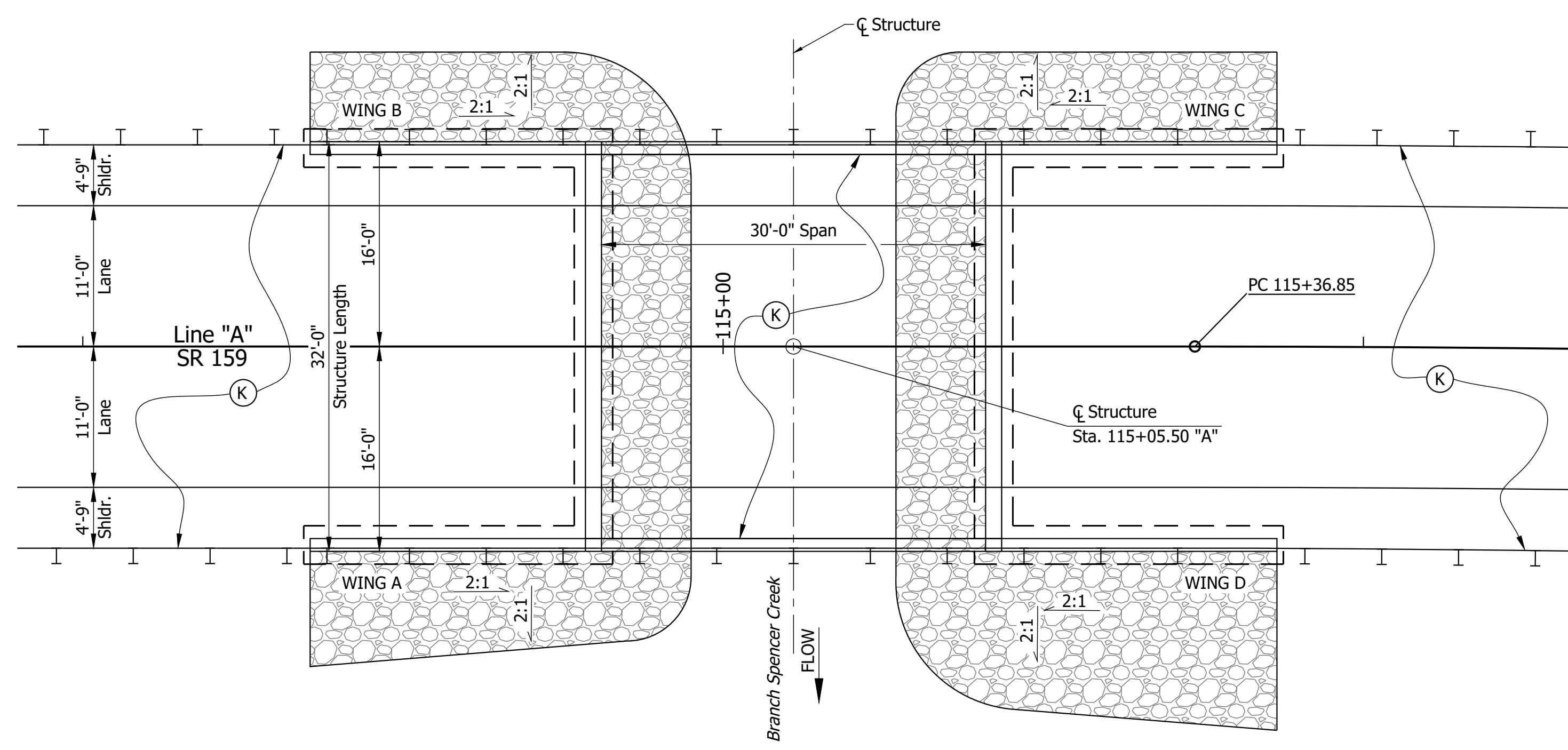
NOTE TO REVIEWER:
 INDOT IS CURRENTLY DEVELOPING HEADWALL MOUNTED MGS W-BEAM GUARDRAIL STANDARD DRAWINGS WHICH ARE ANTICIPATED TO BE AVAILABLE PRIOR TO THIS PROJECT'S LETTING. THE DRAFT OF THESE STANDARD DRAWINGS HAVE BEEN INCLUDED IN THE DESIGN COMPUTATIONS OF THIS SUBMISSION.



ELEVATION
 SCALE: 3/16" = 1'-0"



TYPICAL SECTION
 SCALE: 1/4" = 1'-0"



PLAN
 SCALE: 1/8" = 1'-0"

LEGEND

(K) HMA Pavement

DENOTES LIMITS OF RIPRAP, REVETMENT ON GEOTEXTILE FOR RIPRAP, TYPE XX

NOTE TO REVIEWER:
 GEOTEXTILE FOR RIPRAP TYPE WILL BE ADDED TO PLANS ONCE GEOTECHNICAL REPORT IS RECEIVED AND PRIOR TO STAGE 3 SUBMISSION.

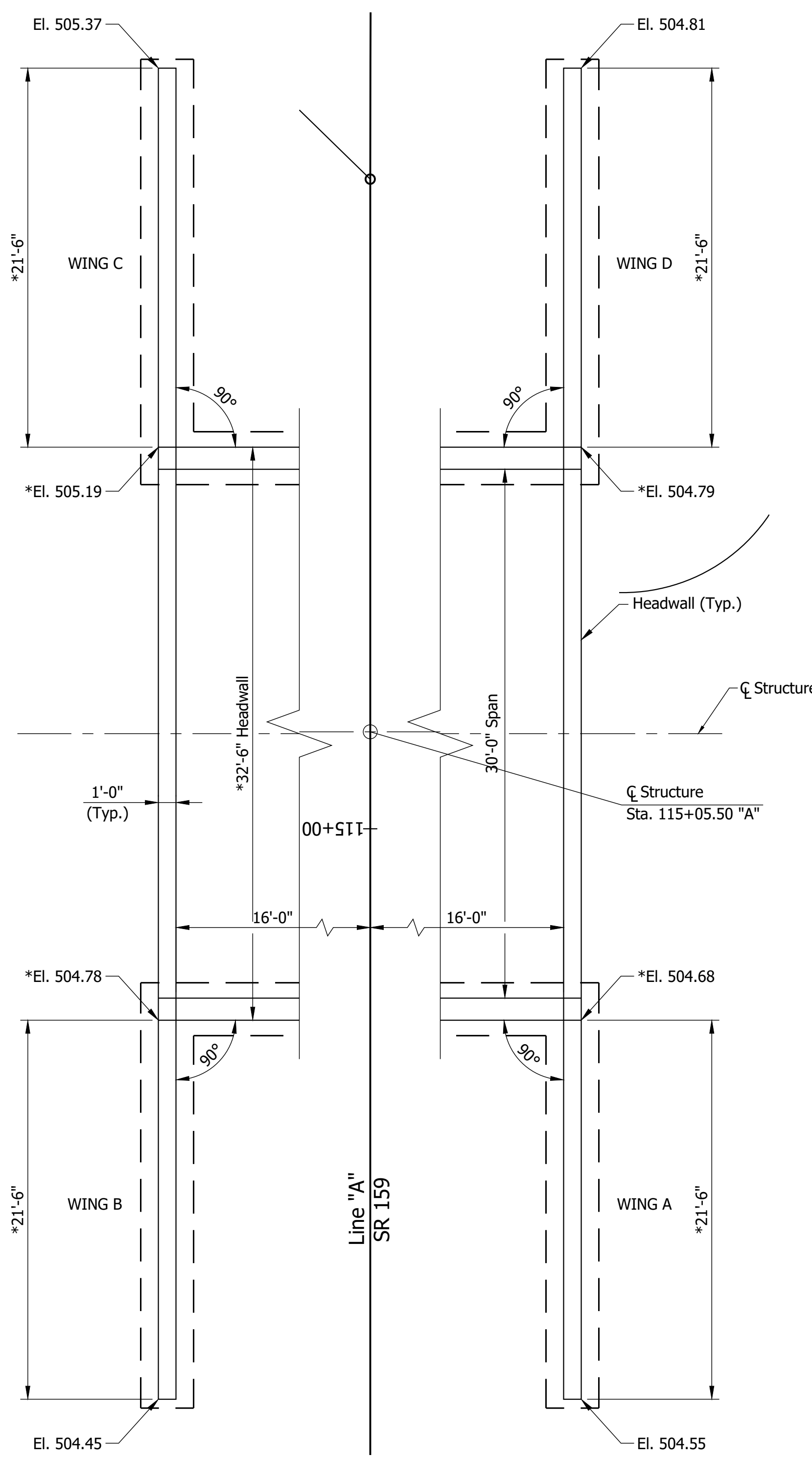
PRECAST REINFORCED CONCRETE THREE-SIDED STRUCTURE
 1 SPAN @ 30'-0"; 10'-0" RISE
 CLEAR ROADWAY: 31'-6"
 SKEW: 0°
 SR 159 OVER BRANCH SPENCER CREEK
 SULLIVAN COUNTY

Date: Jan 15, 2020, 10:27am User Name: Tracy
 File: S:_2017\17-0051 (RBD) Bridge CAD Plans (Goplan.dwg)

RECOMMENDED FOR APPROVAL	DESIGN ENGINEER	DATE
DESIGNED: ACS	10/2019	DRAWN: VCH 10/2019
CHECKED: MAR	10/2019	CHECKED: ACS 10/2019

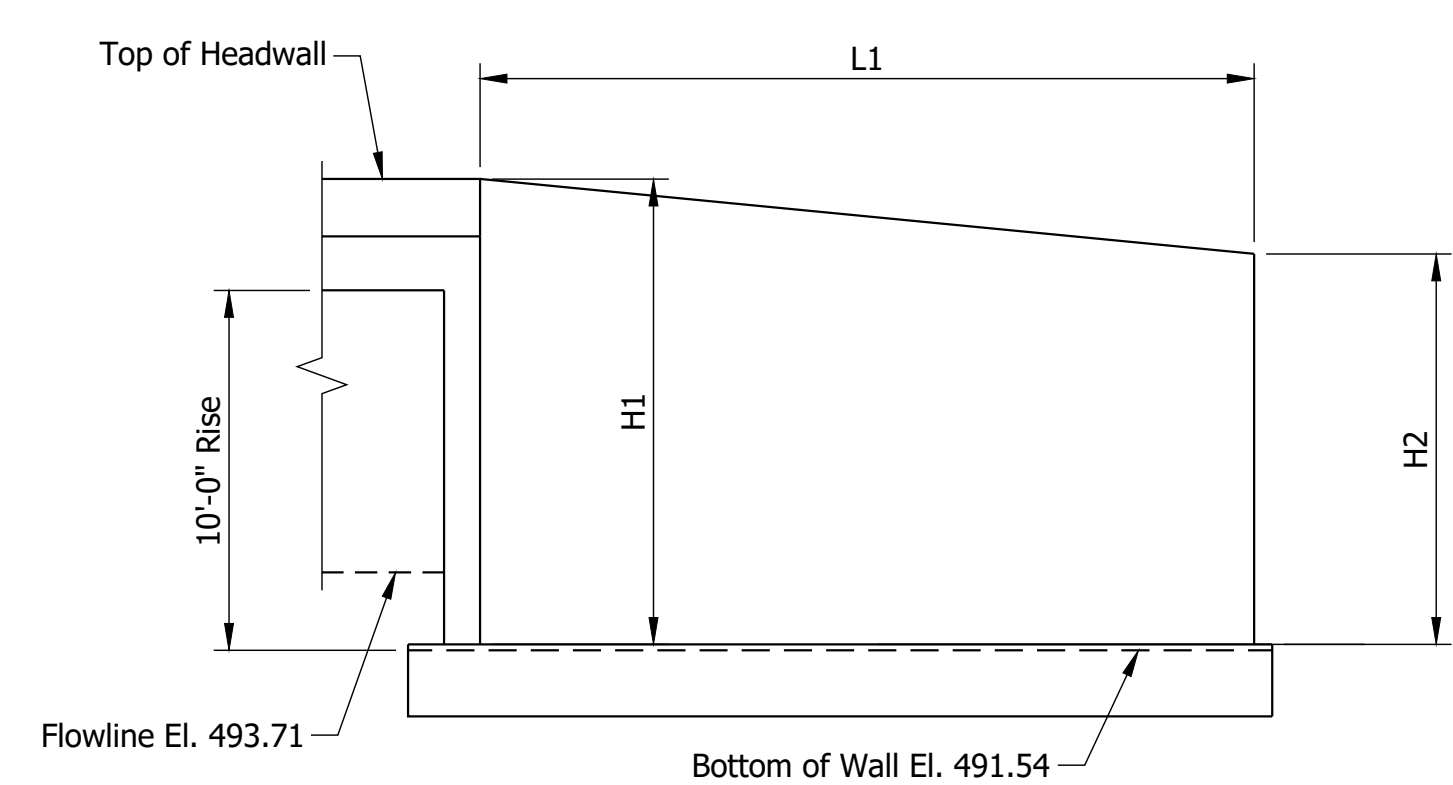
INDIANA DEPARTMENT OF TRANSPORTATION	
GENERAL PLAN	

HORIZONTAL SCALE	BRIDGE FILE
AS SHOWN	159-77-10338
VERTICAL SCALE	DESIGNATION
AS SHOWN	1700148
SURVEY BOOK	SHEET
ELECTRONIC	9 of 20
CONTRACT	PROJECT
B-40555	1700148



HEADWALL & WINGWALL PLAN
SCALE: 3/16" = 1'-0"

* Wingwall and headwall lengths are based on the assumption that the three-sided structure has 1'-3" thick legs. Adjustments shall be made to the wingwall lengths, headwall lengths, and elevations if the three-sided structure's legs differ in thickness from 1'-3"



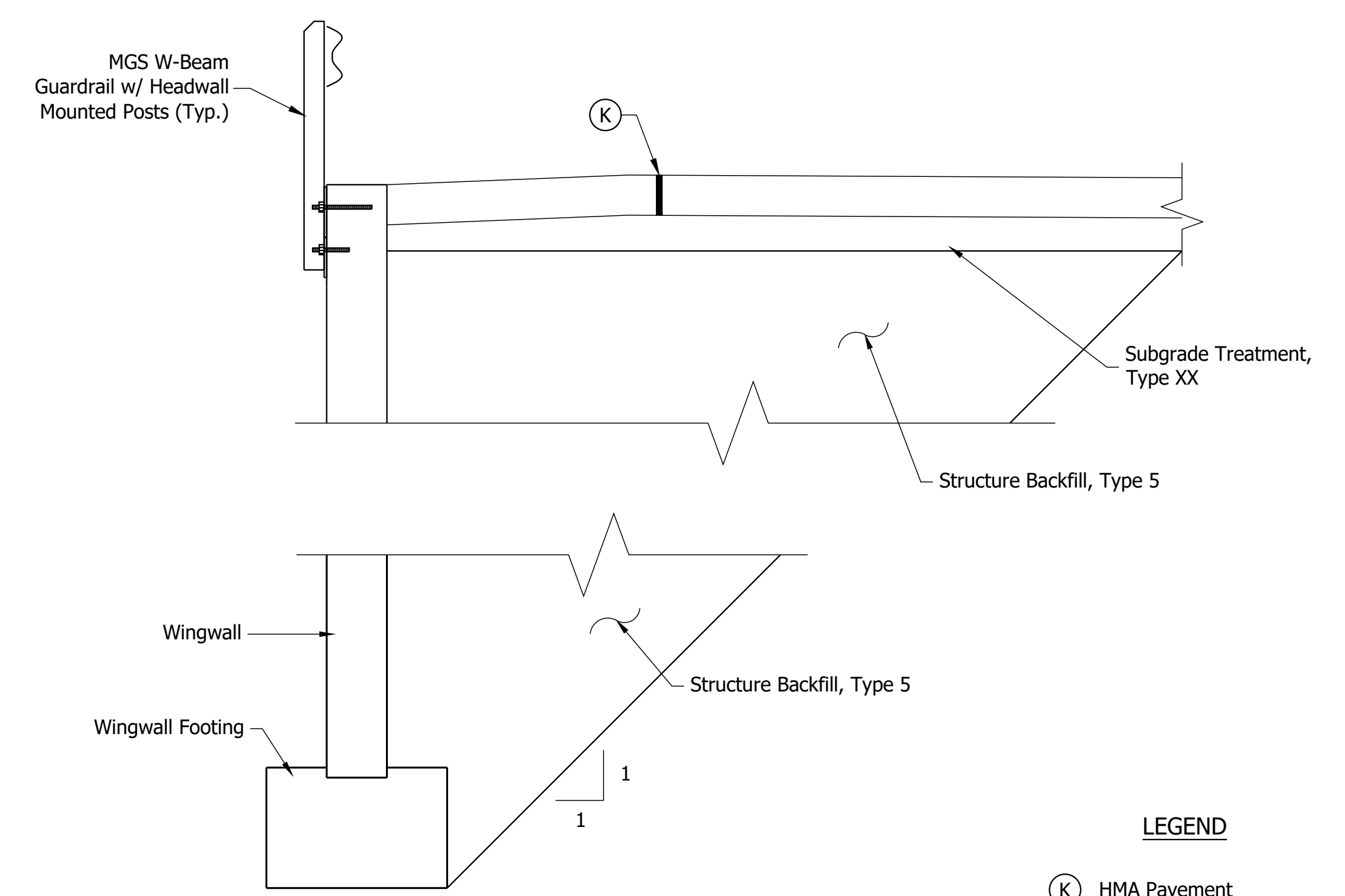
WINGWALL ELEVATION
SCALE: 3/16" = 1'-0"

*WINGWALL TABLE				
WING	H1	H2	L1	AREA
A	12.8'	12.67'	21.5'	273.8 SFT
B	12.9'	12.57'	21.5'	273.8 SFT
C	13.31'	13.49'	21.5'	288.1 SFT
D	12.91'	12.93'	21.5'	277.8 SFT

SUMMARY OF BRIDGE QUANTITIES

ITEM	RIPRAP, REVETMENT	STRUCTURE BACKFILL, TYPE 5	GEOTEXTILE FOR RIPRAP, TYPE XX	STRUCTURE, REINFORCED CONCRETE 3 - SIDED SECTIONS 360 In. x 118 In.	STRUCTURE BACKFILL, TYPE 2	EXCAVATION, FOUNDATION, UNCLASSIFIED	EXCAVATION, X	*SURFACE SEAL
	TONS	CYS	SYS	LFT	CYS	CYS	CYS	SFT
Structure, Coated Reinforced Concrete Three-Sided Sections, 360 In x 120 In	XXX	XXX.X	XXX	XX	XX	XXX	X	XXXX
Wingwalls		XXX.X						
TOTALS:	XXX	XXX.X	XXX	XX	XX	XXX	X	XXXX

* ESTIMATED QUANTITY LUMP SUM ITEM



WINGWALL BACKFILL
SCALE: 1/2" = 1'-0"

SOIL PARAMETERS FOR WINGWALL DESIGN	
Factored Bearing Resistance (Qr)	X,XXXpsf
Angle of Internal Friction of Backfill	XX°
Nominal Friction Factor between Soil and Footing (Tan δ)	X.XX
Ultimate Cohesion of Foundation Soil (c)	X,XXXpsf
Ultimate Adhesion of Foundation Soil (Ca)	X,XXXpsf
Foundation Soil Internal Angle of Friction (φ)	X°
Nominal Bearing Resistance (Qn)	XX,XXXpsf
Resistance Factor (φb)	X.XX

Date: Jan 15, 2020, 10:27am User Name: Tracy
File: S:_2017\17-0051\BDD\Bridges\CAD\Plans\Gorplan.dwg

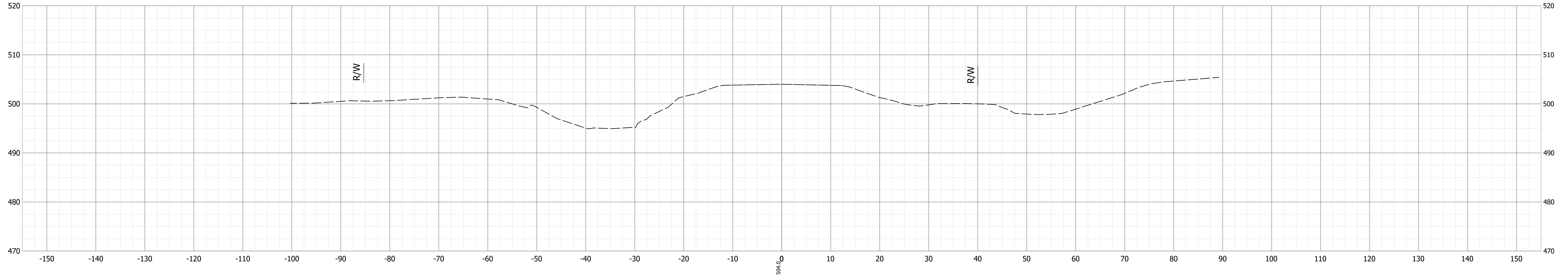
RECOMMENDED FOR APPROVAL	DESIGN ENGINEER	DATE
DESIGNED: ACS	10/2019	DRAWN: VCH 10/2019
CHECKED: MAR	10/2019	CHECKED: ACS 10/2019

INDIANA DEPARTMENT OF TRANSPORTATION
GENERAL PLAN

HORIZONTAL SCALE	BRIDGE FILE
AS SHOWN	159-77-10338
VERTICAL SCALE	DESIGNATION
AS SHOWN	1700148
SURVEY BOOK	SHEET
ELECTRONIC	10 of 20
CONTRACT	PROJECT
B-40555	1700148

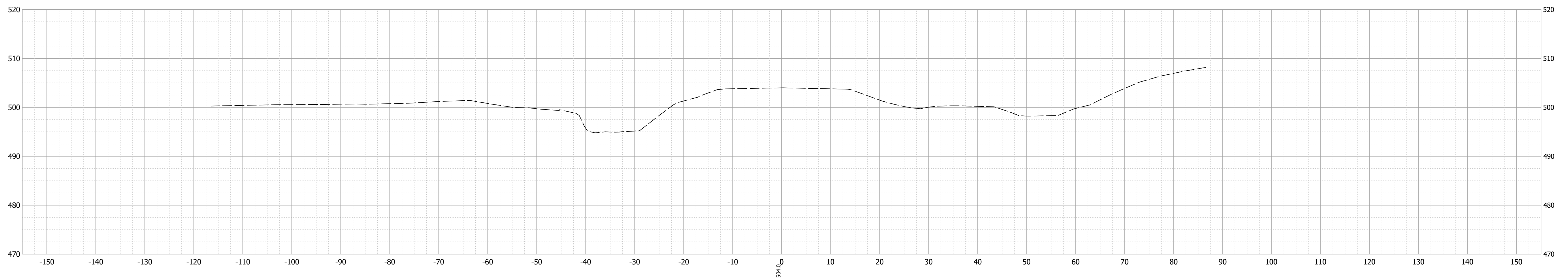
Begin Project
STATION 110+75.00

110+50



Begin Incidental Construction
STATION 110+45.00

110+00



Date: Jan 15, 2020, 10:28am User Name: Tracy
File: S:_2017\17-0051\BBD\Bridges\CAD\Bases\Corridor_new.dwg

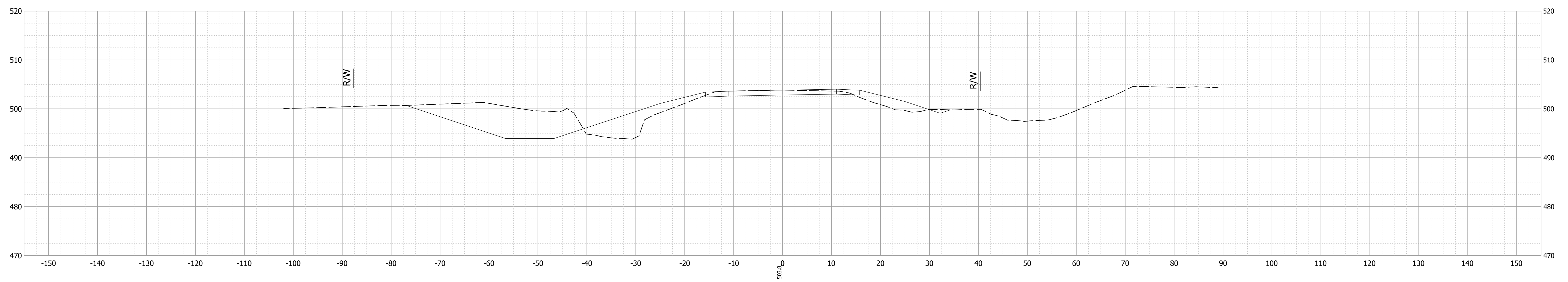
RECOMMENDED FOR APPROVAL	DESIGN ENGINEER	DATE
DESIGNED: JAW 10/2019	DRAWN: TAM 10/2019	
CHECKED: ACS 10/2019	CHECKED: JAW 10/2019	

INDIANA
DEPARTMENT OF TRANSPORTATION

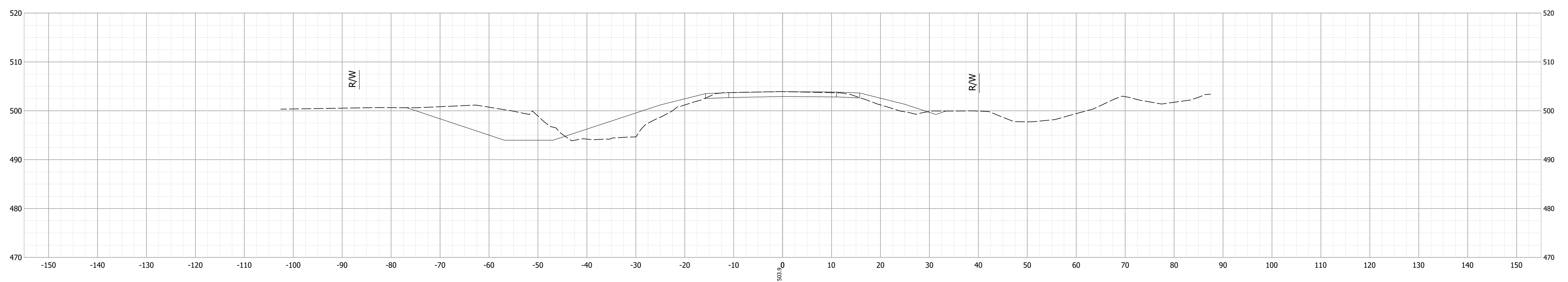
CROSS SECTIONS LINE "A"

HORIZONTAL SCALE	BRIDGE FILE
1"=10'	159-77-10338
VERTICAL SCALE	DESIGNATION
1"=10'	1700148
SURVEY BOOK	SHEET
ELECTRONIC	11 of 20
CONTRACT	PROJECT
B-40555	1700148

111+50



111+00



Date: Jan 15, 2020, 10:28am User Name: Tracy
File: S:_2017\17-0051\BBD\Bridges\CAD\Bases\Corridor_new.dwg

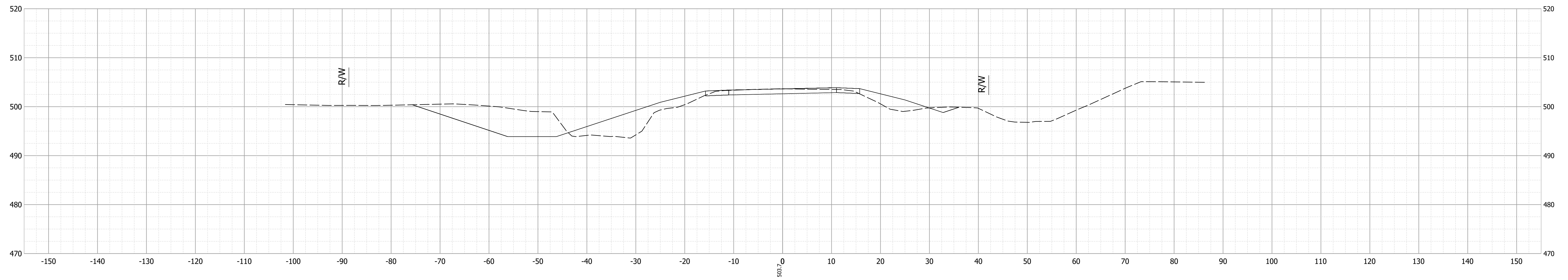
RECOMMENDED FOR APPROVAL	DESIGN ENGINEER	DATE
DESIGNED: JAW 10/2019	DRAWN: TAM 10/2019	
CHECKED: ACS 10/2019	CHECKED: JAW 10/2019	

INDIANA
DEPARTMENT OF TRANSPORTATION

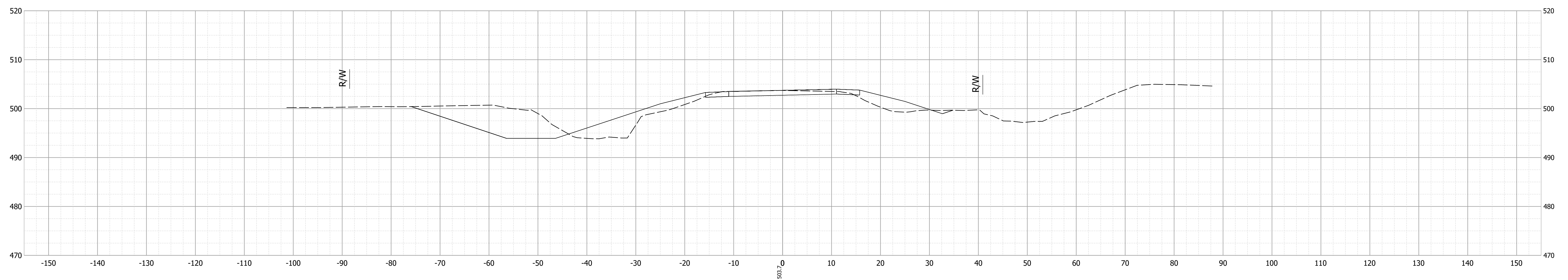
CROSS SECTIONS LINE "A"

HORIZONTAL SCALE	BRIDGE FILE
1"=10'	159-77-10338
VERTICAL SCALE	DESIGNATION
1"=10'	1700148
SURVEY BOOK	SHEET
ELECTRONIC	12 of 20
CONTRACT	PROJECT
B-40555	1700148

112+50



112+00



Date: Jan 15, 2020, 10:28am User Name: Tracy
File: S:_2017\17-0051\BBD\Bridge\CAD\Bases\Corridor_new.dwg

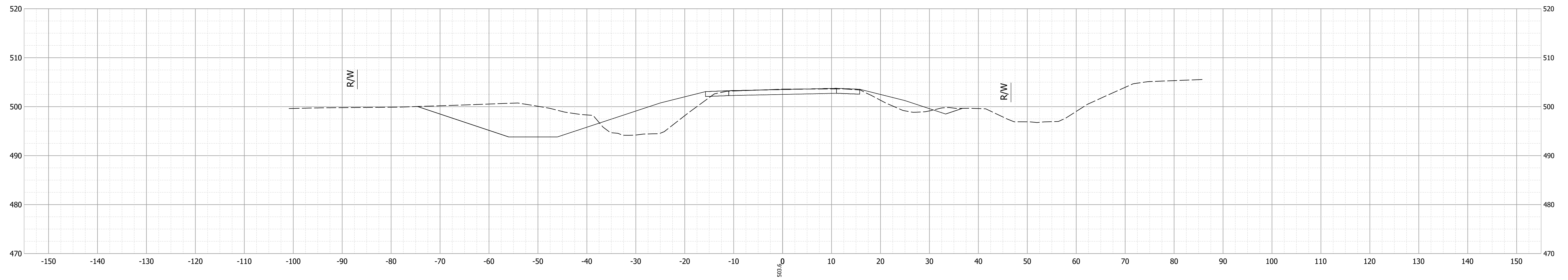
RECOMMENDED FOR APPROVAL	DESIGN ENGINEER	DATE
DESIGNED: JAW 10/2019	DRAWN: TAM 10/2019	
CHECKED: ACS 10/2019	CHECKED: JAW 10/2019	

INDIANA
DEPARTMENT OF TRANSPORTATION

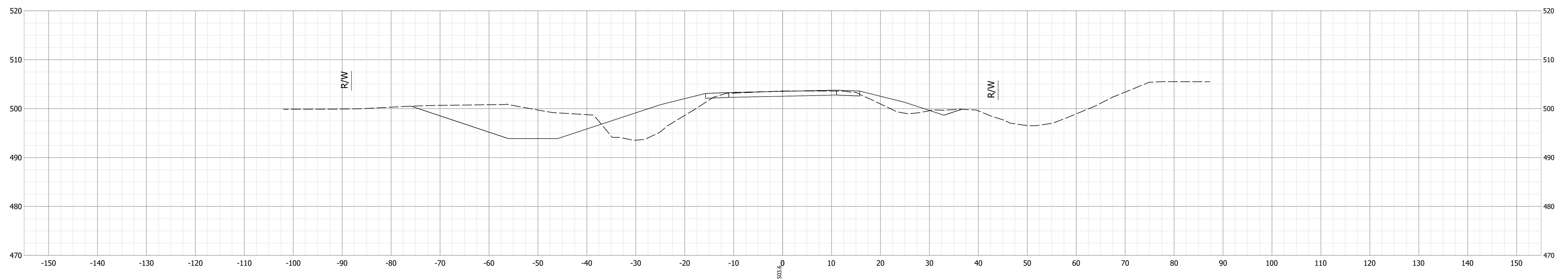
CROSS SECTIONS LINE "A"

HORIZONTAL SCALE	BRIDGE FILE
1"=10'	159-77-10338
VERTICAL SCALE	DESIGNATION
1"=10'	1700148
SURVEY BOOK	SHEET
ELECTRONIC	13 of 20
CONTRACT	PROJECT
B-40555	1700148

113+50



113+00



Date: Jan 15, 2020, 10:28am User Name: Tracy
File: S:_2017\17-0051\BBD\Bridges\CAD\Bases\Corridor_new.dwg

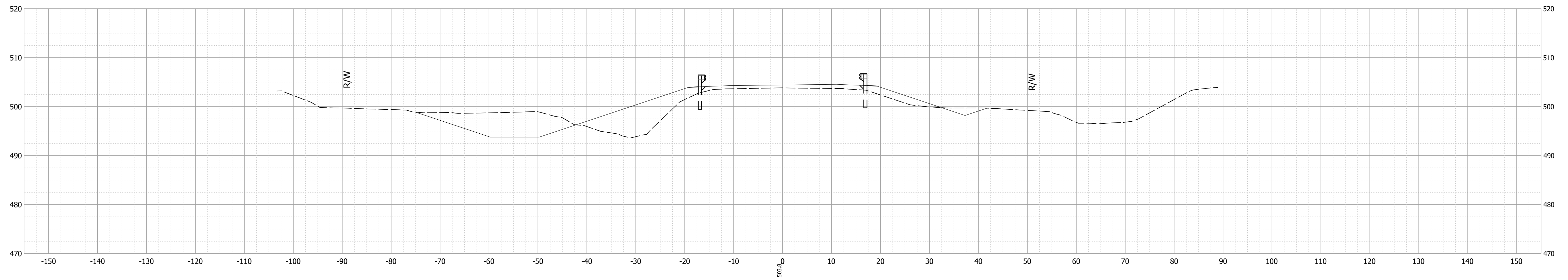
RECOMMENDED FOR APPROVAL	DESIGN ENGINEER	DATE
DESIGNED: JAW 10/2019	DRAWN: TAM 10/2019	
CHECKED: ACS 10/2019	CHECKED: JAW 10/2019	

INDIANA
DEPARTMENT OF TRANSPORTATION

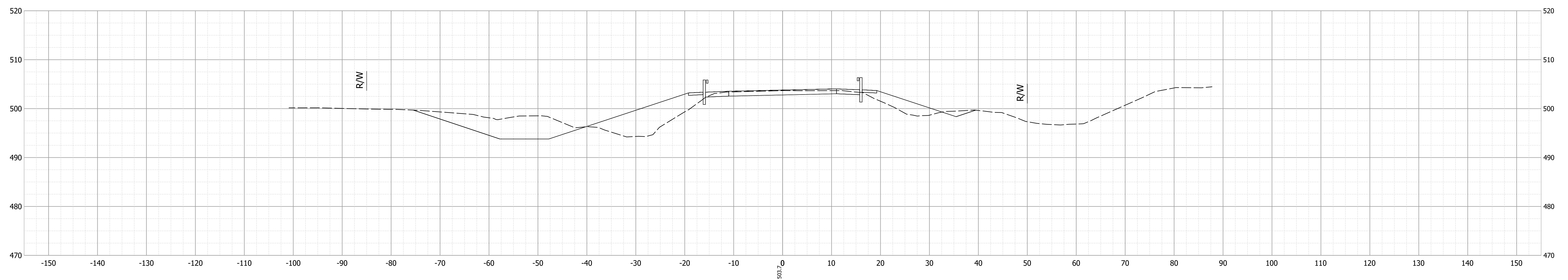
CROSS SECTIONS LINE "A"

HORIZONTAL SCALE	BRIDGE FILE
1"=10'	159-77-10338
VERTICAL SCALE	DESIGNATION
1"=10'	1700148
SURVEY BOOK	SHEET
ELECTRONIC	14 of 20
CONTRACT	PROJECT
B-40555	1700148

114+50



114+00



Date: Jan 15, 2020, 10:28am User Name: Tracy
File: S:_2017\17-0051\BBD\Bridges\CAD\Bases\Corridor_new.dwg

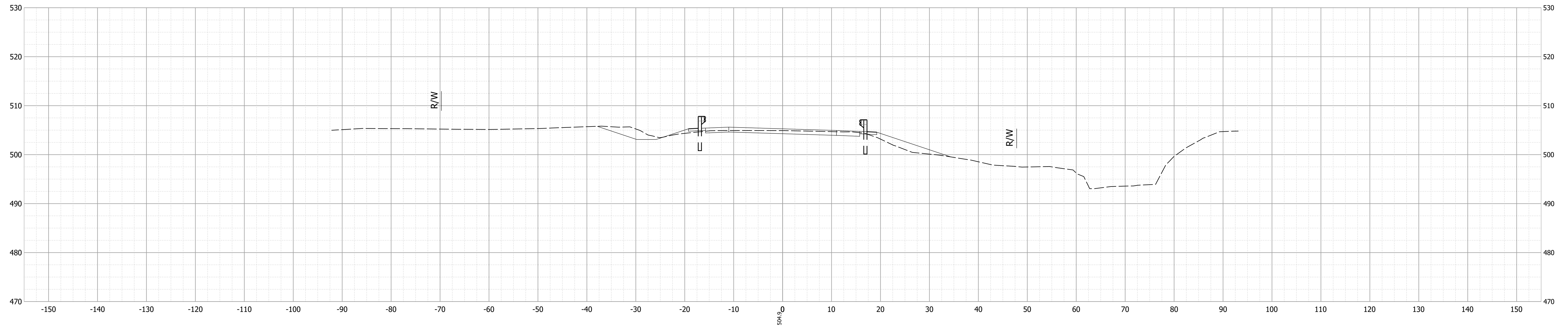
RECOMMENDED FOR APPROVAL	DESIGN ENGINEER	DATE
DESIGNED: JAW 10/2019	DRAWN: TAM 10/2019	
CHECKED: ACS 10/2019	CHECKED: JAW 10/2019	

INDIANA
DEPARTMENT OF TRANSPORTATION

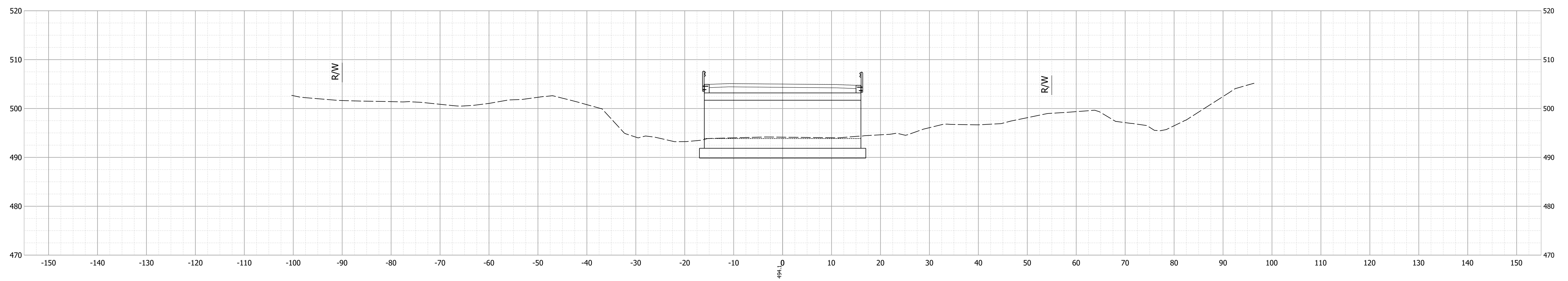
CROSS SECTIONS LINE "A"

HORIZONTAL SCALE	BRIDGE FILE
1"=10'	159-77-10338
VERTICAL SCALE	DESIGNATION
1"=10'	1700148
SURVEY BOOK	SHEET
ELECTRONIC	15 of 20
CONTRACT	PROJECT
B-40555	1700148

115+50



115+00



Date: Jan 15, 2020, 10:28am User Name: Tracy
File: S:_2017\17-0051\BBD\Bridges\CAD\Bases\Corridor_new.dwg

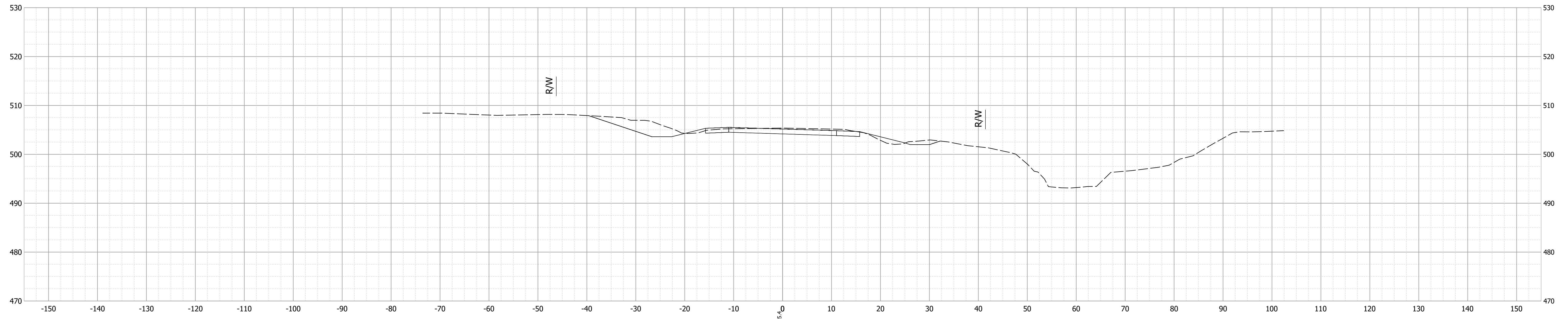
RECOMMENDED FOR APPROVAL	DESIGN ENGINEER	DATE
DESIGNED: JAW 10/2019	DRAWN: TAM 10/2019	
CHECKED: ACS 10/2019	CHECKED: JAW 10/2019	

INDIANA
DEPARTMENT OF TRANSPORTATION

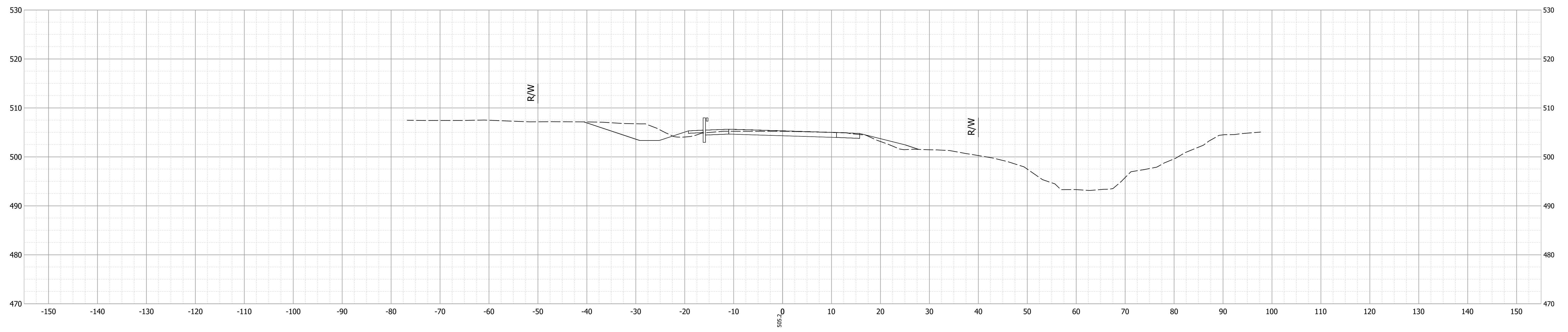
CROSS SECTIONS LINE "A"

HORIZONTAL SCALE	BRIDGE FILE
1"=10'	159-77-10338
VERTICAL SCALE	DESIGNATION
1"=10'	1700148
SURVEY BOOK	SHEET
ELECTRONIC	16 of 20
CONTRACT	PROJECT
B-40555	1700148

116+50



116+00



Date: Jan 15, 2020, 10:28am User Name: Tracy
File: S:_2017\17-0051\BBD\Bridge\CAD\Bases\Corridor_new.dwg

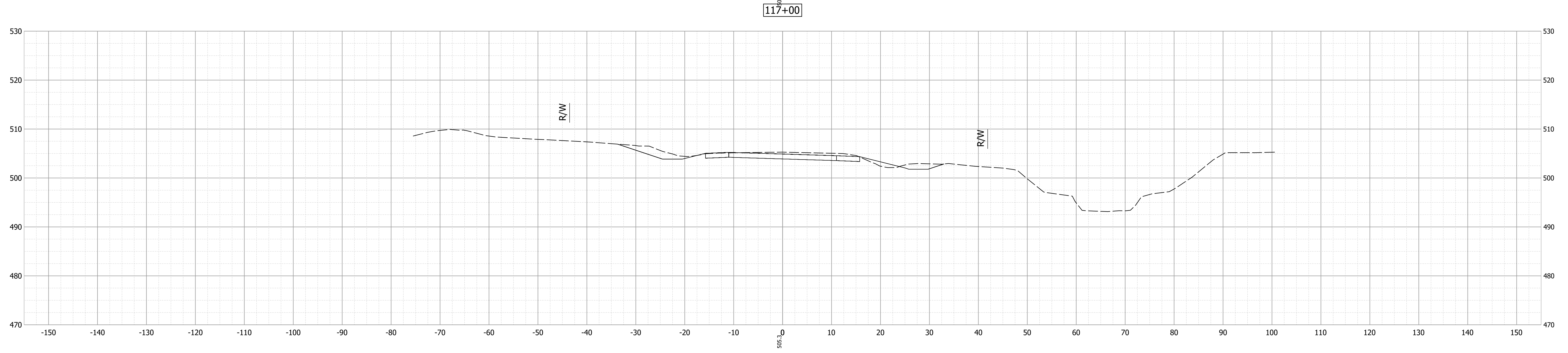
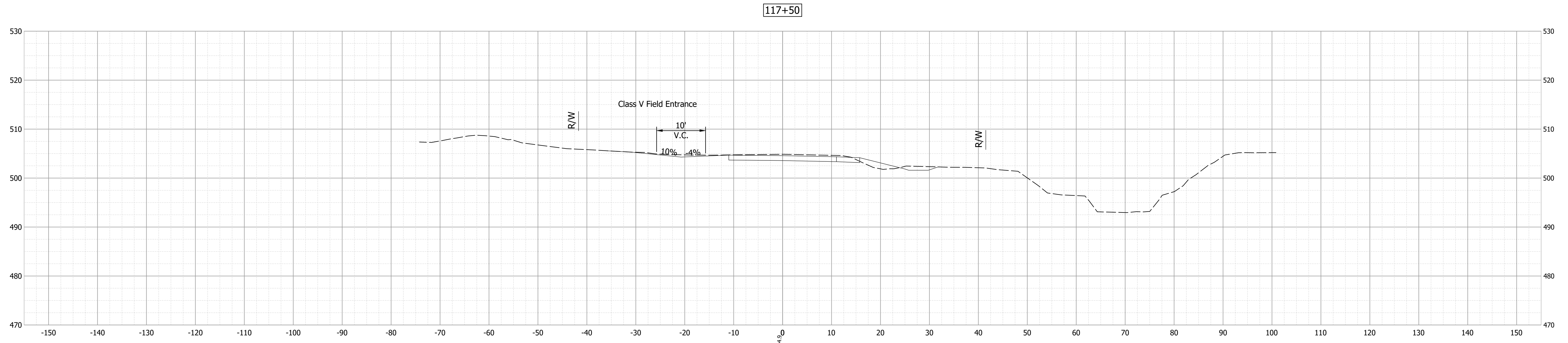
RECOMMENDED FOR APPROVAL	DESIGN ENGINEER	DATE
DESIGNED: JAW 10/2019	DRAWN: TAM 10/2019	
CHECKED: ACS 10/2019	CHECKED: JAW 10/2019	

**INDIANA
DEPARTMENT OF TRANSPORTATION**

CROSS SECTIONS LINE "A"

HORIZONTAL SCALE 1"=10'	BRIDGE FILE 159-77-10338
VERTICAL SCALE 1"=10'	DESIGNATION 1700148
SURVEY BOOK ELECTRONIC	SHEET 17 of 20
CONTRACT B-40555	PROJECT 1700148

Date: Jan 15, 2020, 10:28am User Name: Tracy
 File: S:_2017\17-0051\BBD\Bridges\CAD\Bases\Corridor_new.dwg



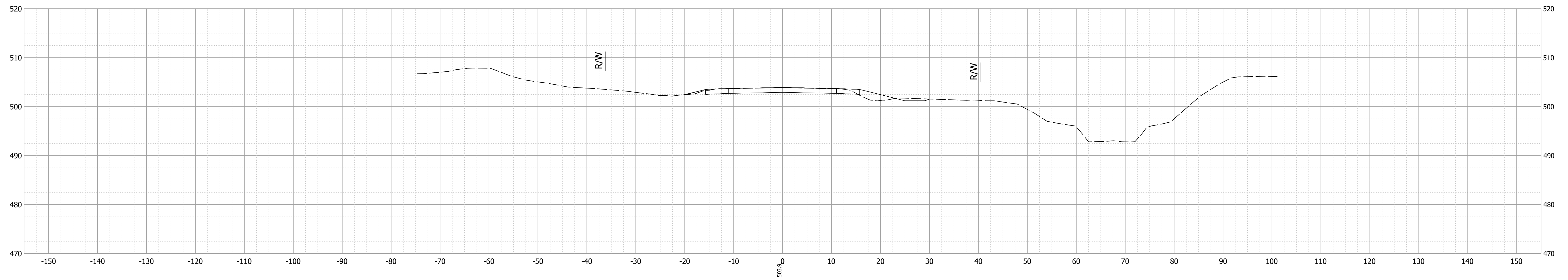
RECOMMENDED FOR APPROVAL	DESIGN ENGINEER	DATE
DESIGNED: JAW 10/2019	DRAWN: TAM 10/2019	
CHECKED: ACS 10/2019	CHECKED: JAW 10/2019	

INDIANA
DEPARTMENT OF TRANSPORTATION

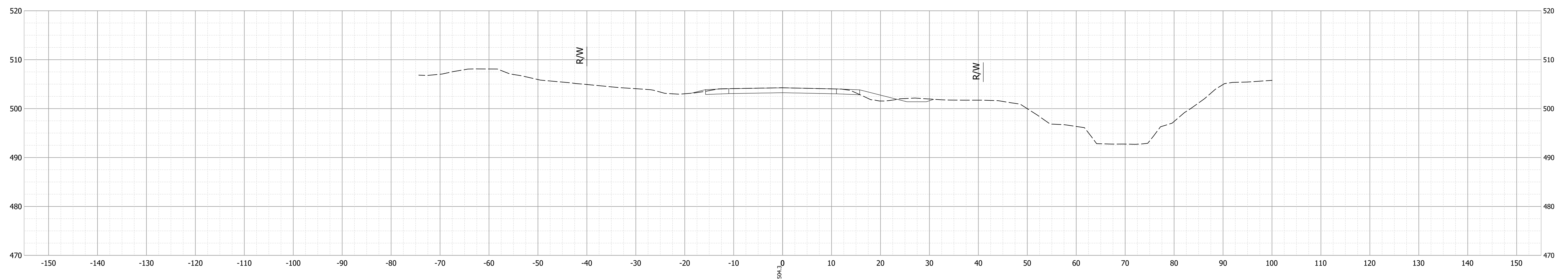
CROSS SECTIONS LINE "A"

HORIZONTAL SCALE	BRIDGE FILE
1"=10'	159-77-10338
VERTICAL SCALE	DESIGNATION
1"=10'	1700148
SURVEY BOOK	SHEET
ELECTRONIC	18 of 20
CONTRACT	PROJECT
B-40555	1700148

118+50



118+00



Date: Jan 15, 2020, 10:28am User Name: Tracy
File: S:_2017\17-0051\BBD\Bridges\CAD\Bases\Corridor_new.dwg

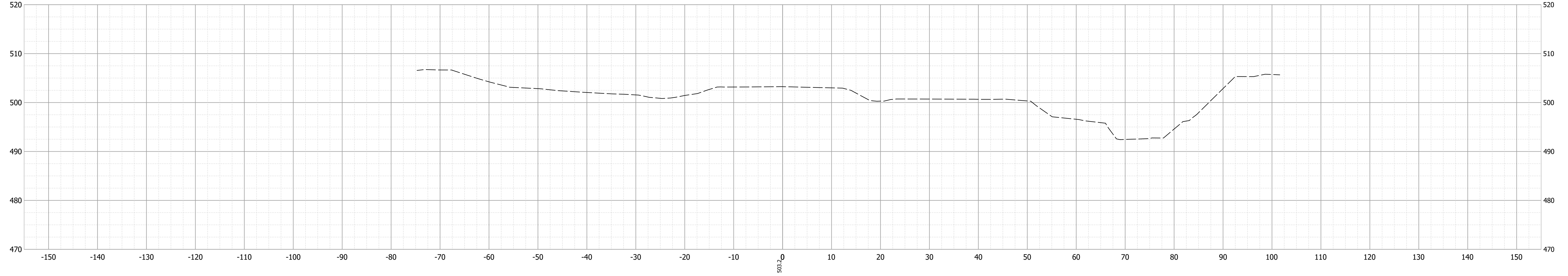
RECOMMENDED FOR APPROVAL	DESIGN ENGINEER	DATE
DESIGNED: JAW 10/2019	DRAWN: TAM 10/2019	
CHECKED: ACS 10/2019	CHECKED: JAW 10/2019	

INDIANA
DEPARTMENT OF TRANSPORTATION

CROSS SECTIONS LINE "A"

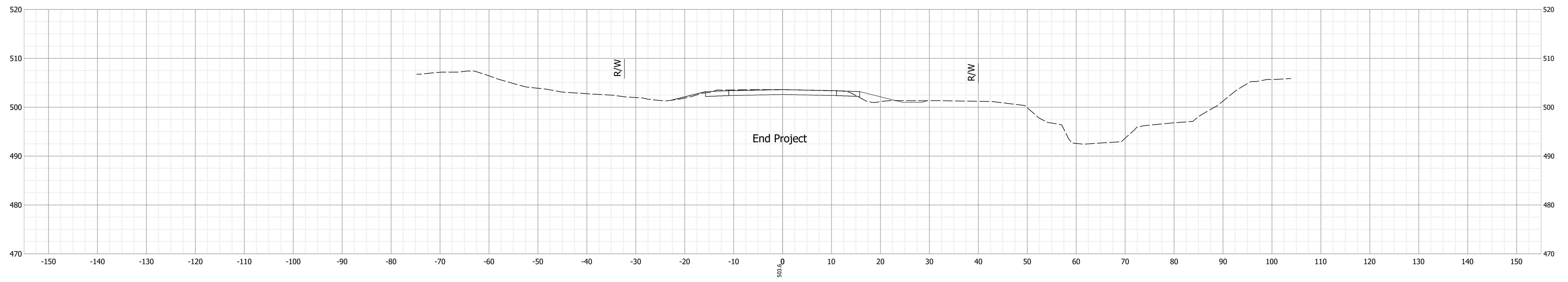
HORIZONTAL SCALE	BRIDGE FILE
1"=10'	159-77-10338
VERTICAL SCALE	DESIGNATION
1"=10'	1700148
SURVEY BOOK	SHEET
ELECTRONIC	19 of 20
CONTRACT	PROJECT
B-40555	1700148

119+50



End Incidental Construction
STATION 119+30.00

119+00



End Project

Date: Jan 15, 2020, 10:28am User Name: Tracy
File: S:_2017\17-0051\BBD\Bridges\CAD\Bases\Corridor_new.dwg

RECOMMENDED FOR APPROVAL	DESIGN ENGINEER	DATE
DESIGNED: JAW 10/2019	DRAWN: TAM 10/2019	
CHECKED: ACS 10/2019	CHECKED: JAW 10/2019	

INDIANA
DEPARTMENT OF TRANSPORTATION

CROSS SECTIONS LINE "A"

HORIZONTAL SCALE	BRIDGE FILE
1"=10'	159-77-10338
VERTICAL SCALE	DESIGNATION
1"=10'	1700148
SURVEY BOOK	SHEET
ELECTRONIC	20 of 20
CONTRACT	PROJECT
B-40555	1700148