

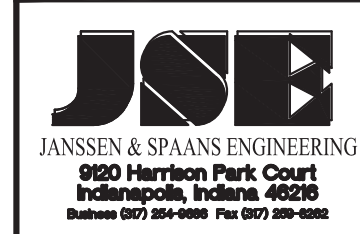
**LEGEND**

- |                                  |                              |                                      |
|----------------------------------|------------------------------|--------------------------------------|
| (A) 11 Inch, QC/QA PCCP          | (10) MGS, Guardrail          | (26) Sodding                         |
| (F) Sidewalk, Concrete, 4"       | (13) Curb, Integral Concrete | (27) Chain Link Fence                |
| (F1) Utility Sidewalk, Concrete  | (14) Concrete Curb, Modified | (#) Concrete Curb Ramp               |
| (R) Mill And Resurface           | (15) Concrete Curb, Turnout  | (28) Concrete Barrier, 45"           |
| (S) Joints in PCCP, Saw and Seal | (16) Concrete Curb, Notched  | (29) Concrete Barrier W/ Catch Fence |
|                                  |                              | (30) Gravel Walking Path             |

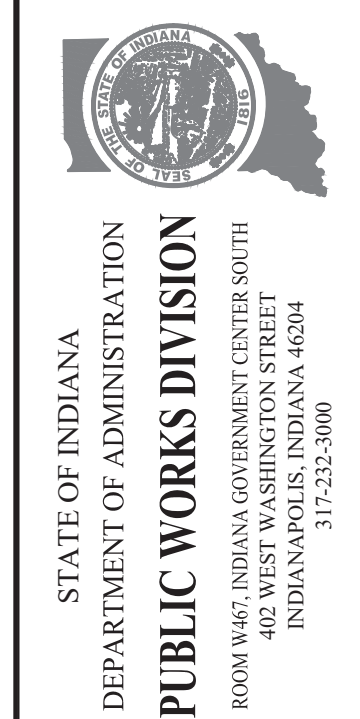
**TRUCKER ISLAND DETAILS SHEET 1**  
SCALE : 1" = 20'

Last Saved By: mreed Printed: 12/17/22  
 P:\1364 - Clear Creek Welcome Center (VMS) SITE SHEETS\1364-EB-C103 SITE PLAN.dwg Dec 01, 2022 - 4:27:58 pm

Certified by: Robert Gray

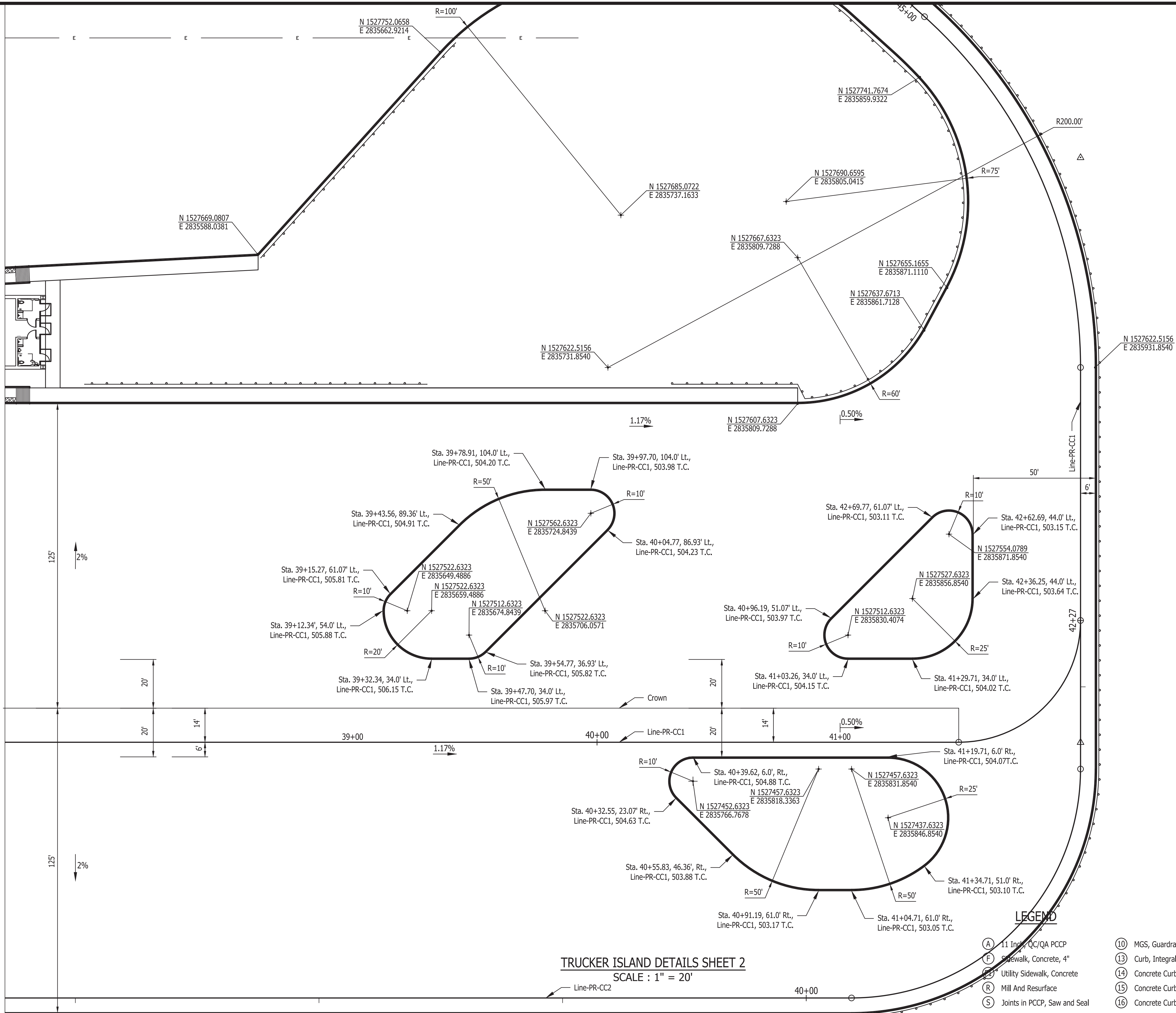


PUBLIC WORKS PROJECT NO. 84003001-22-058-C1  
 CLEAR CREEK WELCOME CENTER  
 VIGO COUNTY, INDIANA



Revisions:	
Project Number:	84003001-22-058-C1
Requisition Number:	
Account Number:	
Designer:	ENG
Drawing Date:	MMMMM YYYY
Drafter:	TEC
Drawing Scale:	1"=50'
DAPW Approval:	
Client Approval:	
Reference Number:	1364
Building Reference:	
Drawing Number:	C106-1
Sheet:	--- of TBD

Last Saved By: mreed Printed: 2/7/22  
 P:\1364 - Clear Creek Welcome Center (VMS) SITE SHEETS\1364-EB-C103 SITE PLAN.dwg Dec 01, 2022 - 4:28:07 pm



**TRUCKER ISLAND DETAILS SHEET 2**  
 SCALE : 1" = 20'

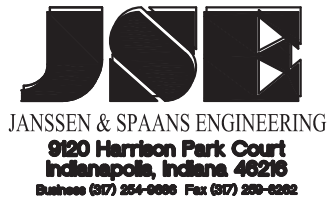
- LEGEND**
- (A) 11 Inch, QC/QA PCCP
  - (F) Sidewalk, Concrete, 4"
  - (S) Utility Sidewalk, Concrete
  - (R) Mill And Resurface
  - (S) Joints in PCCP, Saw and Seal

- (10) MGS, Guardrail
- (13) Curb, Integral Concrete
- (14) Concrete Curb, Modified
- (15) Concrete Curb, Turnout
- (16) Concrete Curb, Notched

- (26) Sodding
- (27) Chain Link Fence
- (#) Concrete Curb Ramp
- (28) Concrete Barrier, 45"
- (29) Concrete Barrier W/ Catch Fence
- (30) Gravel Walking Path



Certified by: Robert Gray



PUBLIC WORKS PROJECT NO. 84003001-22-058-C1  
 CLEAR CREEK WELCOME CENTER  
 VIGO COUNTY, INDIANA

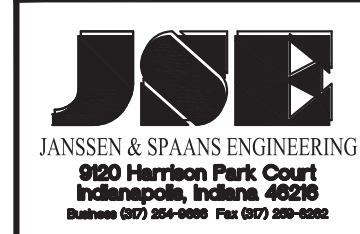


STATE OF INDIANA  
 DEPARTMENT OF ADMINISTRATION  
**PUBLIC WORKS DIVISION**  
 ROOM 4407, INDIANA GOVERNMENT CENTER SOUTH  
 402 WEST WASHINGTON STREET  
 INDIANAPOLIS, INDIANA 46204  
 317-232-3000

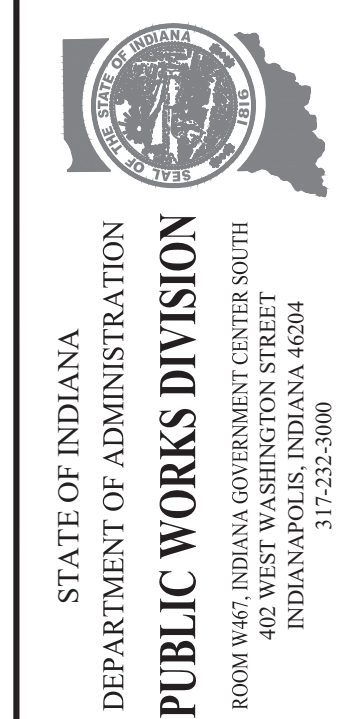
Revisions:	
Project Number:	84003001-22-058-C1
Requisition Number:	
Account Number:	
Designer:	ENG
Drawing Date:	MMMMM YYYY
Drafter:	TEC
Drawing Scale:	1"=50'
DAPW Approval:	
Client Approval:	
Reference Number:	1364
Building Reference:	
Drawing Number:	C106-2
Sheet:	--- of TBD



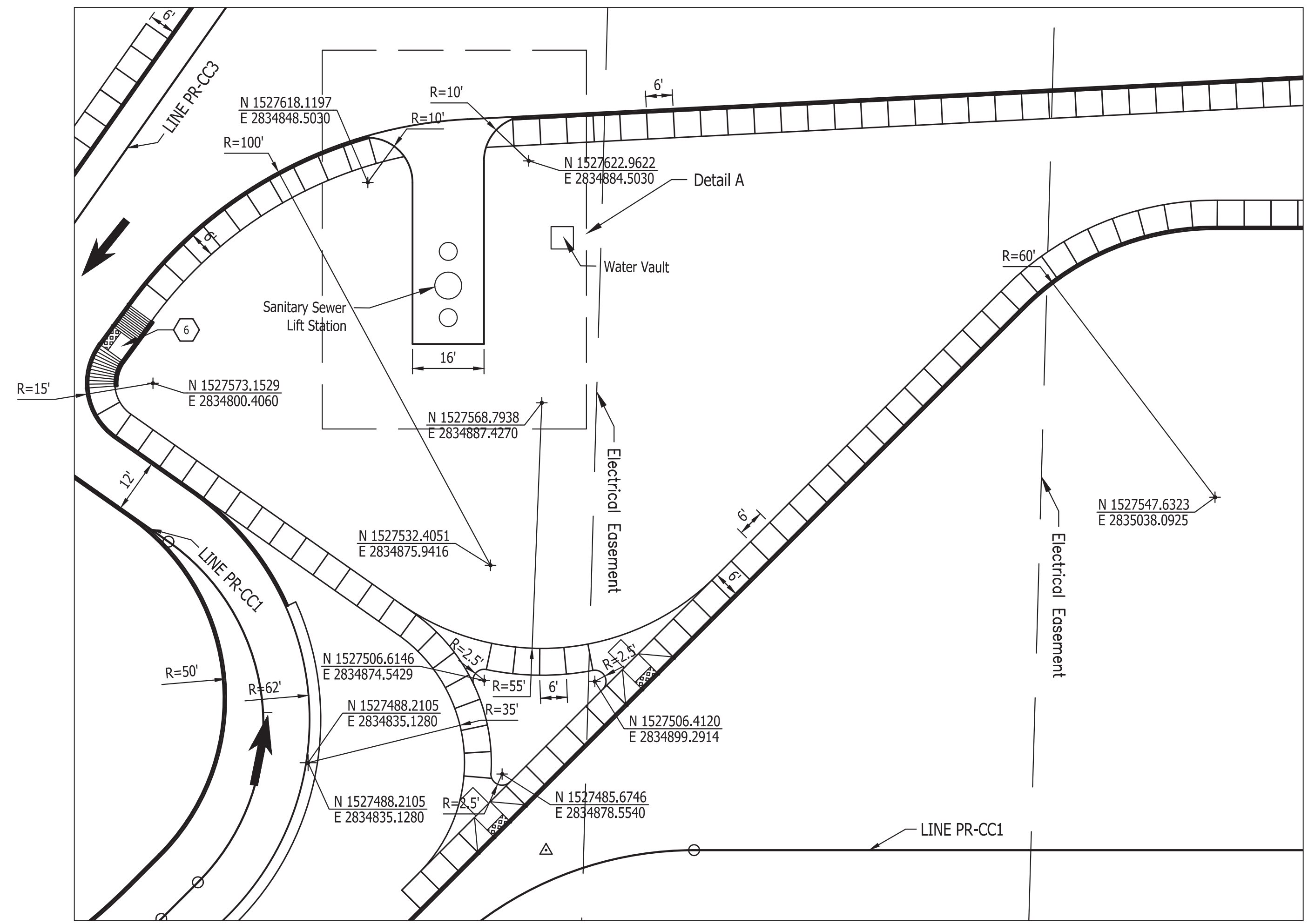
Certified by: Robert Gray



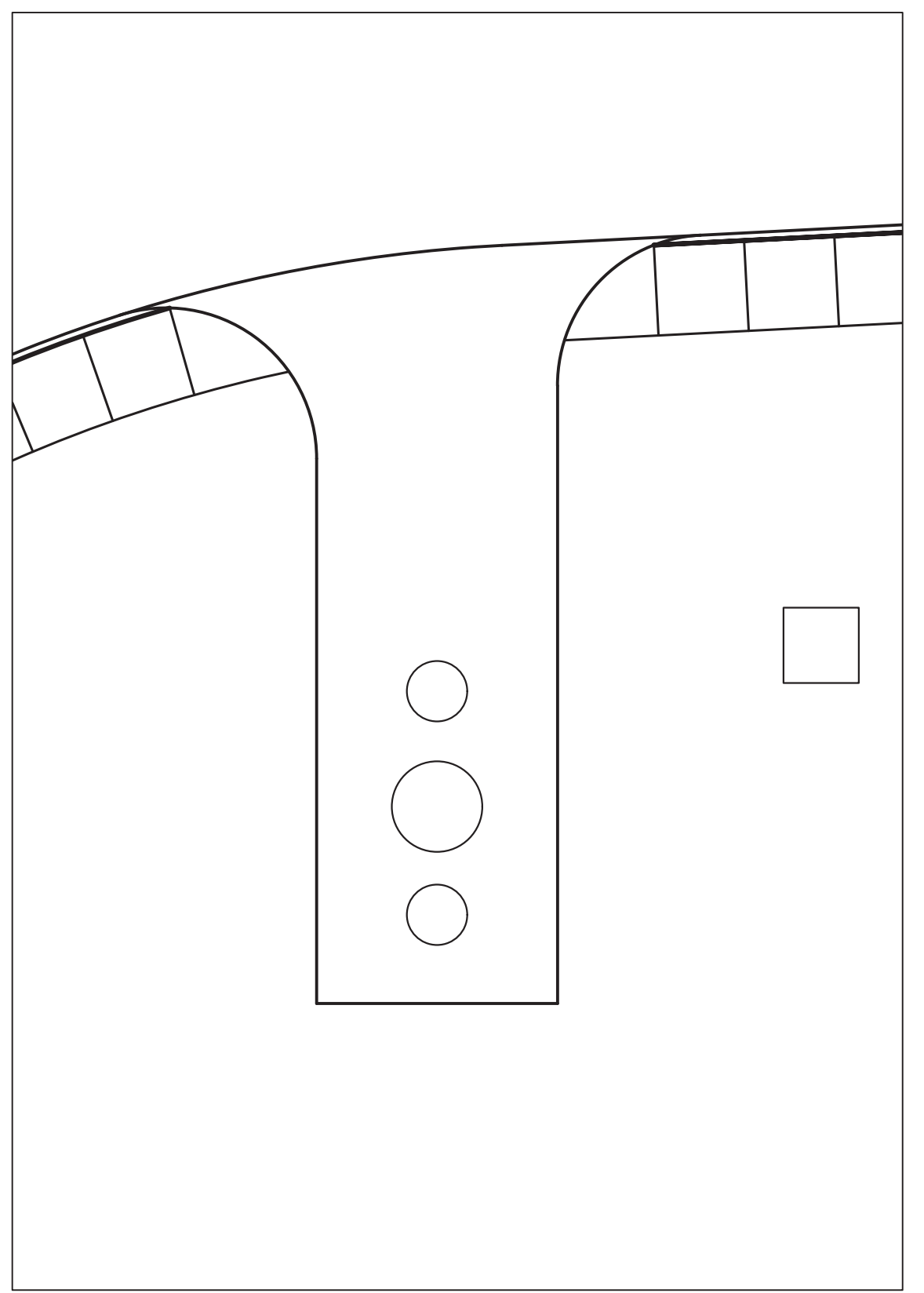
PUBLIC WORKS PROJECT NO. 84003001-22-058-C1  
CLEAR CREEK WELCOME CENTER  
VIGO COUNTY, INDIANA



Revisions:	
Project Number:	84003001-22-058-C1
Requisition Number:	
Account Number:	
Designer:	ENG
Drawing Date:	MMMM YYYY
Drafter:	TEC
Drawing Scale:	AS SHOWN
DAPW Approval:	
Client Approval:	
Reference Number:	1364
Building Reference:	
Drawing Number:	C107
Sheet:	--- of TBD



3-WAY INTERSECTION DETAIL  
SCALE : 1" = 20'

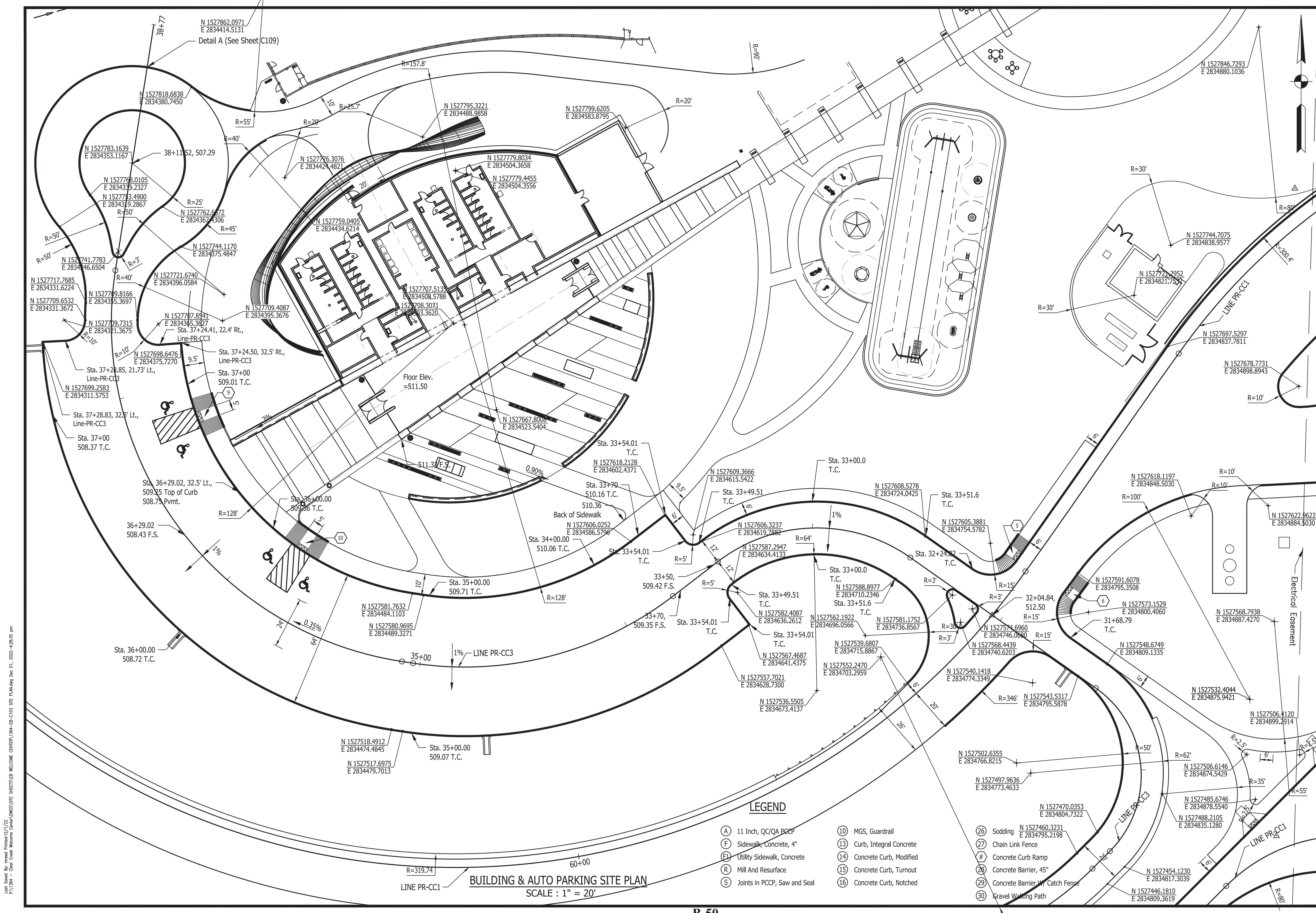


DETAIL A  
SCALE : 1" = 10'

LEGEND

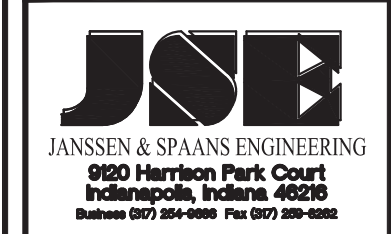
- (A) 11 Inch, QC/QA PCCP
- (F) Sidewalk, Concrete, 4"
- (F1) Utility Sidewalk, Concrete
- (R) Mill And Resurface
- (S) Joints in PCCP, Saw and Seal
- (10) MGS, Guardrail
- (13) Curb, Integral Concrete
- (14) Concrete Curb, Modified
- (15) Concrete Curb, Turnout
- (16) Concrete Curb, Notched
- (26) Sodding
- (27) Chain Link Fence
- (#) Concrete Curb Ramp
- (28) Concrete Barrier, 45"
- (29) Concrete Barrier W/ Catch Fence
- (30) Gravel Walking Path

Plot Saved By: mreed Printed: 12/17/22 P:\1364 - Clear Creek Welcome Center (VWS) SITE SHEETS\1364-EB-C103 SITE PLAN.dwg Dec 01, 2022 4:58:23 pm

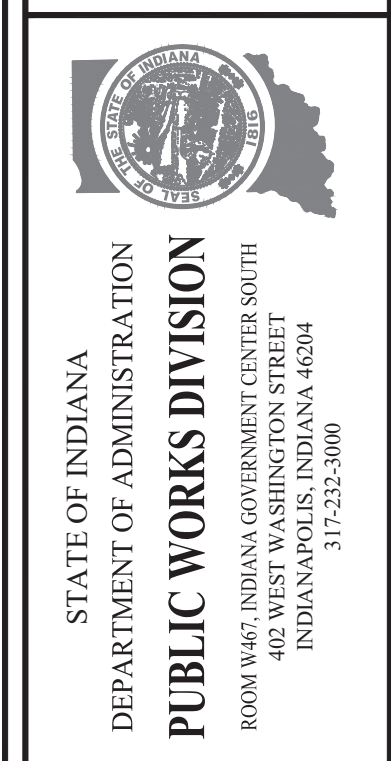


Lant. Saved By: mreed Printed: 12/17/22  
 P:\1364 - Clear Creek Welcome Center\DWG\SITE SHEETS\EB WELCOME CENTER\1364-EB-C103 SITE PLAN.dwg Dec 01, 2022 - 4:28:35 pm

Certified by: Robert Gray

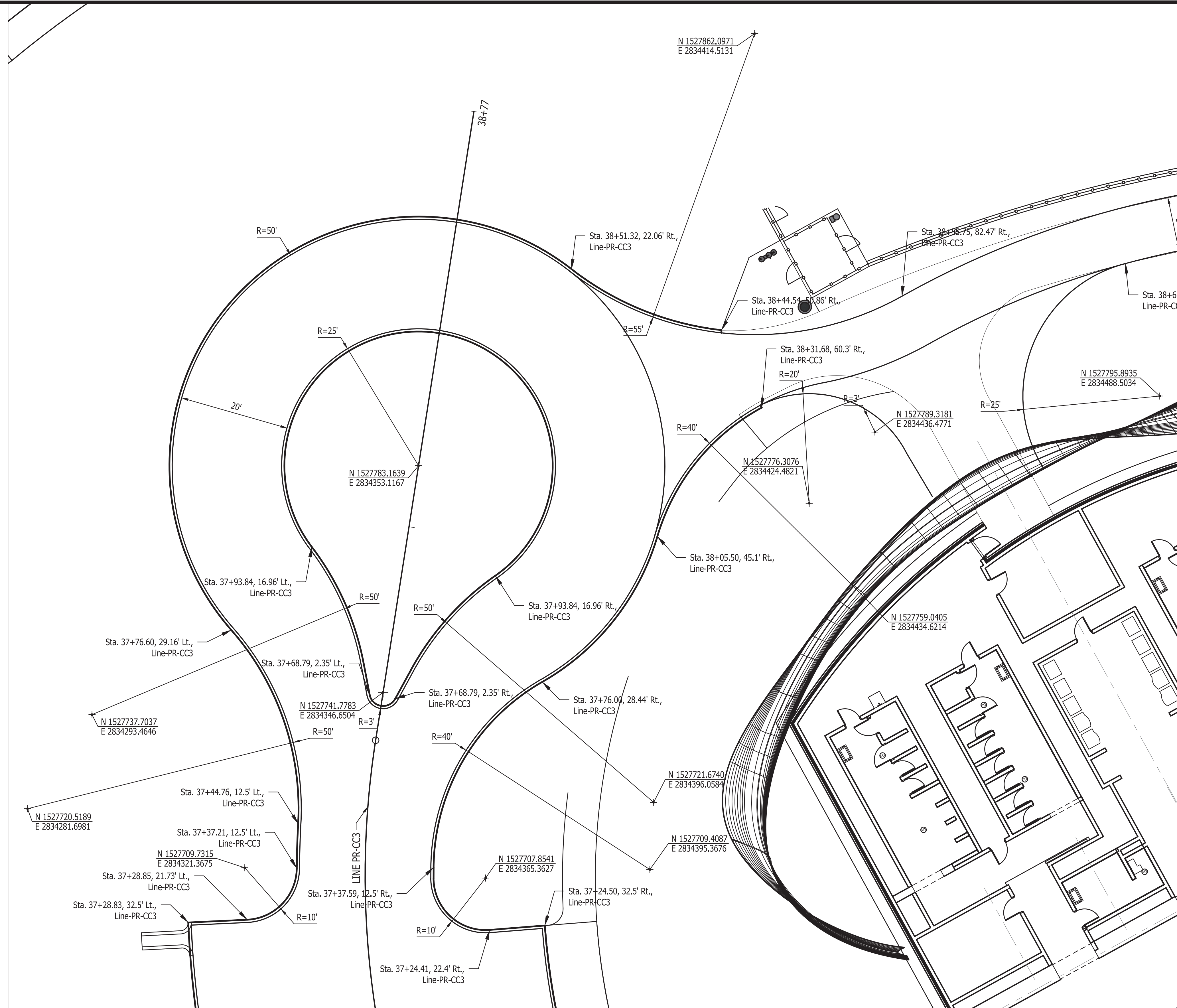


PUBLIC WORKS PROJECT NO. 84003001-22-058-C1  
 CLEAR CREEK WELCOME CENTER  
 VIGO COUNTY, INDIANA



STATE OF INDIANA	DEPARTMENT OF ADMINISTRATION
PUBLIC WORKS DIVISION	
BROOM WALK INDIANA GOVERNMENT CENTER SOUTH 402 WEST WASHINGTON STREET INDIANAPOLIS, INDIANA 46204 317-232-3000	
Revisions:	
Project Number:	84003001-22-058-C1
Requisition Number:	
Account Number:	
Designer:	ENG
Drawing Date:	MMMM YYYY
Drafter:	TEC
Drawing Scale:	1"=20'
DAPW Approval:	
Client Approval:	
Reference Number:	1364
Building Reference:	
Drawing Number:	C108
Sheet:	of TBD

Last Saved By: mreed Printed: 12/17/22  
 P:\1364 - Clear Creek Welcome Center (VMS) SITE SHEETS\1364-EB-C103 SITE PLAN.dwg Dec 01, 2022 - 4:28:44 pm



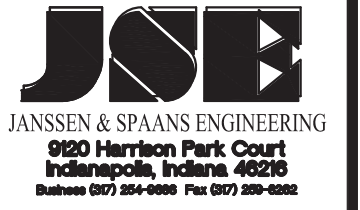
**ROUNDBABOUT DETAIL**  
 SCALE : 1" = 10'

**LEGEND**

- |                                  |                              |                                      |
|----------------------------------|------------------------------|--------------------------------------|
| (A) 11 Inch, QC/QA PCCP          | (10) MGS, Guardrail          | (26) Sodding                         |
| (F) Sidewalk, Concrete, 4"       | (13) Curb, Integral Concrete | (27) Chain Link Fence                |
| (Fl) Utility Sidewalk, Concrete  | (14) Concrete Curb, Modified | (#) Concrete Curb Ramp               |
| (R) Mill And Resurface           | (15) Concrete Curb, Turnout  | (28) Concrete Barrier, 45"           |
| (S) Joints in PCCP, Saw and Seal | (16) Concrete Curb, Notched  | (29) Concrete Barrier W/ Catch Fence |
|                                  |                              | (30) Gravel Walking Path             |



Certified by: Robert Gray



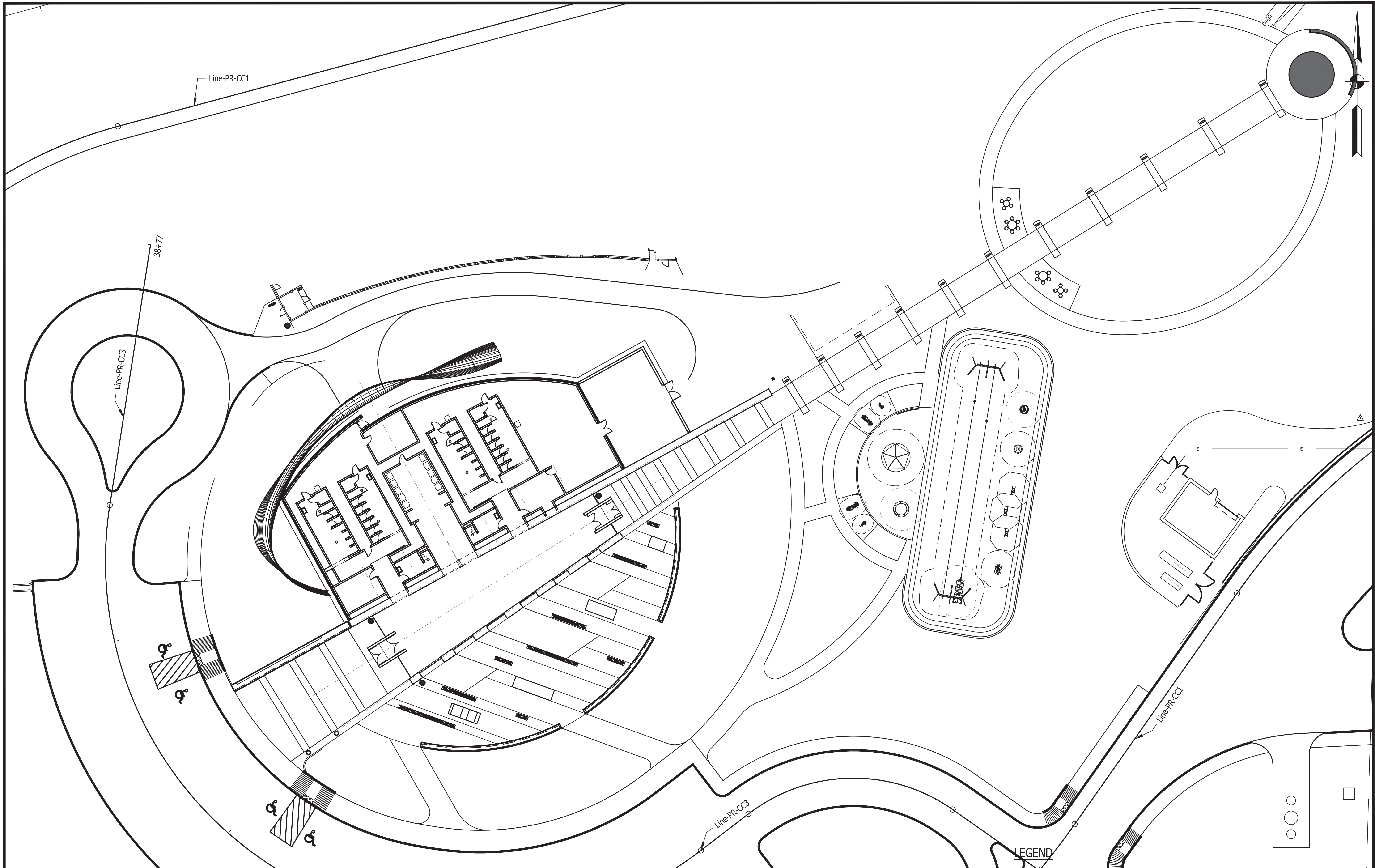
PUBLIC WORKS PROJECT NO. 84003001-22-058-C1  
 CLEAR CREEK WELCOME CENTER  
 VIGO COUNTY, INDIANA



STATE OF INDIANA  
 DEPARTMENT OF ADMINISTRATION  
**PUBLIC WORKS DIVISION**  
 ROOM 9407, INDIANA GOVERNMENT CENTER SOUTH  
 402 WEST WASHINGTON STREET  
 INDIANAPOLIS, INDIANA 46204  
 317-232-3000

Revisions:	
Project Number:	84003001-22-058-C1
Requisition Number:	
Account Number:	
Designer:	ENG
Drawing Date:	MMMMM YYYY
Drafter:	TEC
Drawing Scale:	1"=20'
DAPW Approval:	
Client Approval:	
Reference Number:	1364
Building Reference:	
Drawing Number:	C109
Sheet:	--- of TBD

Last Saved By: mreed Printed: 12/17/22  
 P:\1364 - Clear Creek Welcome Center\WORKS\SITE SHEETS\WB WELCOME CENTER\1364-EB-010 SITE PLAN.dwg Dec 01, 2022 4:48:58 pm

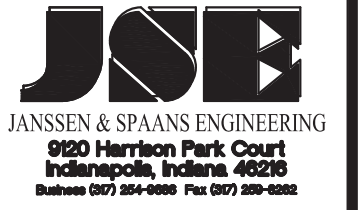


LA BASE DETAIL  
SCALE : 1" = 10'

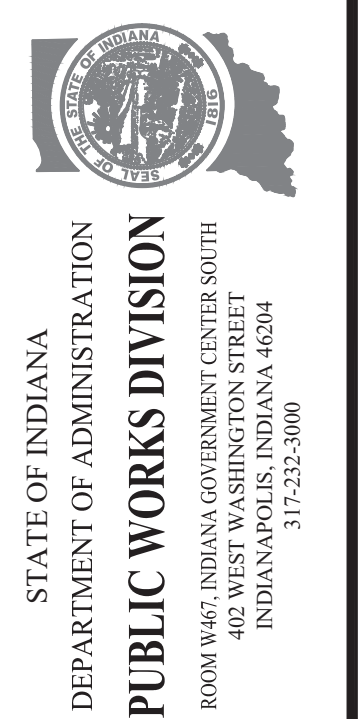
LEGEND

- |                                  |                              |                                      |
|----------------------------------|------------------------------|--------------------------------------|
| (A) 11 Inch, QC/QA PCCP          | (10) MGS, Guardrail          | (26) Sodding                         |
| (F) Sidewalk, Concrete, 4"       | (13) Curb, Integral Concrete | (27) Chain Link Fence                |
| (Fl) Utility Sidewalk, Concrete  | (14) Concrete Curb, Modified | (#) Concrete Curb Ramp               |
| (R) Mill And Resurface           | (15) Concrete Curb, Turnout  | (28) Concrete Barrier, 45"           |
| (S) Joints in PCCP, Saw and Seal | (16) Concrete Curb, Notched  | (29) Concrete Barrier W/ Catch Fence |
|                                  |                              | (30) Gravel Walking Path             |

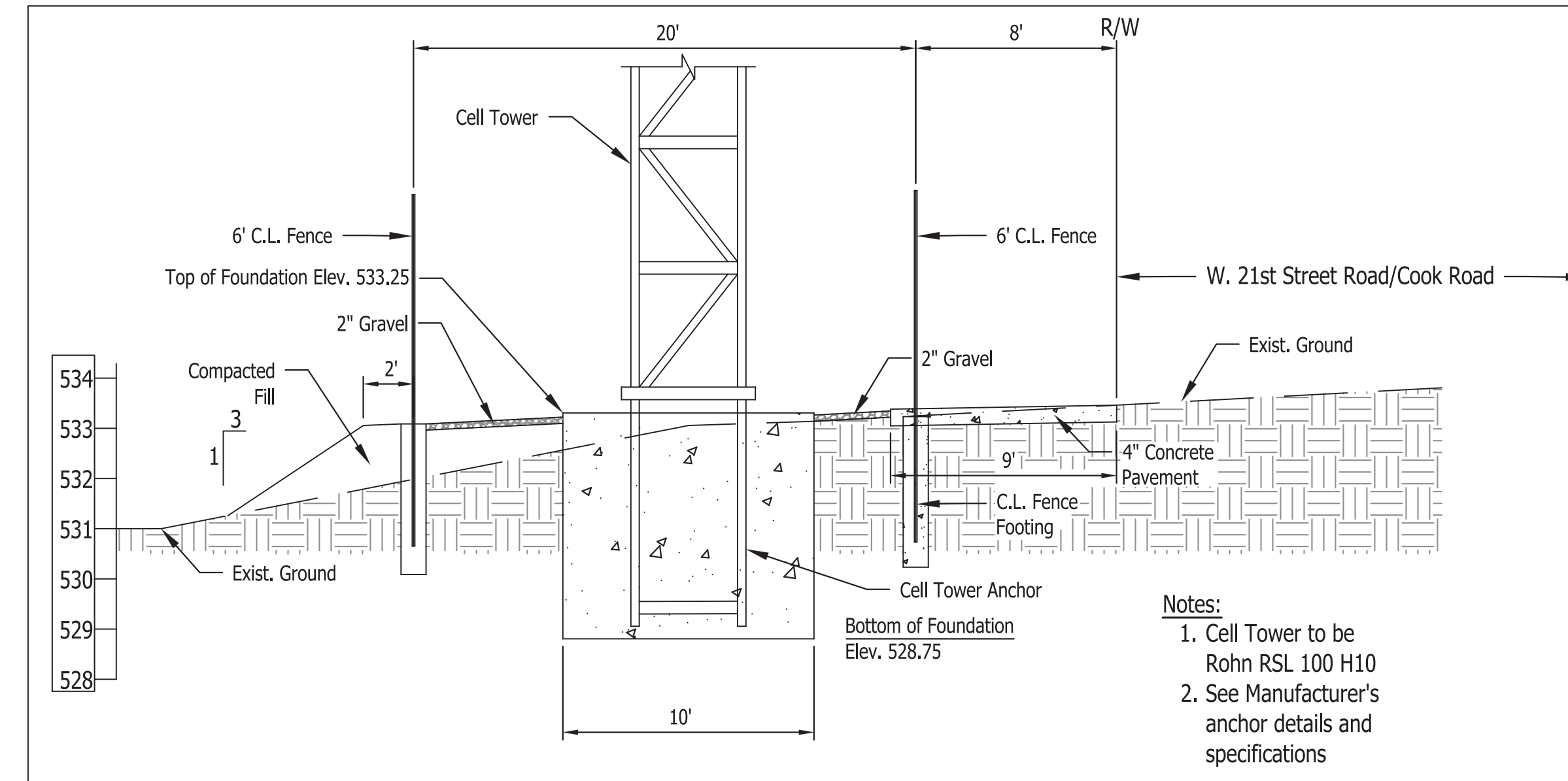
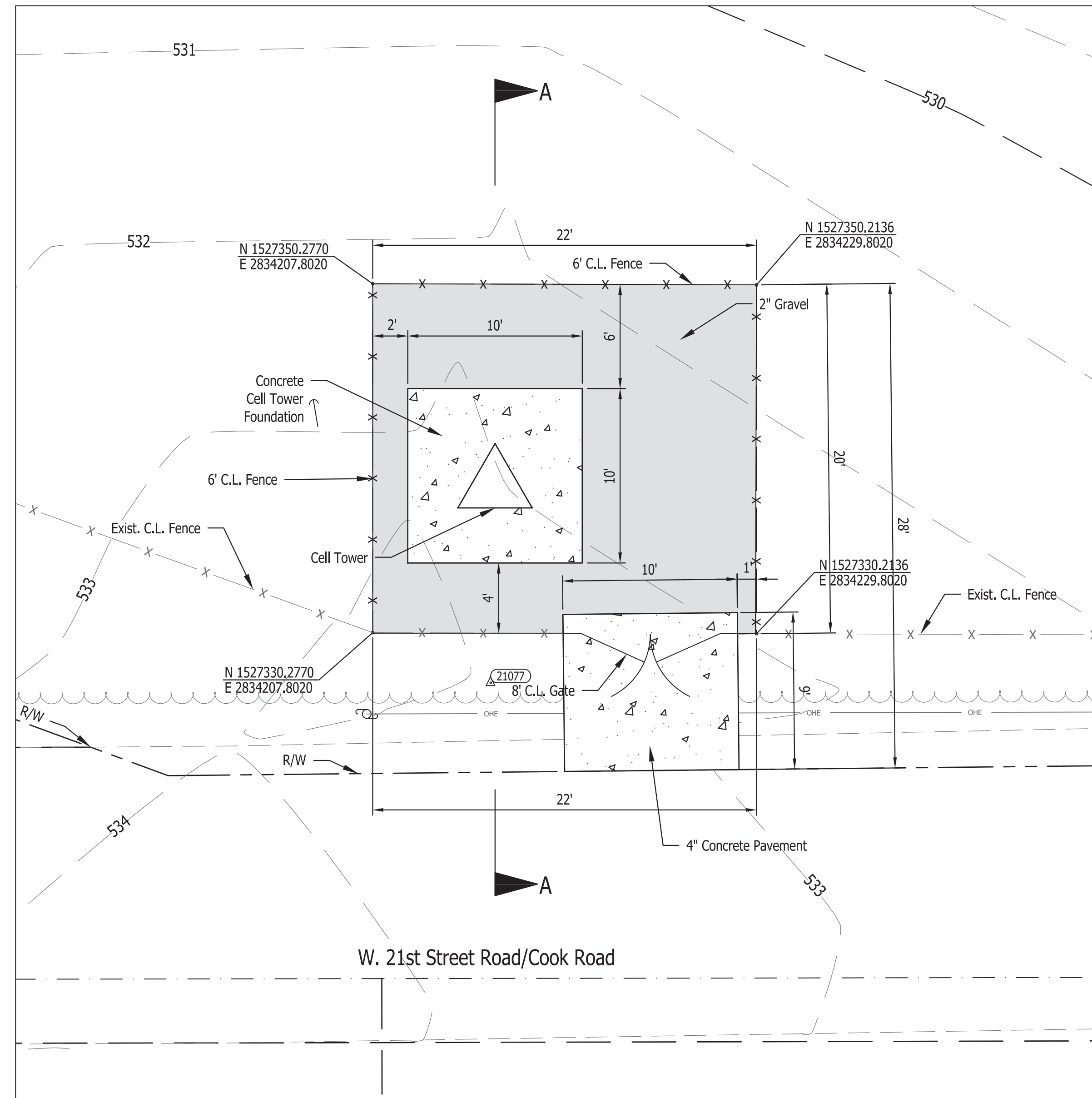
Certified by: Robert Gray



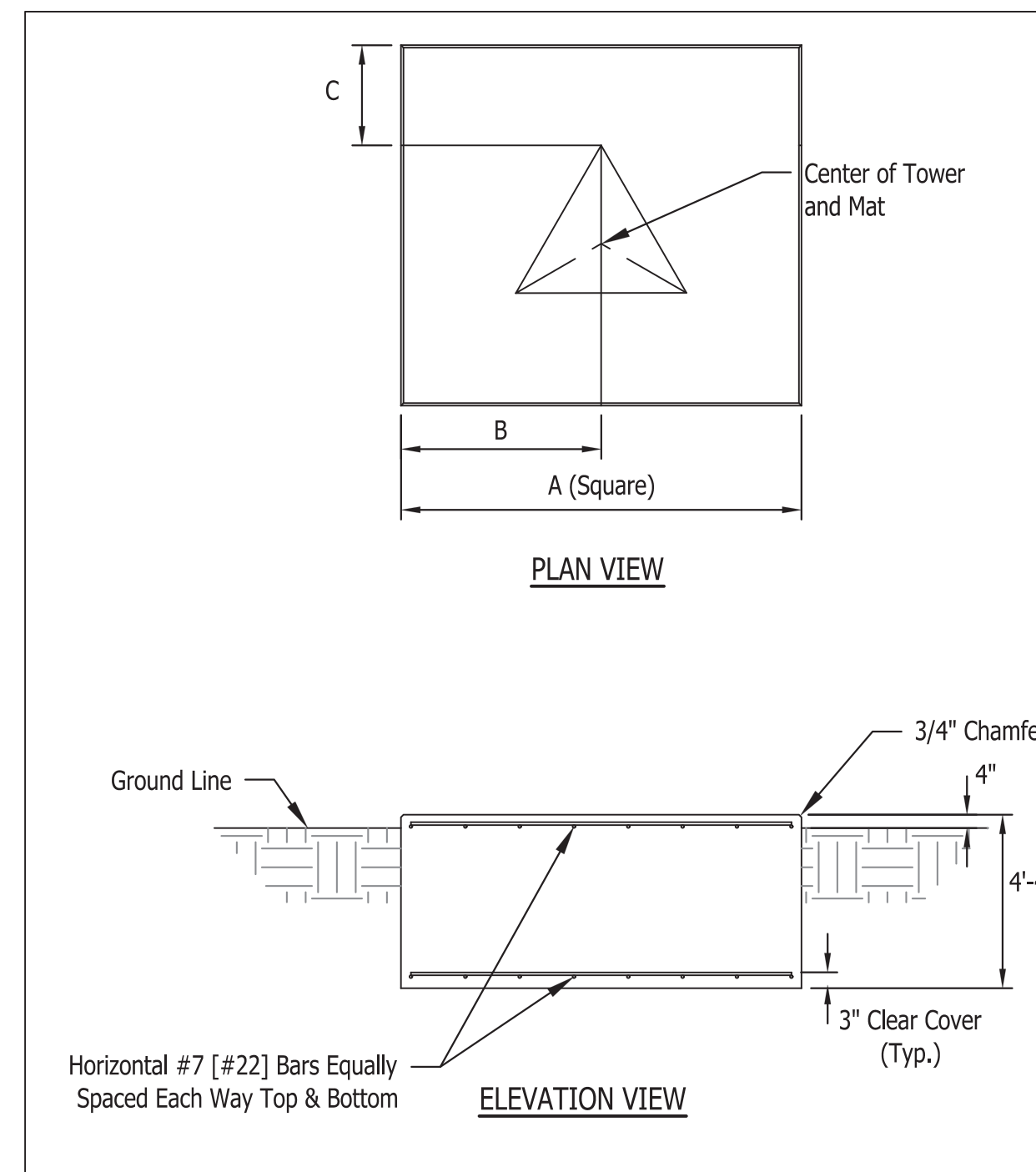
PUBLIC WORKS PROJECT NO. 84003001-22-058-C1  
CLEAR CREEK WELCOME CENTER  
VIGO COUNTY, INDIANA



Revisions:	
Project Number:	84003001-22-058-C1
Requisition Number:	
Account Number:	
Designer:	ENG
Drawing Date:	MMMMM YYYY
Drafter:	TEC
Drawing Scale:	1"=20'
DAPW Approval:	
Client Approval:	
Reference Number:	1364
Building Reference:	
Drawing Number:	C109-1
Sheet:	--- of TBD



- Notes:
1. Cell Tower to be Rohn RSL 100 H10
  2. See Manufacturer's anchor details and specifications



BASE SECTION REFERENCE	NOMINAL FACE WIDTH	FOUNDATION DIMENSIONS			CONCRETE	TOTAL #7 [#22]
		A	B	C		
10	4'-3"	10'-0"	5'-0"	2'-6"	16.0 yd <sup>3</sup>	48

ROHN RSL 100H10 TECHNICAL SPECIFICATIONS

height 100'  
 section size, top 21"  
 section size, bottom 51"  
 base footing 10' x 10' x 4'-4", (16 cu. yds.)

Last Saved By: mreed Printed: 2/7/22  
 P:\1364 - Clear Creek Welcome Center\DWG\CS SITE SHEETS\WB WELCOME CENTER\1364-EB-010 SITE PLAN.dwg Dec 01, 2022 - 4:39:05 pm



Certified by: Robert Gray

**JSE**  
 JANSSEN & SPAANS ENGINEERING  
 890 Harrison Park Court  
 Indianapolis, Indiana 46229  
 Business (317) 255-0000 Fax (317) 255-0001

**synthesis**  
**RATIO**  
 LANDSCAPE ARCHITECTURE  
 30 W. Monroe Street, Suite 500  
 Chicago, IL 60603  
 T: 312.465.2359  
 www.ratiodesign.com

PUBLIC WORKS PROJECT NO. 84003001-22-058-C1  
 CLEAR CREEK WELCOME CENTER  
 VIGO COUNTY, INDIANA

STATE OF INDIANA  
 DEPARTMENT OF ADMINISTRATION  
**PUBLIC WORKS DIVISION**  
 ROOM 4407, INDIANA GOVERNMENT CENTER SOUTH  
 402 WEST WASHINGTON STREET  
 INDIANAPOLIS, INDIANA 46204  
 317-232-3000

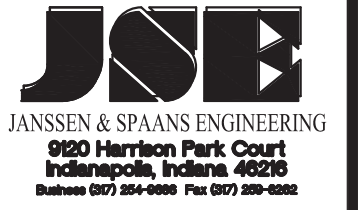
Revisions:

Project Number: 84003001-22-058-C1  
 Requisition Number:  
 Account Number:  
 Designer: ENG Drawing Date: MYYYY YYY  
 Drafter: TEC Drawing Scale: 1"=20'  
 DAPW Approval:  
 Client Approval:  
 Reference Number: 1364  
 Building Reference:  
 Drawing Number:  
 Sheet: C109-2 of TBD

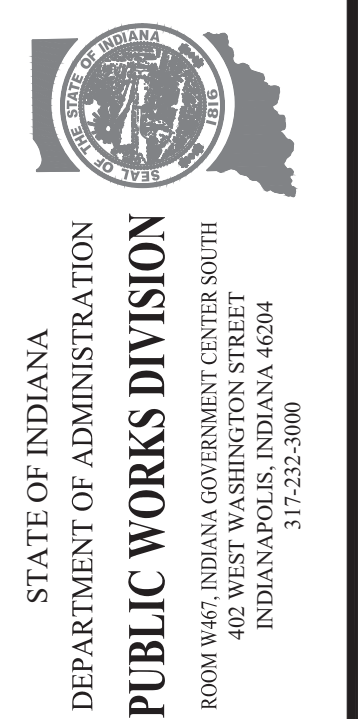
Last Saved By: mreed Printed: 2/7/22  
 P:\1364 - Clear Creek Welcome Center\WORKS\SITE SHEETS\WB WELCOME CENTER\1364-EB-C103 SITE PLAN.dwg Dec 01, 2022-4:28:14 pm



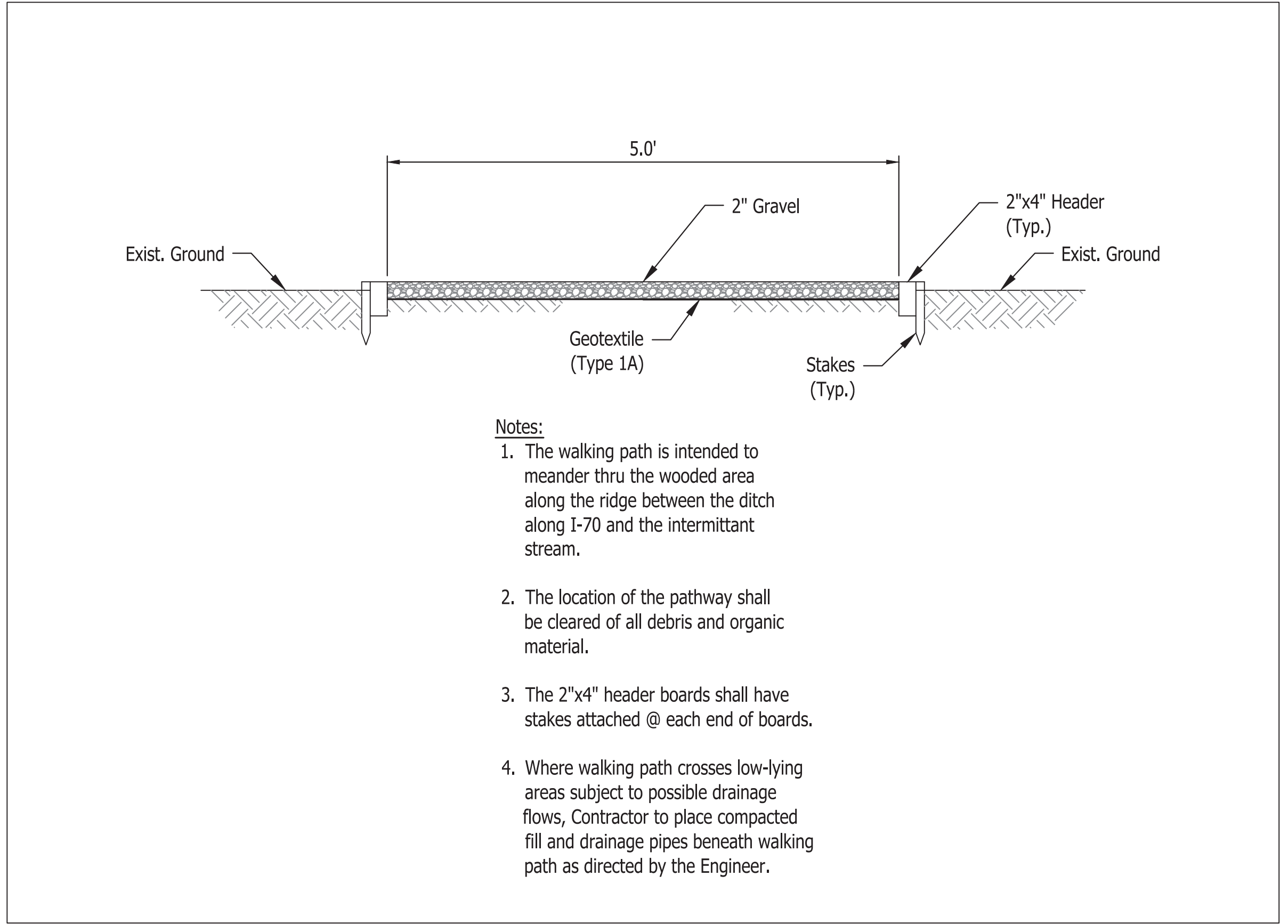
Certified by: Robert Gray



PUBLIC WORKS PROJECT NO. 84003001-22-058-C1  
 CLEAR CREEK WELCOME CENTER  
 VIGO COUNTY, INDIANA

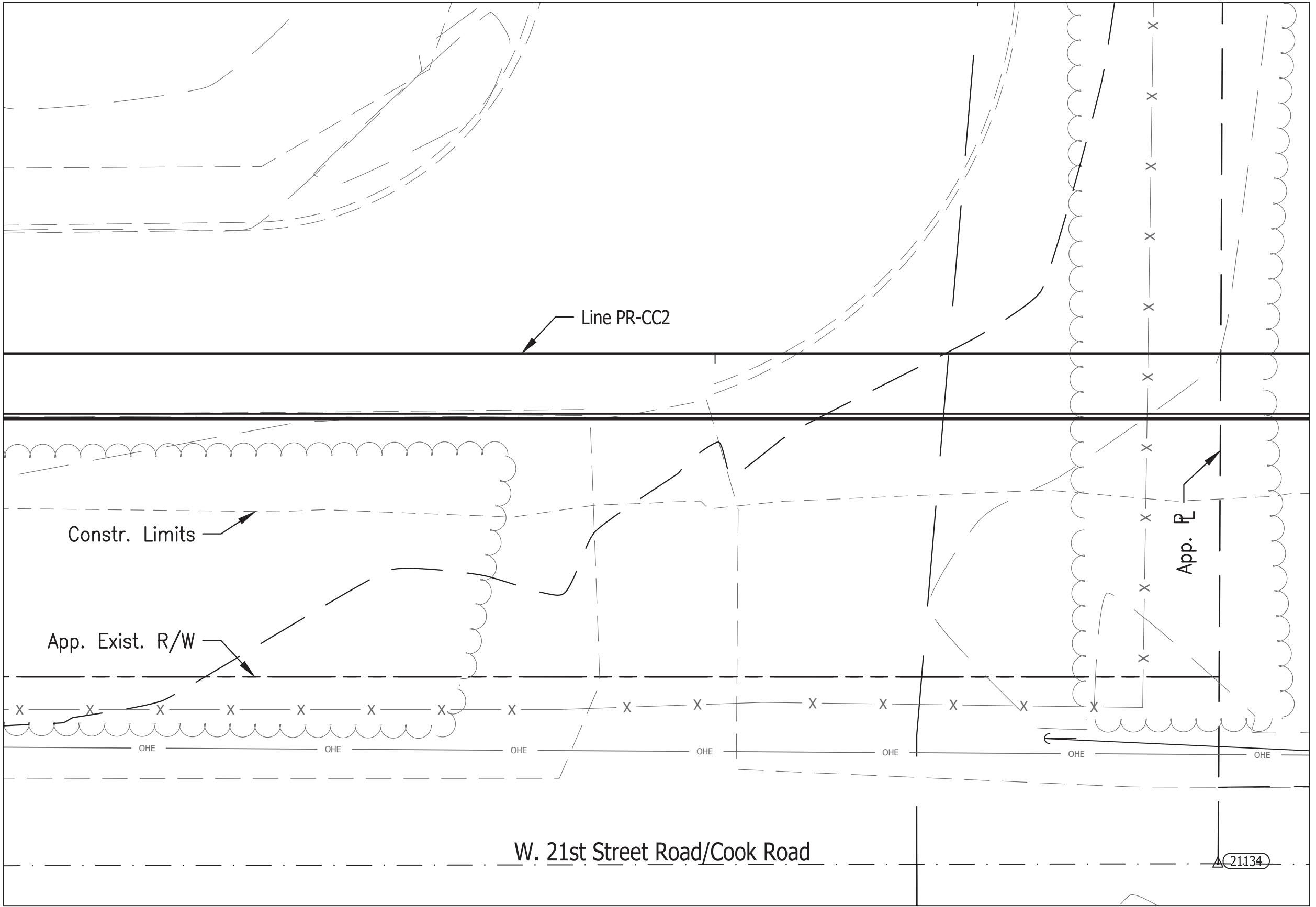


Revisions:	
Project Number:	84003001-22-058-C1
Requisition Number:	
Account Number:	
Designer:	ENG
Drawing Date:	MMMMM YYYY
Drafter:	TEC
Drawing Scale:	1"=20'
DAPW Approval:	
Client Approval:	
Reference Number:	1364
Building Reference:	
Drawing Number:	C109-3
Sheet:	--- of TBD



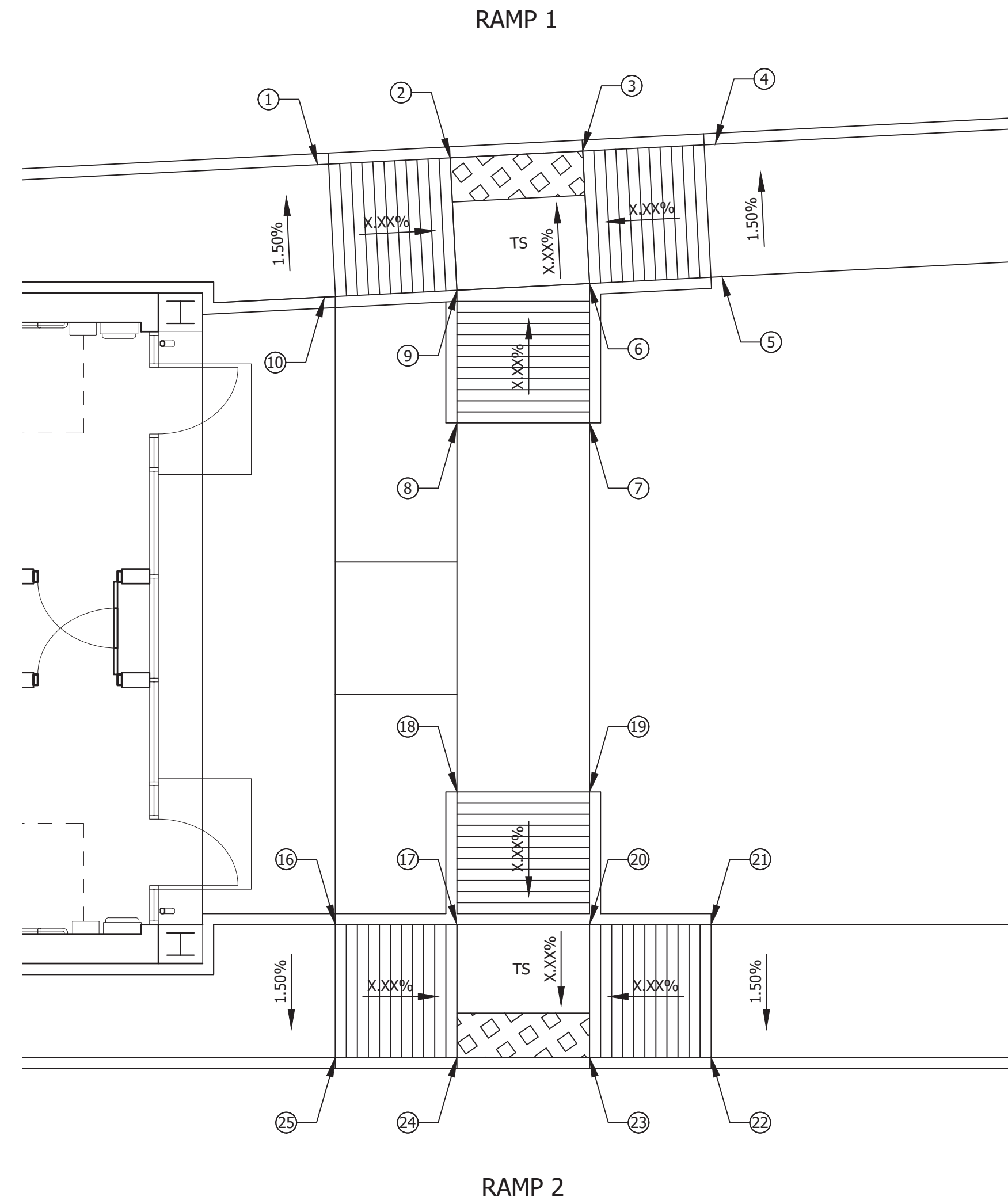
- Notes:**
1. The walking path is intended to meander thru the wooded area along the ridge between the ditch along I-70 and the intermittent stream.
  2. The location of the pathway shall be cleared of all debris and organic material.
  3. The 2"x4" header boards shall have stakes attached @ each end of boards.
  4. Where walking path crosses low-lying areas subject to possible drainage flows, Contractor to place compacted fill and drainage pipes beneath walking path as directed by the Engineer.

**WALKING PATH DETAIL**  
 SCALE: None



**DRIVEWAY ACCESS DETAIL**  
 SCALE : 1" = 10'





CURB RAMP NO. 1 and 2 DETAIL  
SCALE : 1" = 5'

Curb Ramp 1 and 2							
ID #	Station	Offset	Bottom of Curb Elev. (ft)	Top of Curb Elev. (ft)	Base of Ramp Elev. (ft)	Top of Ramp Elev. (ft)	Turning Space Elev. (ft.)
1	XXX.XX	XXX.XX	XXX.XX	XXX.XX	XXX.XX	XXX.XX	XXX.XX
2							
3							
4							
5							
6							
7							
8							
9							
10							
11							
12							
13							
14							
15							
16							
17							
18							
19							
20							
21							
22							
23							
24							
25							
26							
27							
28							
29							
30							

Last Saved By: mreed Printed: 2/7/22  
 P:\1364 - Clear Creek Welcome Center (VWS) SITE SHEETS\1364-EB-C1\136 SITE RAMP.dwg Dec 01, 2022-4:29:26 pm

Certified by: Robert Gray



PUBLIC WORKS PROJECT NO. 84003001-22-058-C1  
 CLEAR CREEK WELCOME CENTER  
 VIGO COUNTY, INDIANA



STATE OF INDIANA  
 DEPARTMENT OF ADMINISTRATION  
**PUBLIC WORKS DIVISION**  
 ROOM 9407, INDIANA GOVERNMENT CENTER SOUTH  
 402 WEST WASHINGTON STREET  
 INDIANAPOLIS, INDIANA 46204  
 317-232-3000

Revisions:

Project Number: 84003001-22-058-C1

Requestion Number: -

Account Number: -

Designer: ENG Drawing Date: MYYYY YYY

Drafter: TEC Drawing Scale: 1"=20'

DAPW Approval:

Client Approval:

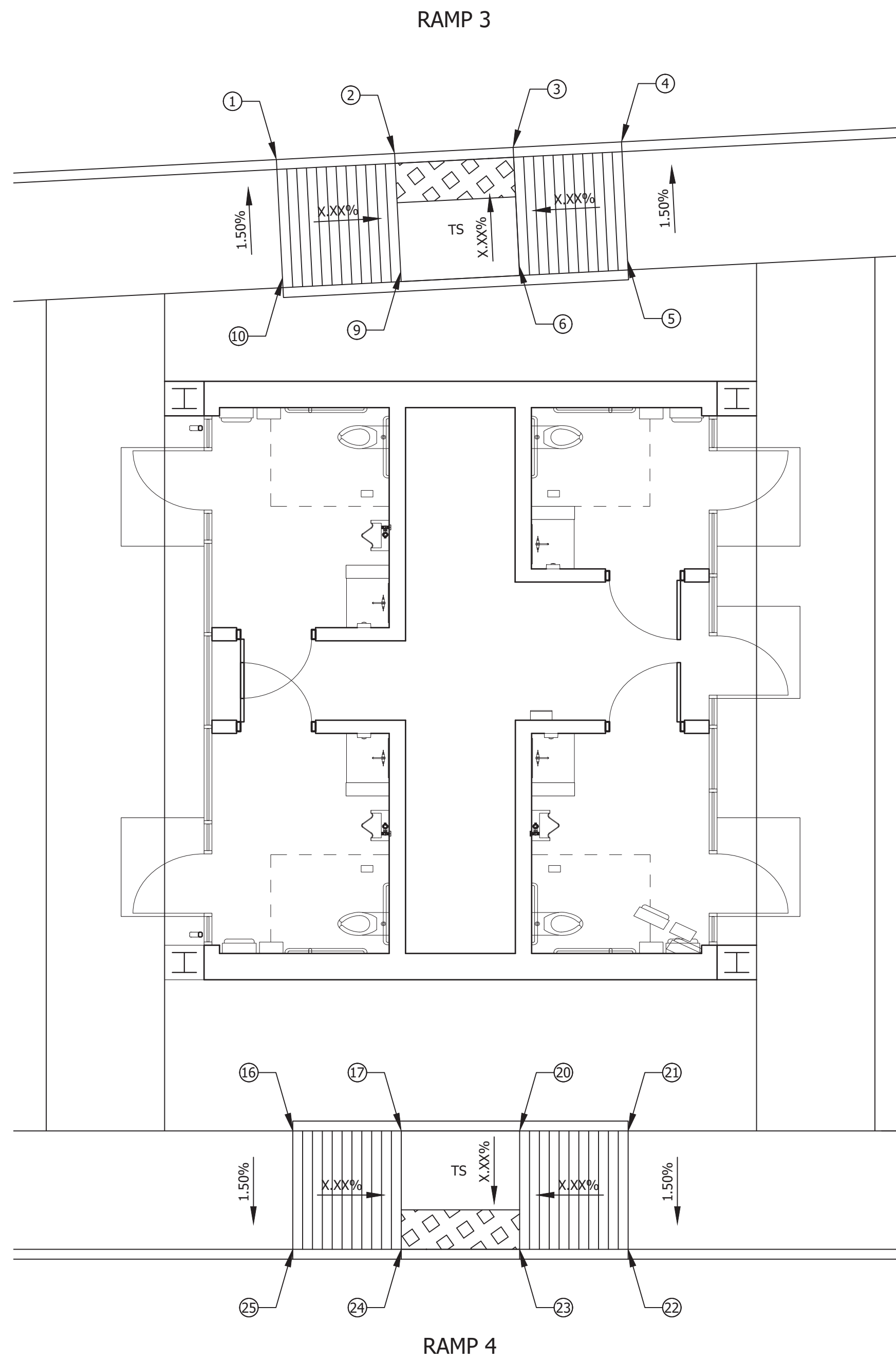
Reference Number: 1364

Building Reference: -

Drawing Number: C109-R1-2

Sheet: --- of TBD


Last Saved By: mreed Printed: 2/7/22  
 P:\1394 - Clear Creek Welcome Center\WORKS\SITE SHEETS\WB WELCOME CENTER\1364-EB-C120 SITE RAMP.dwg Dec 01, 2022-4:29:33 pm



**CURB RAMP NO. 3 and 4 DETAIL**  
 SCALE : 1" = 5'


Curb Ramp 3 and 4							
ID #	Station	Offset	Bottom of Curb Elev. (ft)	Top of Curb Elev. (ft)	Base of Ramp Elev. (ft)	Top of Ramp Elev. (ft)	Turning Space Elev. (ft.)
1	XXX.XX	XXX.XX	XXX.XX	XXX.XX	XXX.XX	XXX.XX	XXX.XX
2							
3							
4							
5							
6							
7							
8							
9							
10							
11							
12							
13							
14							
15							
16							
17							
18							
19							
20							
21							
22							
23							
24							
25							
26							
27							
28							
29							
30							



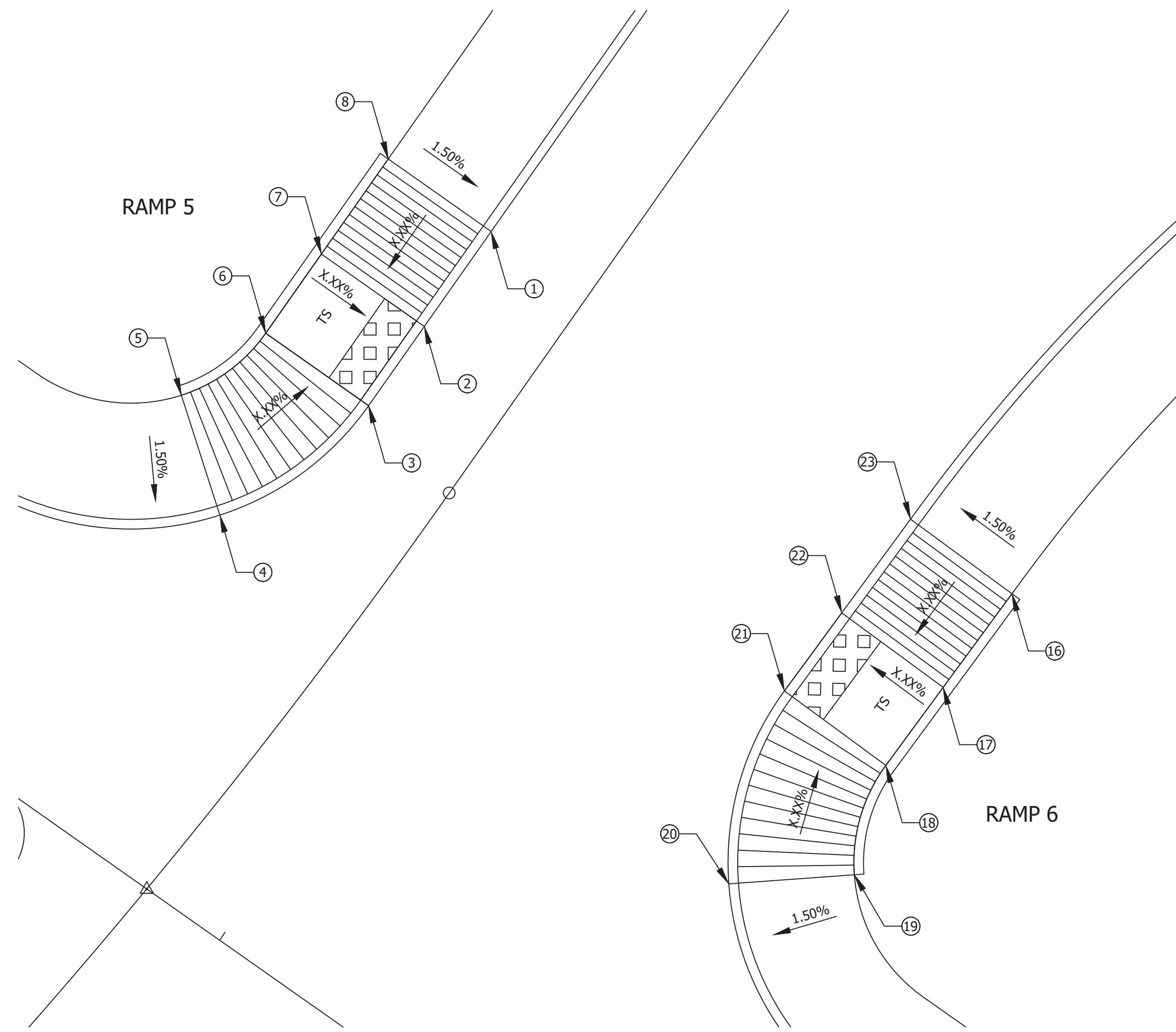
Certified by: Robert Gray  
  
**JSE**  
 JANSSEN & SPAANS ENGINEERING  
 9120 Harrison Park Court  
 Indianapolis, Indiana 46268  
 Indiana (317) 254-0400 Fax (317) 252-0262

  
**RATIO**  
 LANDSCAPE ARCHITECTURE  
 30 W Monroe Street, Suite 500  
 Chicago, IL 60603  
 T: 312.465.2359  
 www.ratiodesign.com

PUBLIC WORKS PROJECT NO. 84003001-22-058-C1  
 CLEAR CREEK WELCOME CENTER  
 VIGO COUNTY, INDIANA

  
 STATE OF INDIANA  
 DEPARTMENT OF ADMINISTRATION  
**PUBLIC WORKS DIVISION**  
 ROOM W467, INDIANA GOVERNMENT CENTER SOUTH  
 402 WEST WASHINGTON STREET  
 INDIANAPOLIS, INDIANA 46204  
 317-232-3000

Revisions:  
 Project Number: 84003001-22-058-C1  
 Requisition Number:  
 Account Number:  
 Designer: ENG Drawing Date: MMYMM YYYY  
 Drafter: TEC Drawing Scale: 1"=20'  
 DAPW Approval:  
 Client Approval:  
 Reference Number: 1364  
 Building Reference:  
 Drawing Number: C109-R3-4  
 Sheet: --- of TBD



CURB RAMP NO. 5 and 6 DETAIL  
SCALE : 1" = 5'

Curb Ramp 5 and 6							
ID #	Station	Offset	Bottom of Curb Elev. (ft)	Top of Curb Elev. (ft)	Base of Ramp Elev. (ft)	Top of Ramp Elev. (ft)	Turning Space Elev. (ft.)
1	XXX.XX	XXX.XX	XXX.XX	XXX.XX	XXX.XX	XXX.XX	XXX.XX
2							
3							
4							
5							
6							
7							
8							
9							
10							
11							
12							
13							
14							
15							
16							
17							
18							
19							
20							
21							
22							
23							
24							
25							
26							
27							
28							
29							
30							

Last Saved By: mreed Printed: 12/17/22  
 P:\1364 - Clear Creek Welcome Center (VWS) SITE SHEETS\1364-EB-C1\136 SITE RAMP.dwg Dec 01, 2022 - 4:29:38 pm

Certified by: Robert Gray



PUBLIC WORKS PROJECT NO. 84003001-22-058-C1  
 CLEAR CREEK WELCOME CENTER  
 VIGO COUNTY, INDIANA



STATE OF INDIANA  
 DEPARTMENT OF ADMINISTRATION  
**PUBLIC WORKS DIVISION**  
 ROOM W467, INDIANA GOVERNMENT CENTER SOUTH  
 402 WEST WASHINGTON STREET  
 INDIANAPOLIS, INDIANA 46204  
 317-232-3000

Revisions:

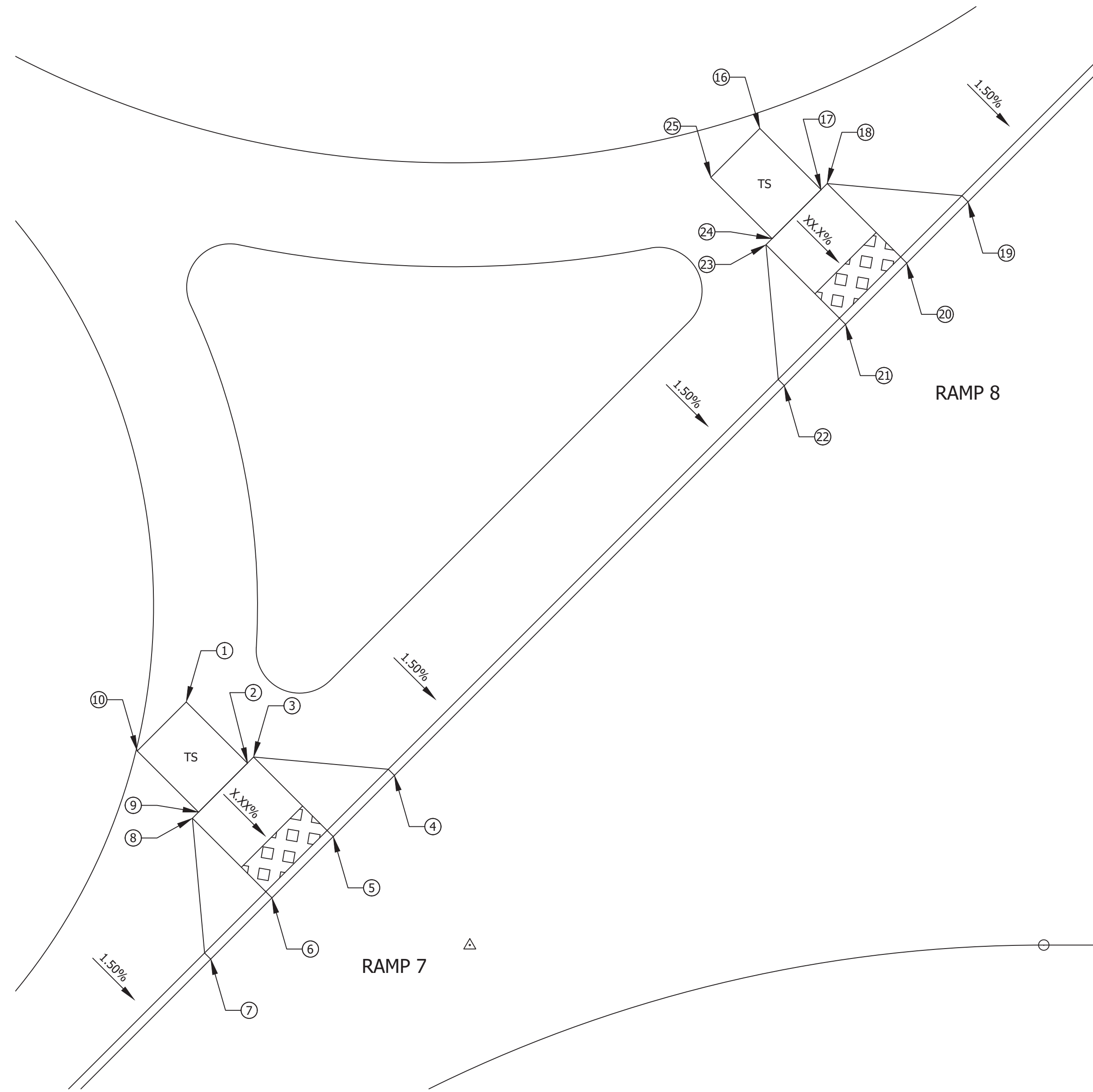
Project Number: 84003001-22-058-C1  
 Requisition Number: -  
 Account Number: -

Designer: ENG	Drawing Date: MMYMM YYYY
Drafter: TEC	Drawing Scale: 1"=20'

DAPW Approval: \_\_\_\_\_  
 Client Approval: \_\_\_\_\_

Reference Number: 1364  
 Building Reference: -  
 Drawing Number: C109-R5-6  
 Sheet: --- of TBD

Last Saved By: mreed Printed: 2/7/22  
 P:\1364 - Clear Creek Welcome Center\WORKS\SITE SHEETS\1364-EB-C170 SITE RAMP.dwg Dec 01, 2022 - 4:28:43 pm

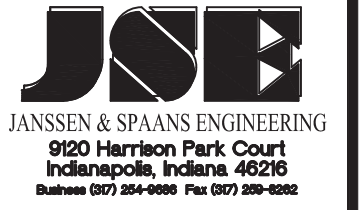


**CURB RAMP NO. 7 and 8 DETAIL**  
 SCALE : 1" = 5'

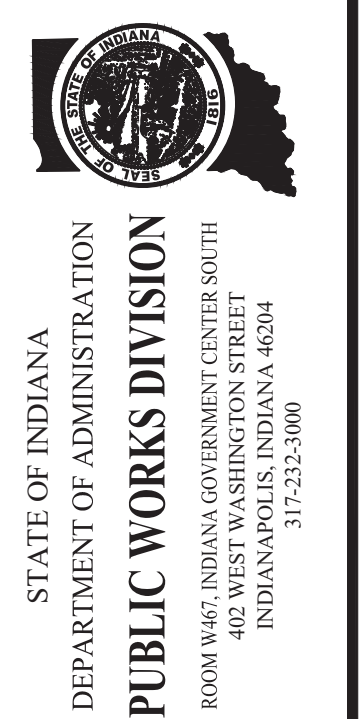
Curb Ramp 7 and 8							
ID #	Station	Offset	Bottom of Curb Elev. (ft)	Top of Curb Elev. (ft)	Base of Ramp Elev. (ft)	Top of Ramp Elev. (ft)	Turning Space Elev. (ft.)
1	XXX.XX	XXX.XX	XXX.XX	XXX.XX	XXX.XX	XXX.XX	XXX.XX
2							
3							
4							
5							
6							
7							
8							
9							
10							
11							
12							
13							
14							
15							
16							
17							
18							
19							
20							
21							
22							
23							
24							
25							
26							
27							
28							
29							
30							



Certified by: Robert Gray

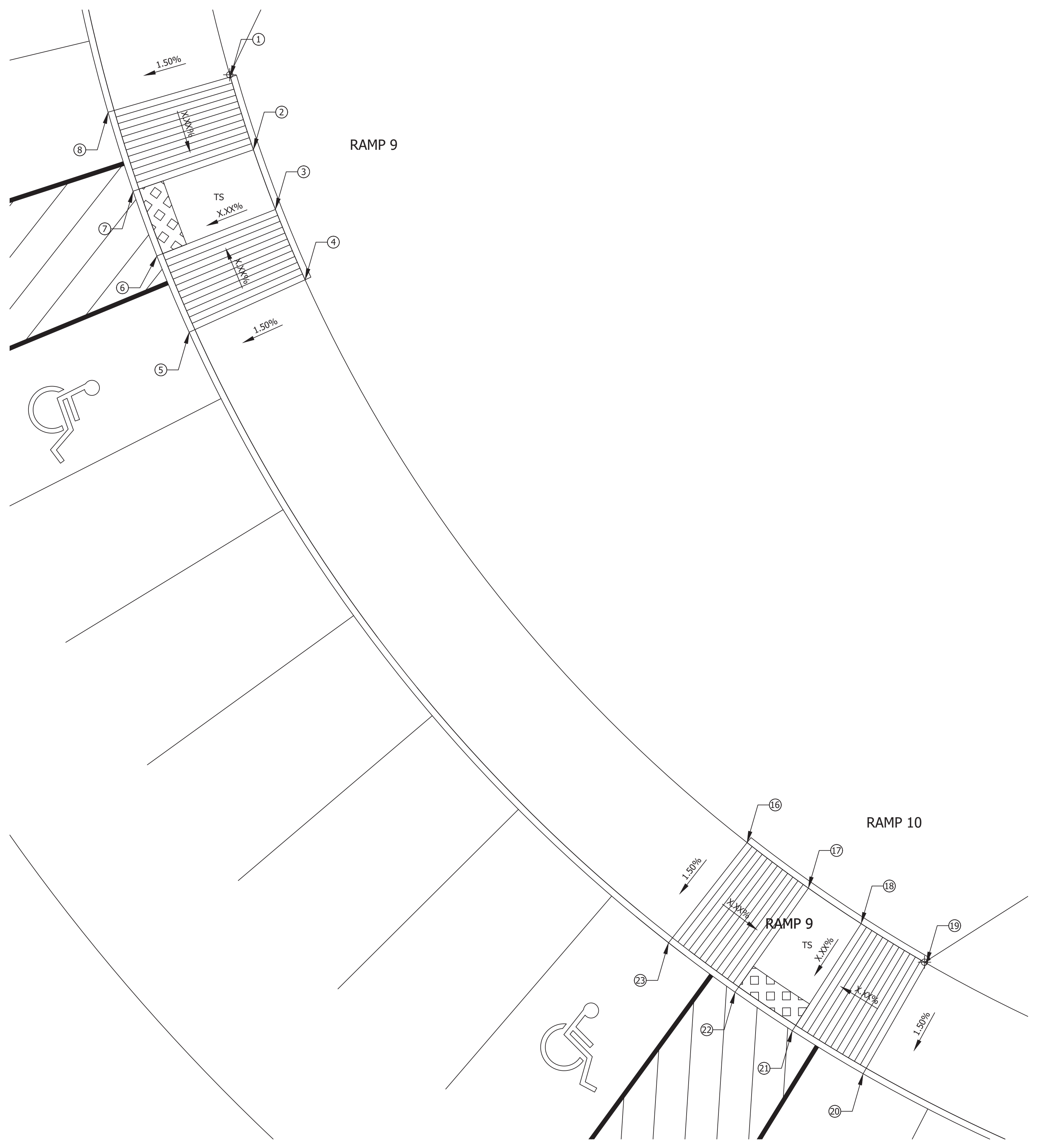


PUBLIC WORKS PROJECT NO. 84003001-22-058-C1  
 CLEAR CREEK WELCOME CENTER  
 VIGO COUNTY, INDIANA



STATE OF INDIANA  
 DEPARTMENT OF ADMINISTRATION  
**PUBLIC WORKS DIVISION**  
 ROOM W467, INDIANA GOVERNMENT CENTER SOUTH  
 402 WEST WASHINGTON STREET  
 INDIANAPOLIS, INDIANA 46204  
 317-232-3000

Revisions: \_\_\_\_\_  
 Project Number: **84003001-22-058-C1**  
 Requisition Number: \_\_\_\_\_  
 Account Number: \_\_\_\_\_  
 Designer: **ENG** Drawing Date: **MMMMM YYYY**  
 Drafter: **TEC** Drawing Scale: **1"=20'**  
 DAPW Approval: \_\_\_\_\_  
 Client Approval: \_\_\_\_\_  
 Reference Number: **1364**  
 Building Reference: \_\_\_\_\_  
 Drawing Number: **C109-R7-8**  
 Sheet: \_\_\_\_\_ of **TBD**



CURB RAMP NO. 9 and 10 DETAIL  
SCALE : 1" = 5'

Curb Ramp 9 and 10							
ID #	Station	Offset	Bottom of Curb Elev. (ft)	Top of Curb Elev. (ft)	Base of Ramp Elev. (ft)	Top of Ramp Elev. (ft)	Turning Space Elev. (ft.)
1	XXX.XX	XXX.XX	XXX.XX	XXX.XX	XXX.XX	XXX.XX	XXX.XX
2							
3							
4							
5							
6							
7							
8							
9							
10							
11							
12							
13							
14							
15							
16							
17							
18							
19							
20							
21							
22							
23							
24							
25							
26							
27							
28							
29							
30							



Certified by: Robert Gray  
**JSE**  
JANSSEN & SPAANS ENGINEERING  
9120 Harrison Park Court  
Indianapolis, Indiana 46268  
Business (317) 254-0000 Fax (317) 252-0202

**RATIO**  
LANDSCAPE ARCHITECTURE  
30 W. Monroe Street, Suite 500  
Chicago, IL 60603  
T: 312.465.2359  
www.ratiodesign.com

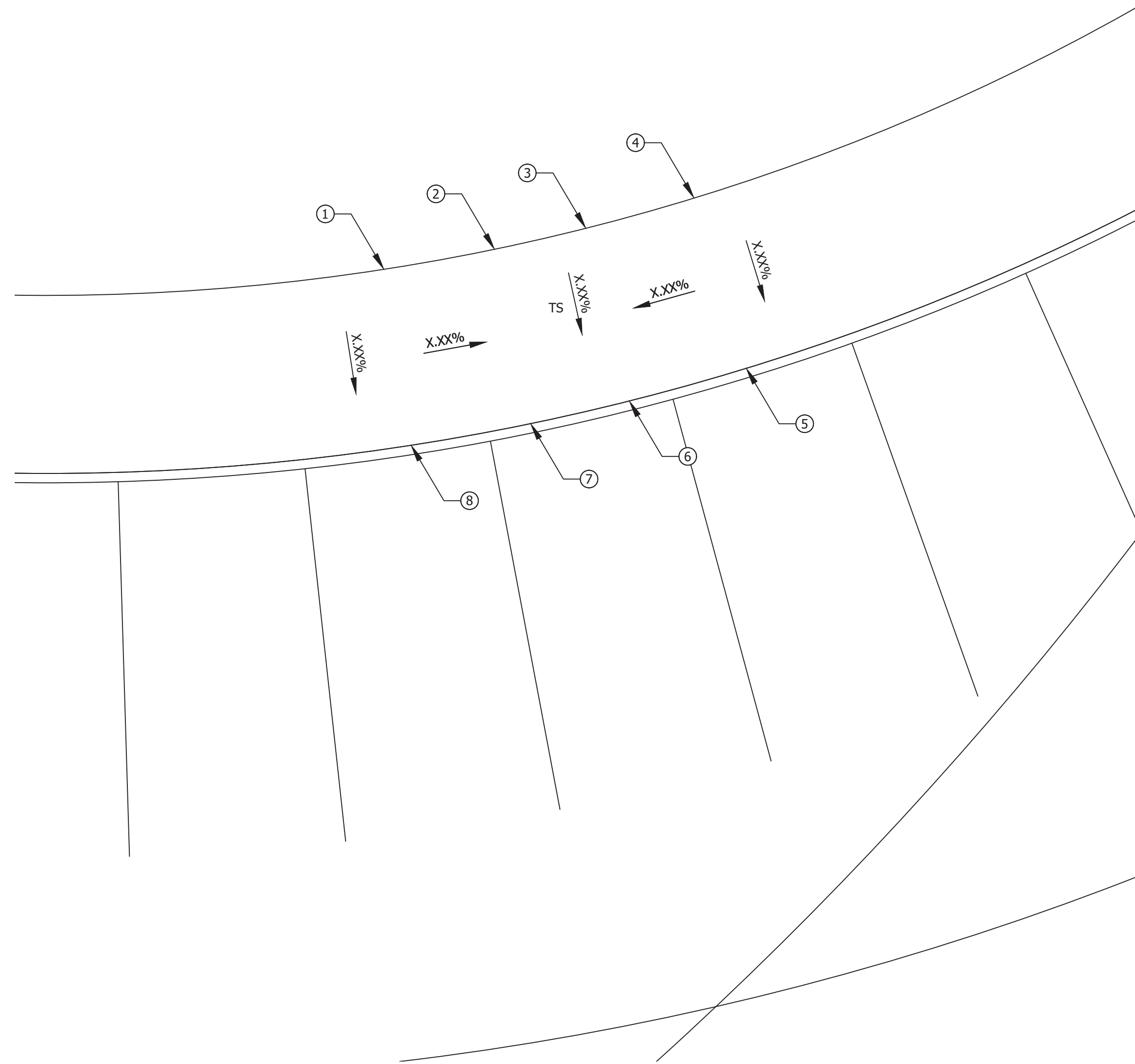
PUBLIC WORKS PROJECT NO. 84003001-22-058-C1  
CLEAR CREEK WELCOME CENTER  
VIGO COUNTY, INDIANA

STATE OF INDIANA  
DEPARTMENT OF ADMINISTRATION  
**PUBLIC WORKS DIVISION**  
ROOM W407, INDIANA GOVERNMENT CENTER SOUTH  
402 WEST WASHINGTON STREET  
INDIANAPOLIS, INDIANA 46204  
317-232-3000

Revisions:  
Project Number: 84003001-22-058-C1  
Requisition Number:  
Account Number:  
Designer: ENG Drawing Date: MYYYY  
Drafter: TEC Drawing Scale: 1"=20'  
DAPW Approval:  
Client Approval:  
Reference Number: 1364  
Building Reference:  
Drawing Number: C109-R9-10  
Sheet: --- of TBD

Last Saved By: mreed Printed: 12/17/22 P:\1364 - Clear Creek Welcome Center\WORKS\SITE SHEETS\WB WELCOME CENTER\1364-EB-C120 SITE RAMP.dwg Dec 01, 2022 - 4:28:48 pm

Last Saved By: mreed Printed: 12/7/22  
 P:\1364 - Clear Creek Welcome Center\DWG\SITE SHEETS\1364-EB-C120 SITE RAMP.dwg Dec 01, 2022 - 4:29:53 pm



**CURB RAMP NO. 11 DETAIL**  
 SCALE : 1" = 5'

Curb Ramp 11							
ID #	Station	Offset	Bottom of Curb Elev. (ft)	Top of Curb Elev. (ft)	Base of Ramp Elev. (ft)	Top of Ramp Elev. (ft)	Turning Space Elev. (ft.)
1	XXX.XX	XXX.XX	XXX.XX	XXX.XX	XXX.XX	XXX.XX	XXX.XX
2							
3							
4							
5							
6							
7							
8							
9							
10							
11							
12							
13							
14							
15							
16							
17							
18							
19							
20							
21							
22							
23							
24							
25							
26							
27							
28							
29							
30							



Certified by: Robert Gray



PUBLIC WORKS PROJECT NO. 84003001-22-058-C1  
 CLEAR CREEK WELCOME CENTER  
 VIGO COUNTY, INDIANA



STATE OF INDIANA  
 DEPARTMENT OF ADMINISTRATION  
**PUBLIC WORKS DIVISION**  
 ROOM W467, INDIANA GOVERNMENT CENTER SOUTH  
 402 WEST WASHINGTON STREET  
 INDIANAPOLIS, INDIANA 46204  
 317-232-3000

Revisions:

Project Number: 84003001-22-058-C1  
 Requisition Number:

Account Number:

Designer: ENG Drawing Date: MMYMM YYYY  
 Drafter: TEC Drawing Scale: 1"=20'

DAPW Approval:

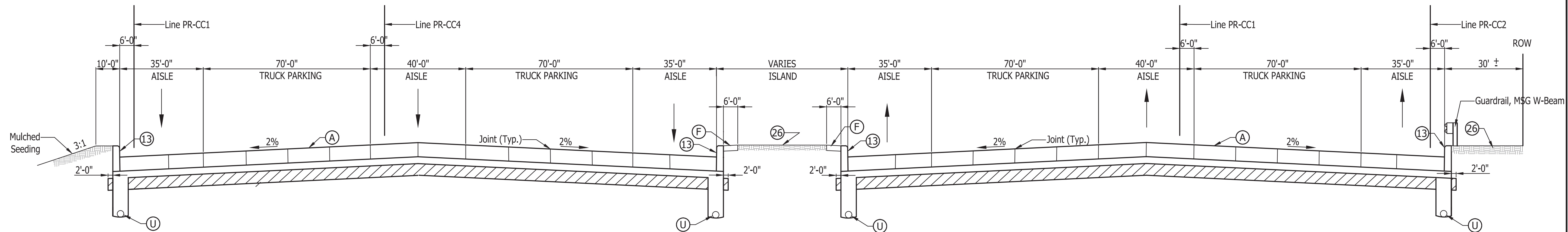
Client Approval:

Reference Number: 1364

Building Reference:

Drawing Number: C109-R11-

Sheet: --- of TBD

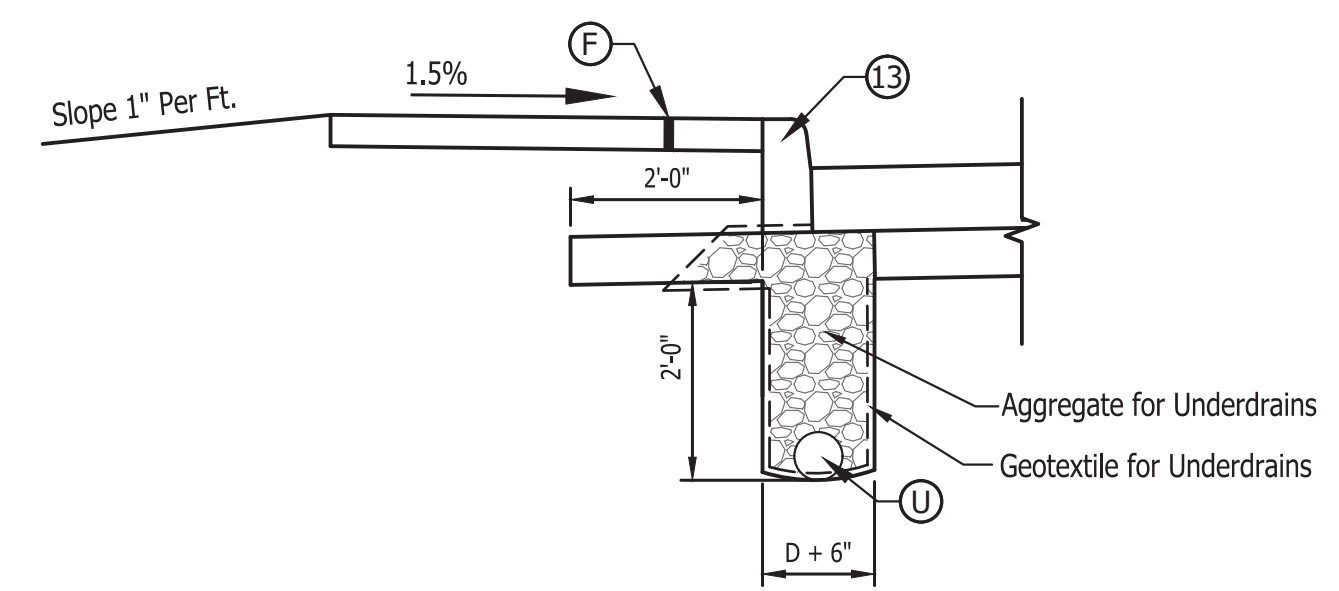


**Typical Section Truck Parking**  
Truck Parking

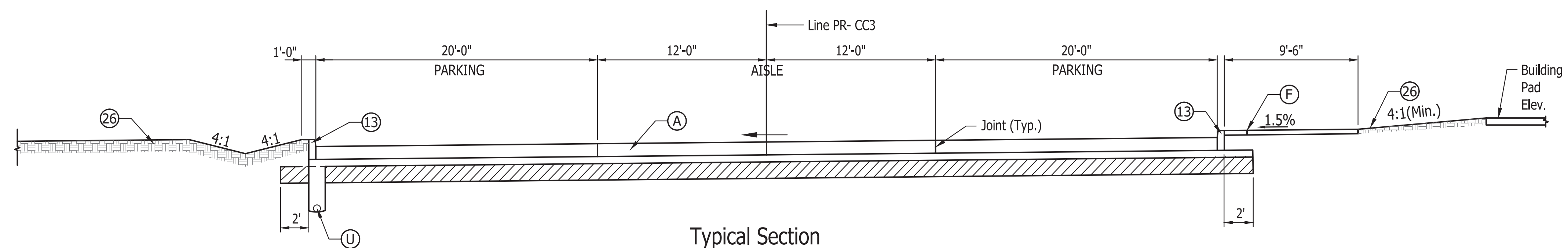
NOT TO SCALE

**Legend**

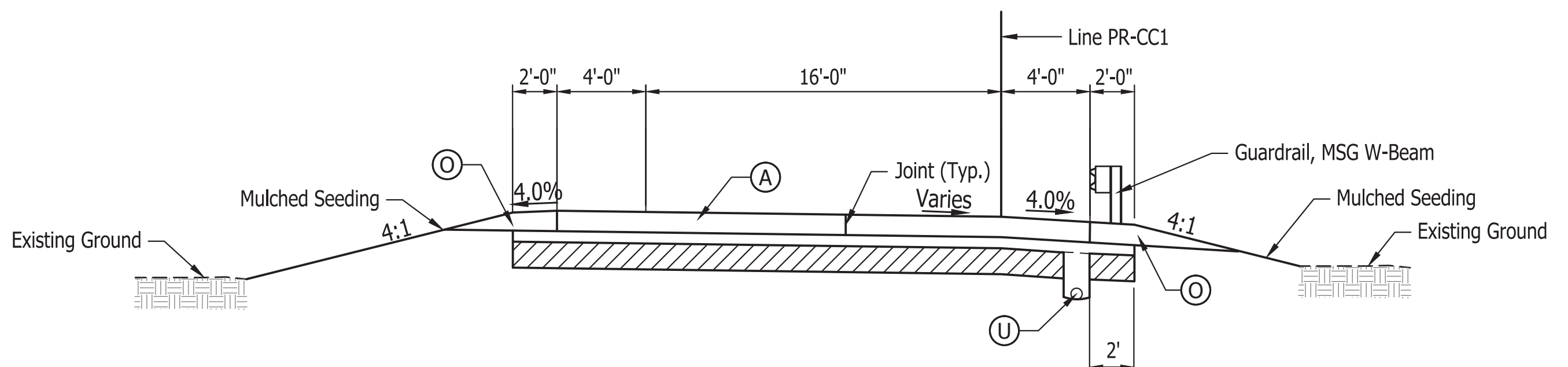
- (A) 11 Inch, QC/QA PCCP, On 6 Inch Compacted Aggregate No.53 Base On Geotextile For Subgrade Type 2A, On Subgrade Treatment, Type IBC
- (F) Sidewalk, Concrete, 4"
- (U) Compacted Aggregate, No.53
- (13) 6" Underdrain
- (13) Curb, Integral Concrete
- (26) Sodding



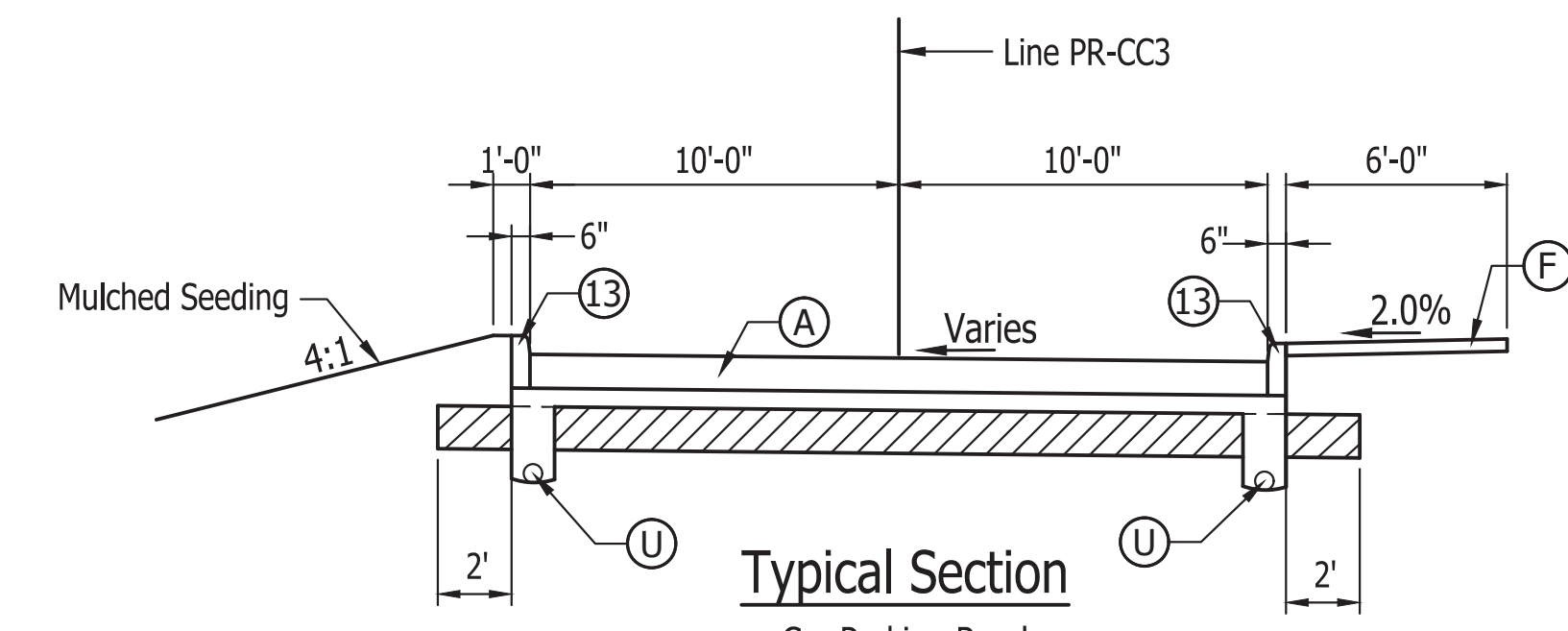
**Underdrain Detail at Sidewalk**  
Scale 1/2"=1'-0"



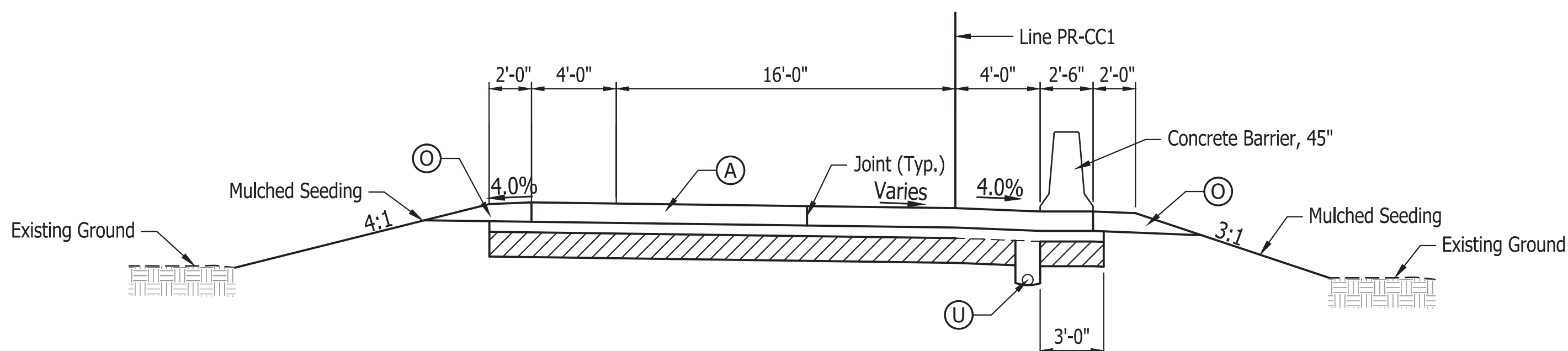
**Typical Section**  
Car Parking Lot



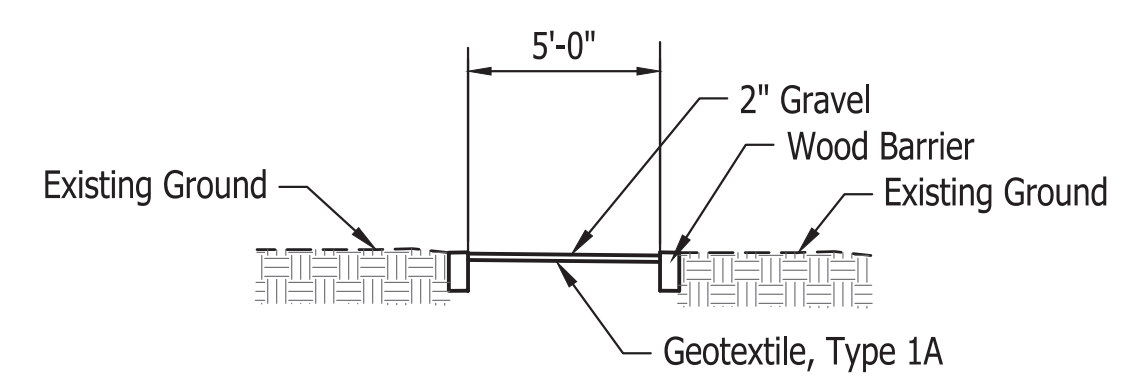
**Typical Section Entrance Ramp**  
Ramp PCCP With Shoulders  
Scale 1"=5'



**Typical Section**  
Car Parking Road  
Scale 1"=5'



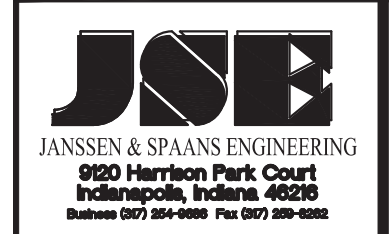
**Typical Section Exit Ramp**  
Ramp PCCP With Shoulders  
Scale 1"=5'



**Typical Section**  
Walking Path  
Scale 1"=5'

Last Saved By: mreed Printed: 2/7/22  
 P:\1364 - Clear Creek Welcome Center\WORKSHEETS\WELCOME CENTER\1364-EB-C110 SITE TYPICAL.dwg Dec 01, 2022 - 4:50:02 PM

Certified by: Robert Gray



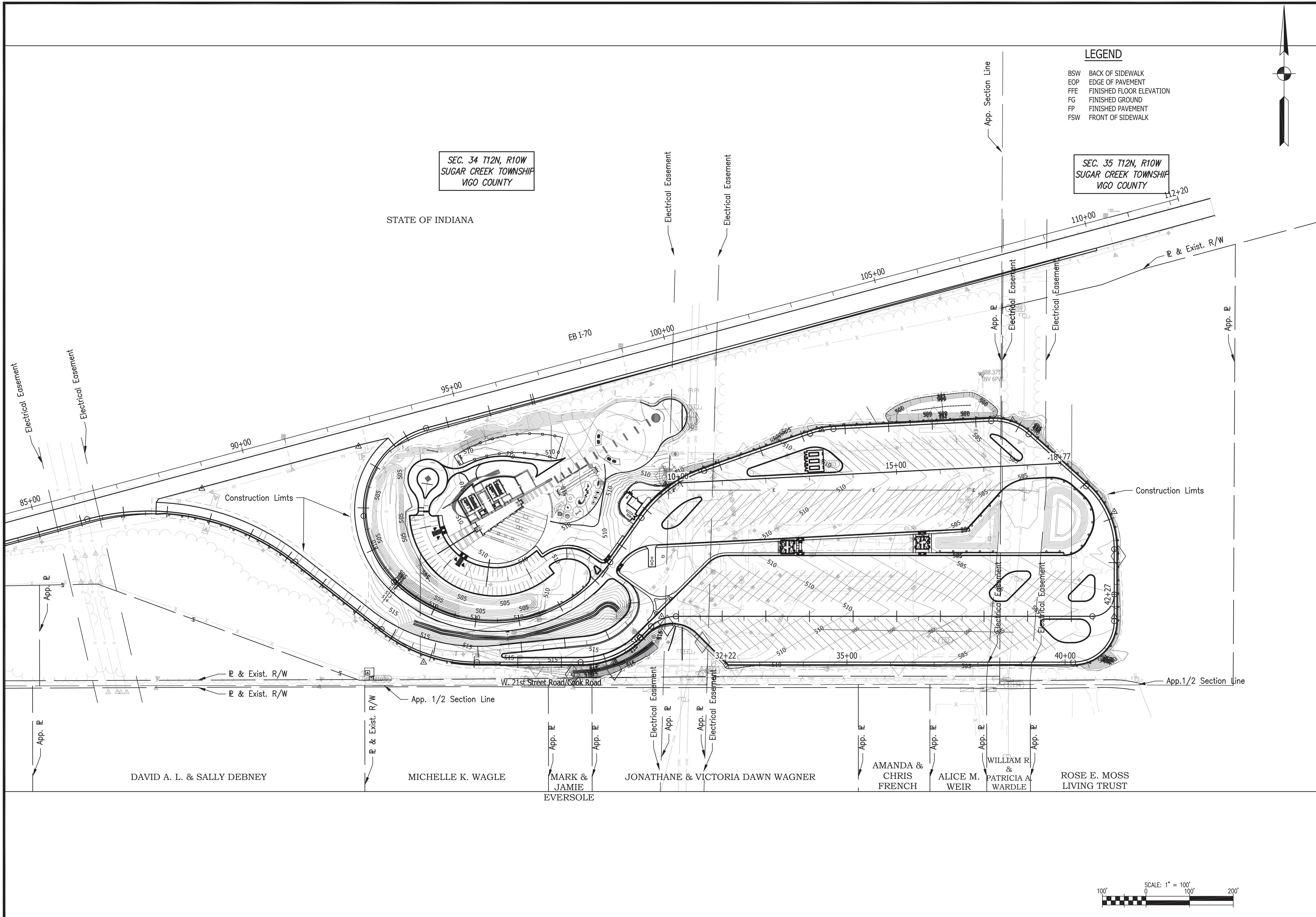
PUBLIC WORKS PROJECT NO. 84-003001-22-058-C1  
 CLEAR CREEK WELCOME CENTER  
 VIGO COUNTY, INDIANA



STATE OF INDIANA  
 DEPARTMENT OF ADMINISTRATION  
 PUBLIC WORKS DIVISION  
 ROOM 9407, INDIANA GOVERNMENT CENTER SOUTH  
 402 WEST WASHINGTON STREET  
 INDIANAPOLIS, INDIANA 46204  
 317-232-3000

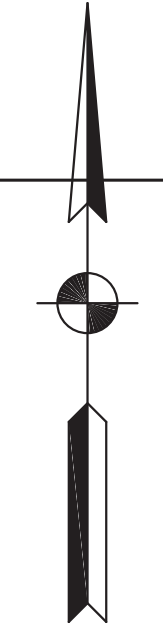
Revisions:	
Project Number:	84003001-22-058-C1
Requestion Number:	
Account Number:	
Designer:	ENG
Drawing Date:	MMMMM YYYY
Drafter:	TEC
Drawing Scale:	1"=50'
DAPW Approval:	
Client Approval:	
Reference Number:	1364
Building Reference:	
Drawing Number:	C110
Sheet:	of TBD

Last Saved By: mreed Printed: 12/17/22  
 P:\1364 - Clear Creek Welcome Center\1364-EB-C200 DRAWING PUBLISHING Dec 01, 2022 - 4:30:28 pm



**LEGEND**

BSW	BACK OF SIDEWALK
EOP	EDGE OF PAVEMENT
FFE	FINISHED FLOOR ELEVATION
FG	FINISHED GROUND
FP	FINISHED PAVEMENT
FSW	FRONT OF SIDEWALK



Certified by: Robert Gray

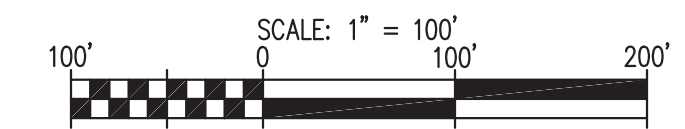
**JSE**  
 JANSSEN & SPAANS ENGINEERING  
 950 Harrison Park Court  
 Indianapolis, Indiana 46285  
 Phone: (317) 252-2222 Fax: (317) 252-2222

**synthesis**  
**RATIO**  
 LANDSCAPE ARCHITECTURE  
 30 W. Monroe Street, Suite 500  
 Chicago, IL 60603  
 T: 312.465.2359  
 www.ratiodesign.com

PUBLIC WORKS PROJECT NO. 84003001-22-058-C1  
 CLEAR CREEK WELCOME CENTER  
 VIGO COUNTY, INDIANA

STATE OF INDIANA  
 DEPARTMENT OF ADMINISTRATION  
**PUBLIC WORKS DIVISION**  
 ROOM 9497, INDIANA GOVERNMENT CENTER SOUTH  
 402 WEST WASHINGTON STREET  
 INDIANAPOLIS, INDIANA 46204  
 317-232-3000

Revisions:	
Project Number:	84003001-22-058-C1
Requestion Number:	
Account Number:	
Designer:	ENG
Drawing Date:	MMMMM YYYY
Drafter:	TEC
Drawing Scale:	1"=100'
DAPW Approval:	
Client Approval:	
Reference Number:	1364
Building Reference:	
Drawing Number:	C200
Sheet:	of TBD

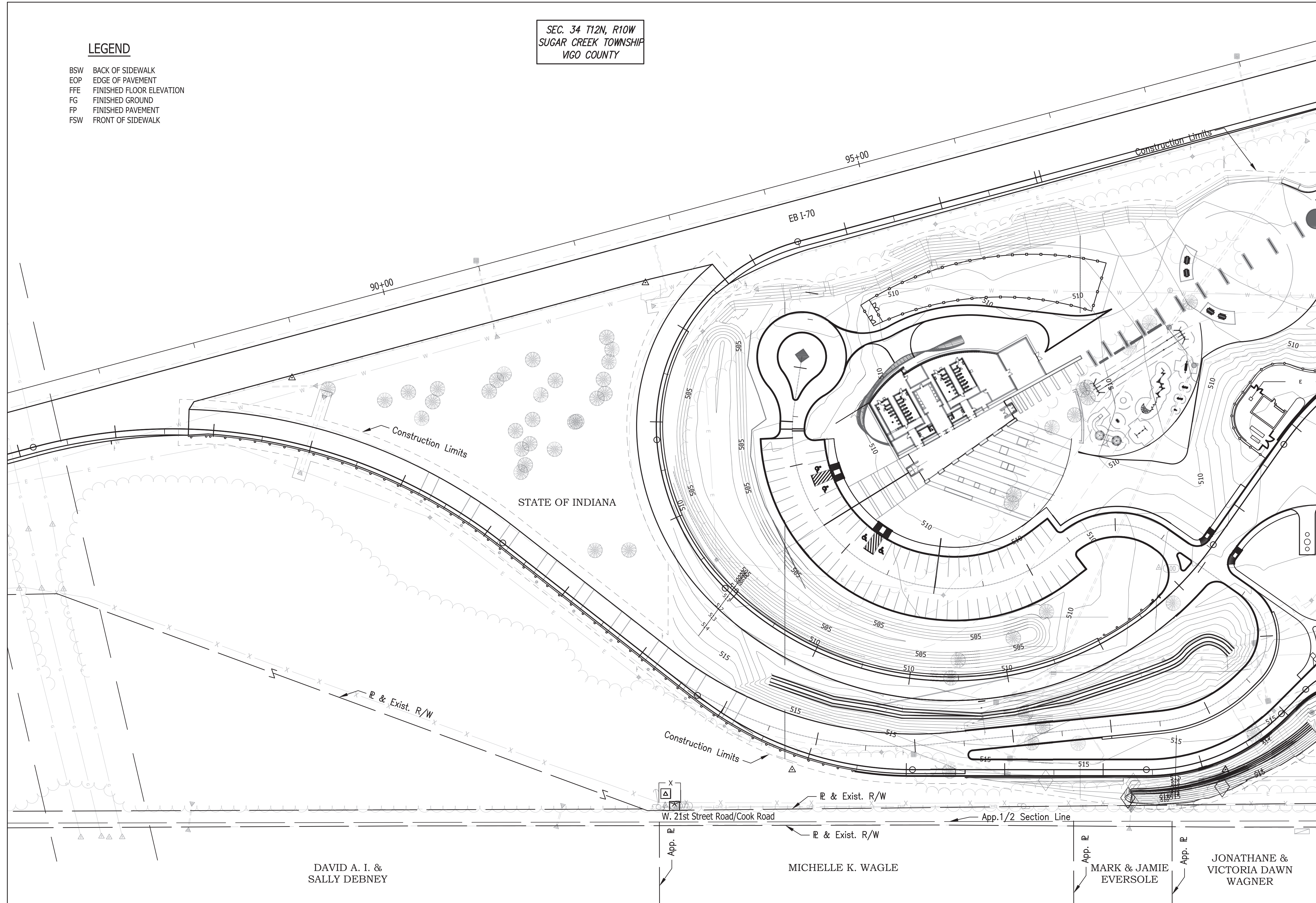




**LEGEND**

- BSW BACK OF SIDEWALK
- EOP EDGE OF PAVEMENT
- FFE FINISHED FLOOR ELEVATION
- FG FINISHED GROUND
- FP FINISHED PAVEMENT
- FSW FRONT OF SIDEWALK

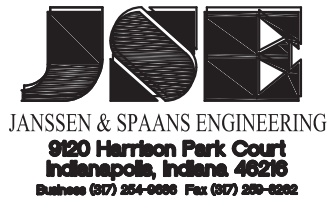
SEC. 34 T12N, R10W  
SUGAR CREEK TOWNSHIP  
VIGO COUNTY



MATCHLINE SEE SHEET C201

Last Saved By: mreed Printed: 12/17/22 P:\1364 - Clear Creek Welcome Center\WORKS\SITE SHEETS\WEB WELCOME CENTER\1364-EB-C200 DRAWING PUBLISHING Due 01\_2022-4:30:32 pm

Certified by: Robert Gray



PUBLIC WORKS PROJECT NO. 84003001-22-058-C1  
CLEAR CREEK WELCOME CENTER  
VIGO COUNTY, INDIANA



STATE OF INDIANA  
DEPARTMENT OF ADMINISTRATION  
**PUBLIC WORKS DIVISION**  
ROOM 9407, INDIANA GOVERNMENT CENTER SOUTH  
402 WEST WASHINGTON STREET  
INDIANAPOLIS, INDIANA 46204  
317-232-3000

Revisions:

Project Number: 84003001-22-058-C1  
Requisition Number:

Account Number:

Designer: ENG Drawing Date: MMMMM YYYY

Drafter: TEC Drawing Scale: 1"=50'

DAPW Approval:

Client Approval:

Reference Number: 1364

Building Reference:

Drawing Number: C201

Sheet: --- of TBD

