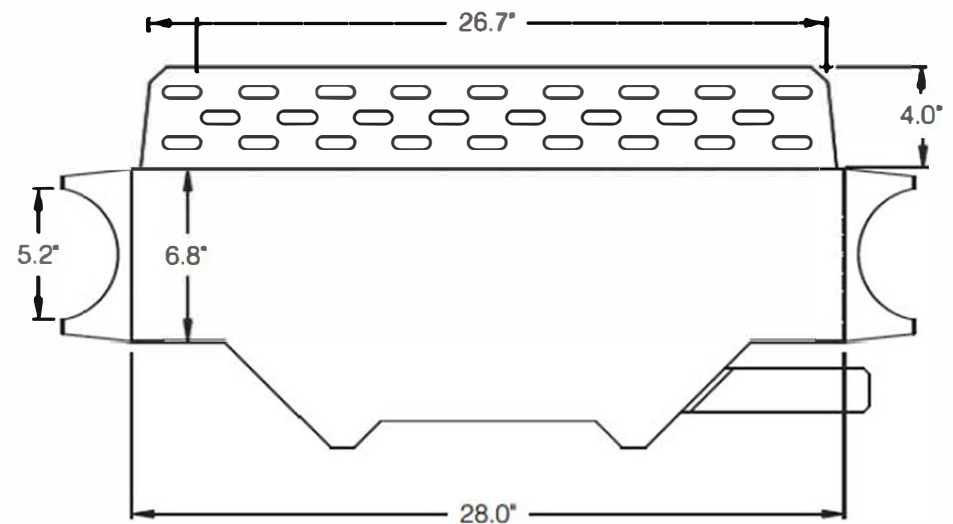
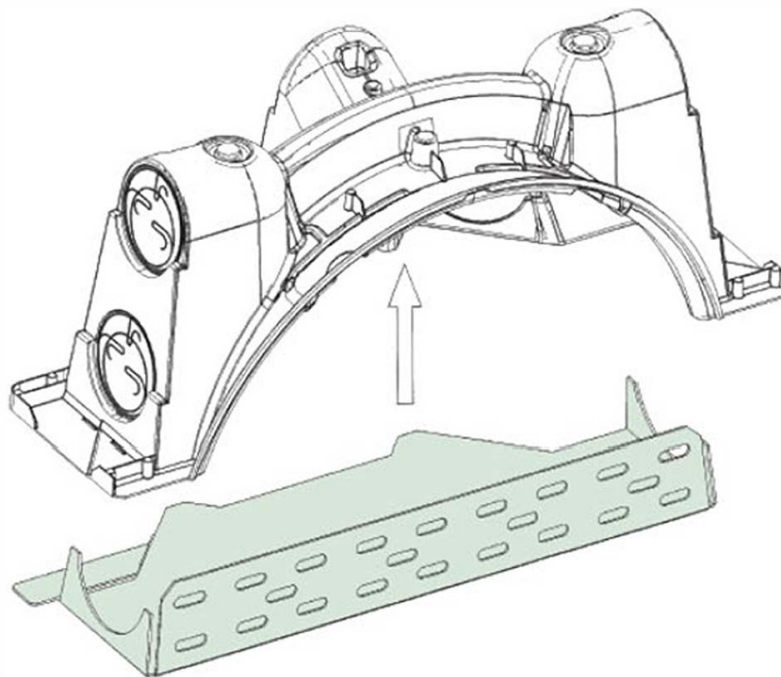


The Quick4[®] High Flow Splash Plate



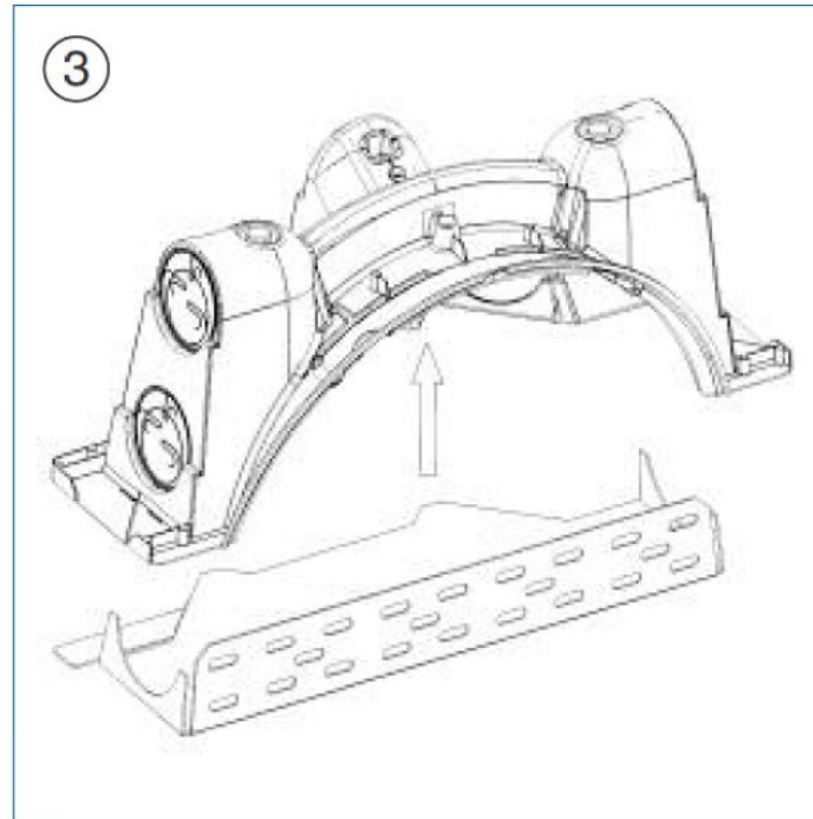
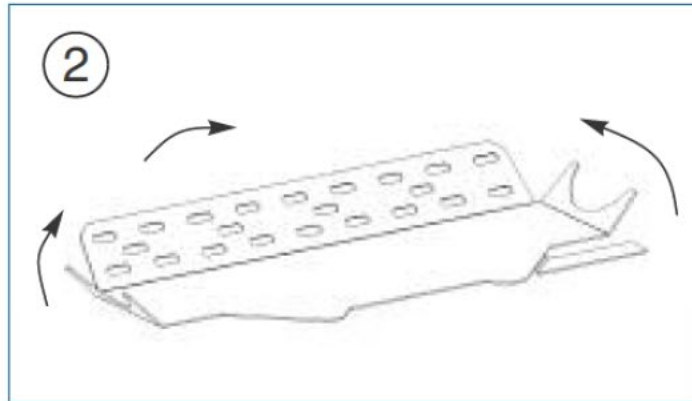
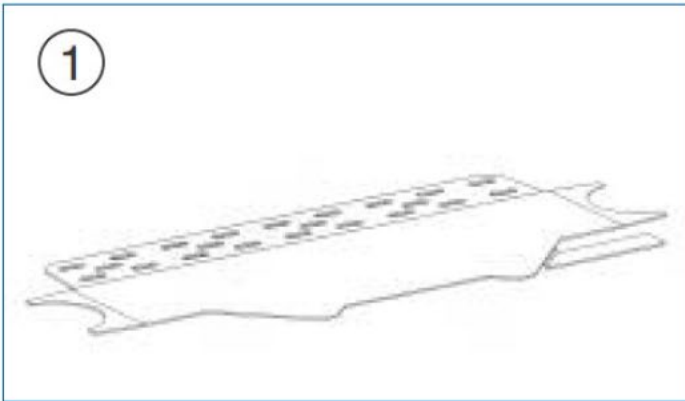
Top View

The High Flow Splash Plate is designed for use with the Quick4[®] Standard Chamber's MultiPort™ end cap. The splash plate prevents soil erosion below the invert, and can be used in conjunction with any pump or pressure system. No special tools or adhesives are needed for installation.



The Quick4[®] High Flow Splash Plate

Installation Instructions



Quick4 High Flow Splash Plate Specifications

Size (W x L x H).....6.8" x 28" x 4"