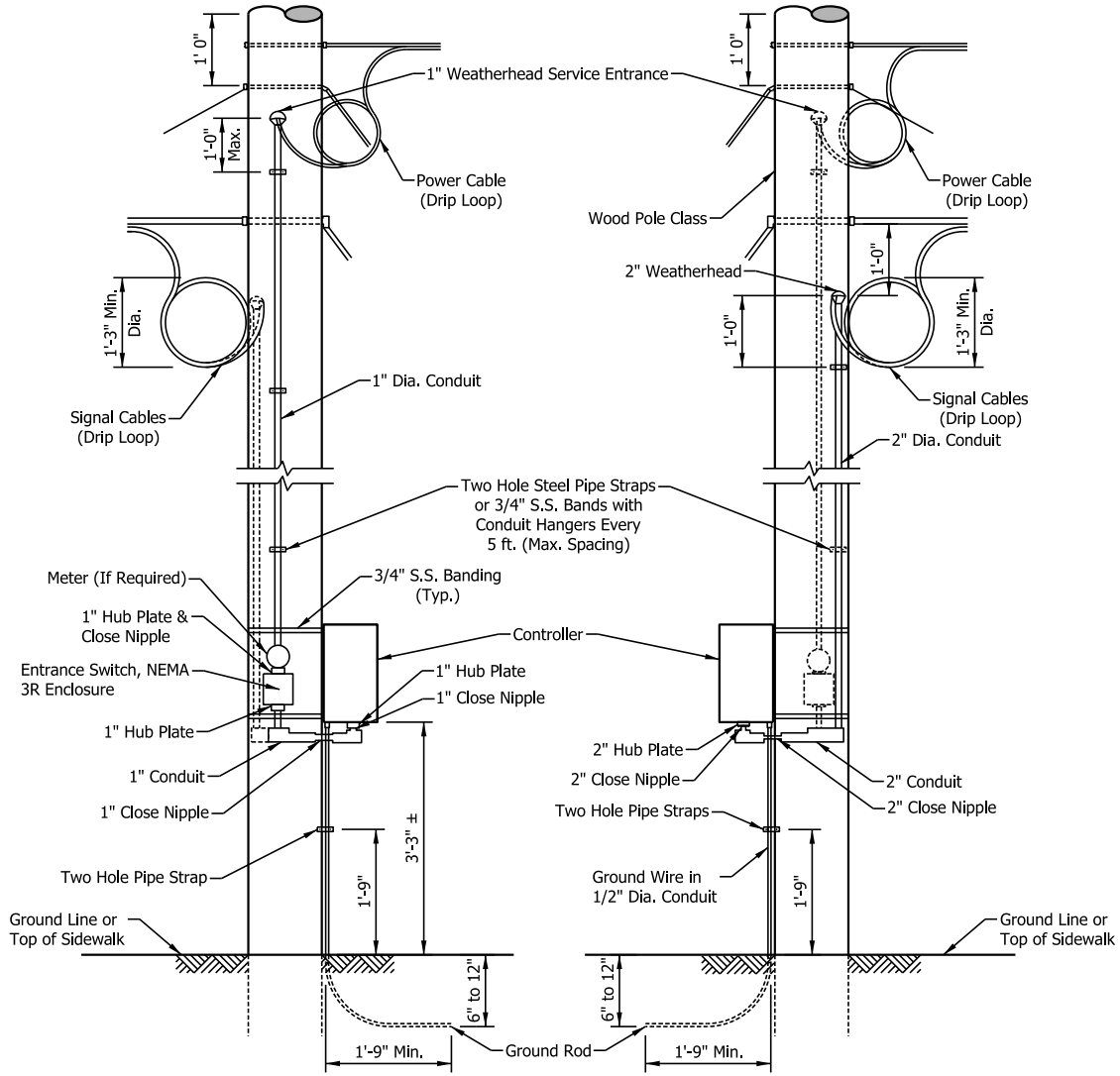


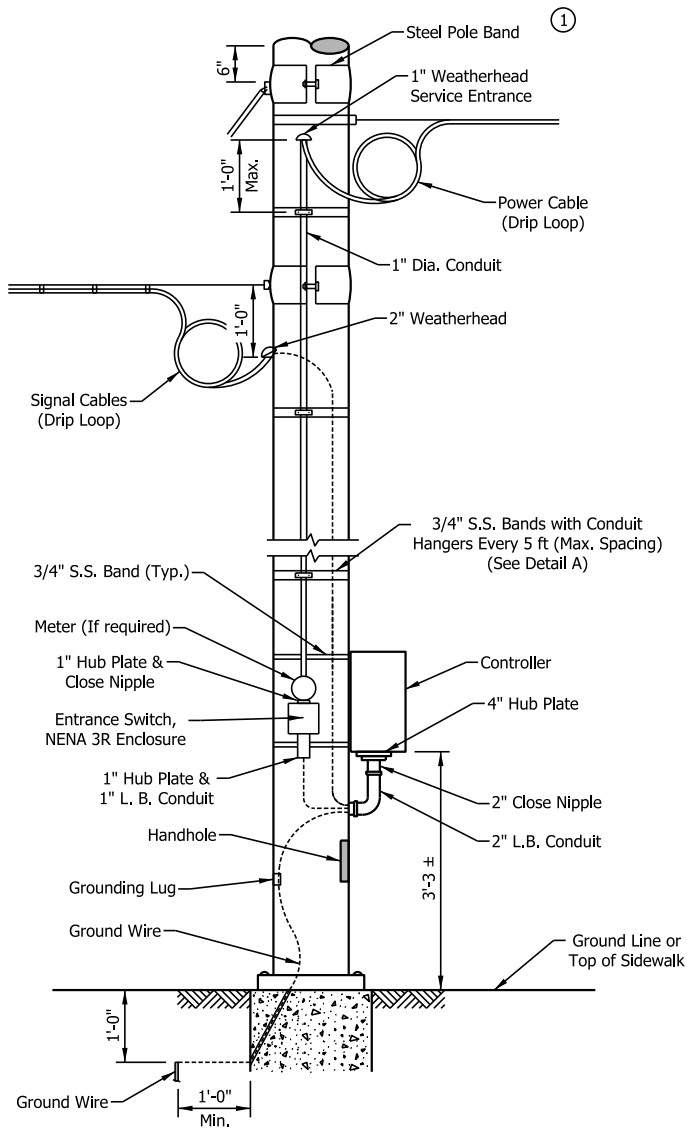
INDEX

SHEET NO.	SUBJECT
1	Signal Index and General Notes
2	Signal Service & Controller Mounted on Wood Pole
3	Signal Service & Controller Mounted on Steel Pole
4	Signal Service On Wood Pole
5	Signal Indication Mounted on Steel Pole
6	Signal Indication Mounted on Wood Pole
7	Pedestal Mounted Signal Indications
8	Controller Cabinet Type G On Pedestal



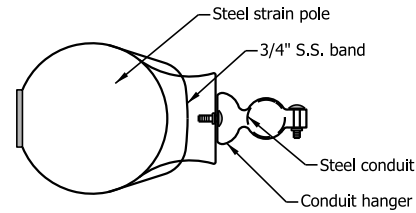
INDIANA DEPARTMENT OF TRANSPORTATION

SIGNAL SERVICE & CONTROLLER
MOUNTED ON WOOD POLE



NOTES:

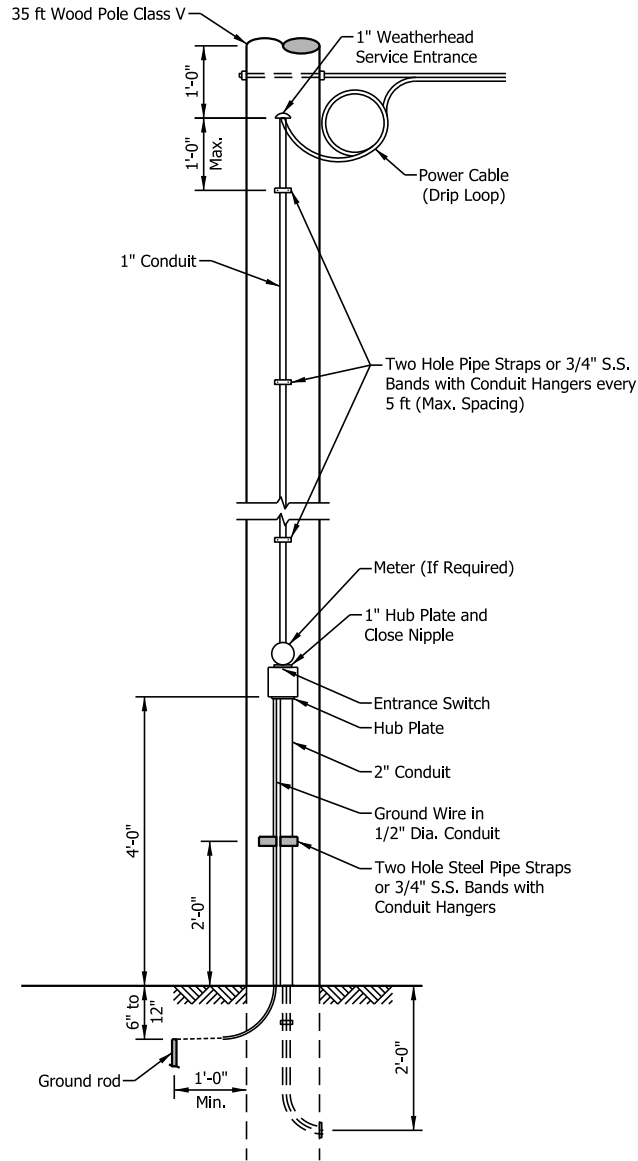
① See Standard Drawing E 805-SGSP-03 for details of bands.



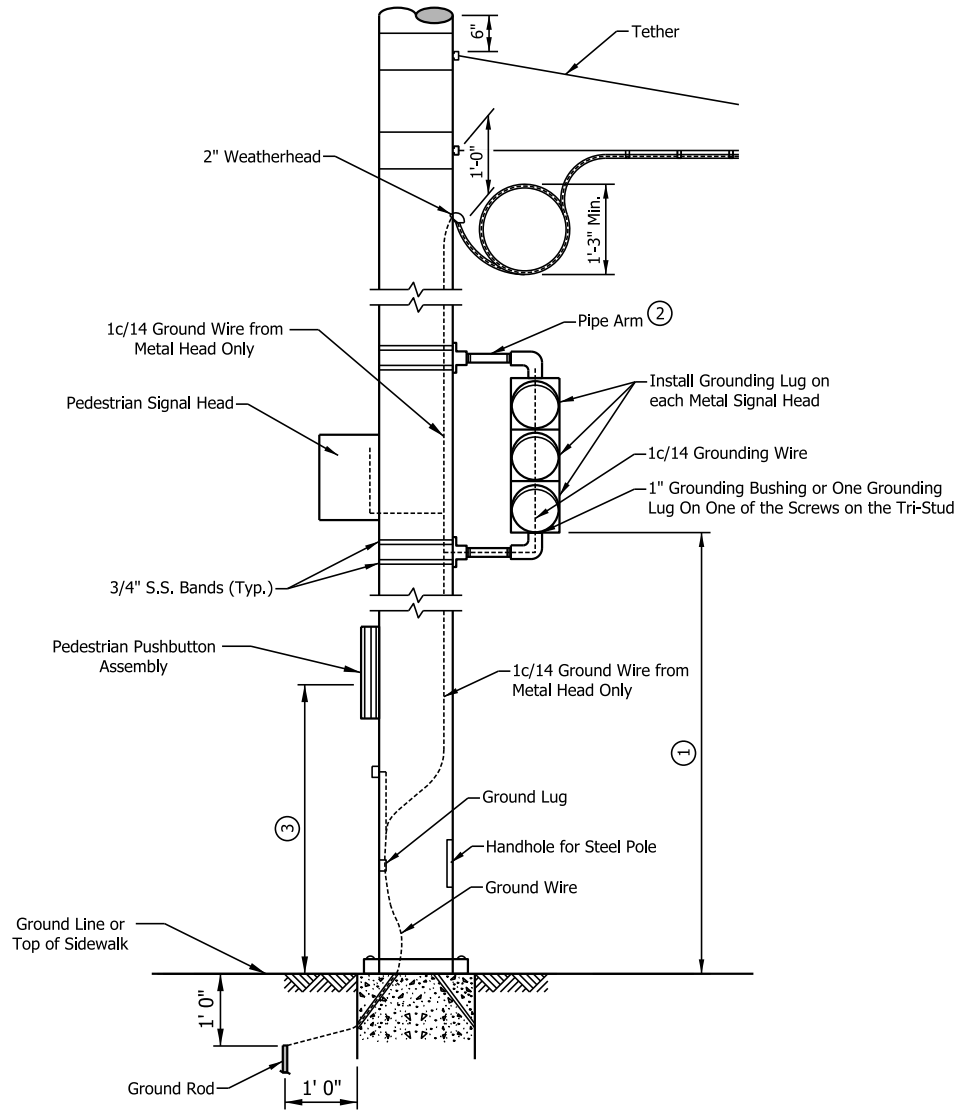
DETAIL A

INDIANA DEPARTMENT OF TRANSPORTATION

SIGNAL SERVICE & CONTROLLER
MOUNTED ON STEEL POLE



INDIANA DEPARTMENT OF TRANSPORTATION
SIGNAL SERVICE ON WOOD POLE

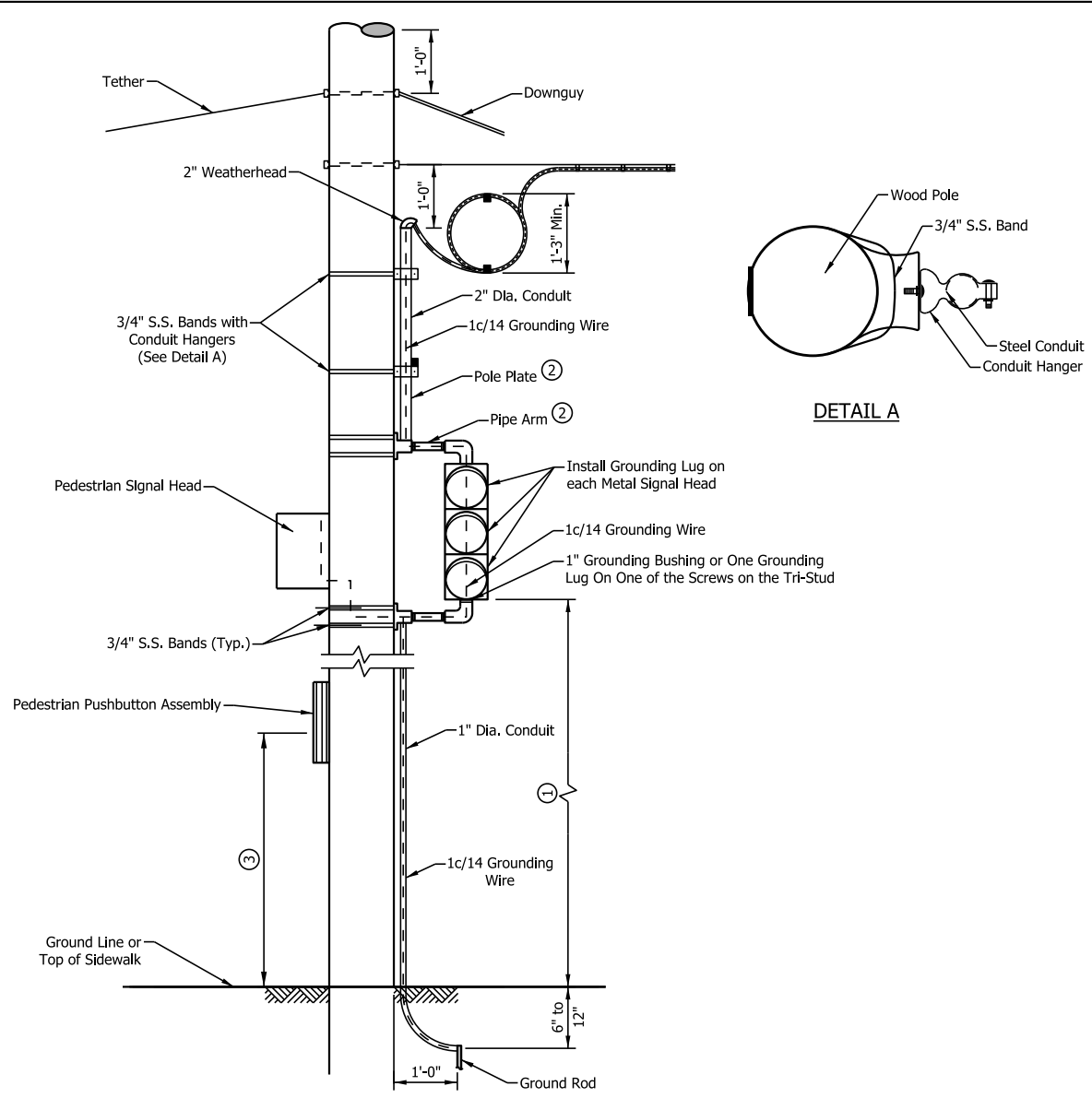


NOTES:

- ① This distance shall be 10'-0" to 15'-0" above centerline of pavement for vehicular signals and from 7'-0" to 10'-0" above top of sidewalk for pedestrian signals.
- ② Each pedestrian signal and each vehicular signal requires 2 pole plates and 2 pipe arms.
- ③ See Recurring Plan Detail E 805-T-201d Sheet 01 for pedestrian pushbutton assembly mounting height and unobstructed side reach.

INDIANA DEPARTMENT OF TRANSPORTATION

SIGNAL INDICATION MOUNTED
ON STEEL POLE

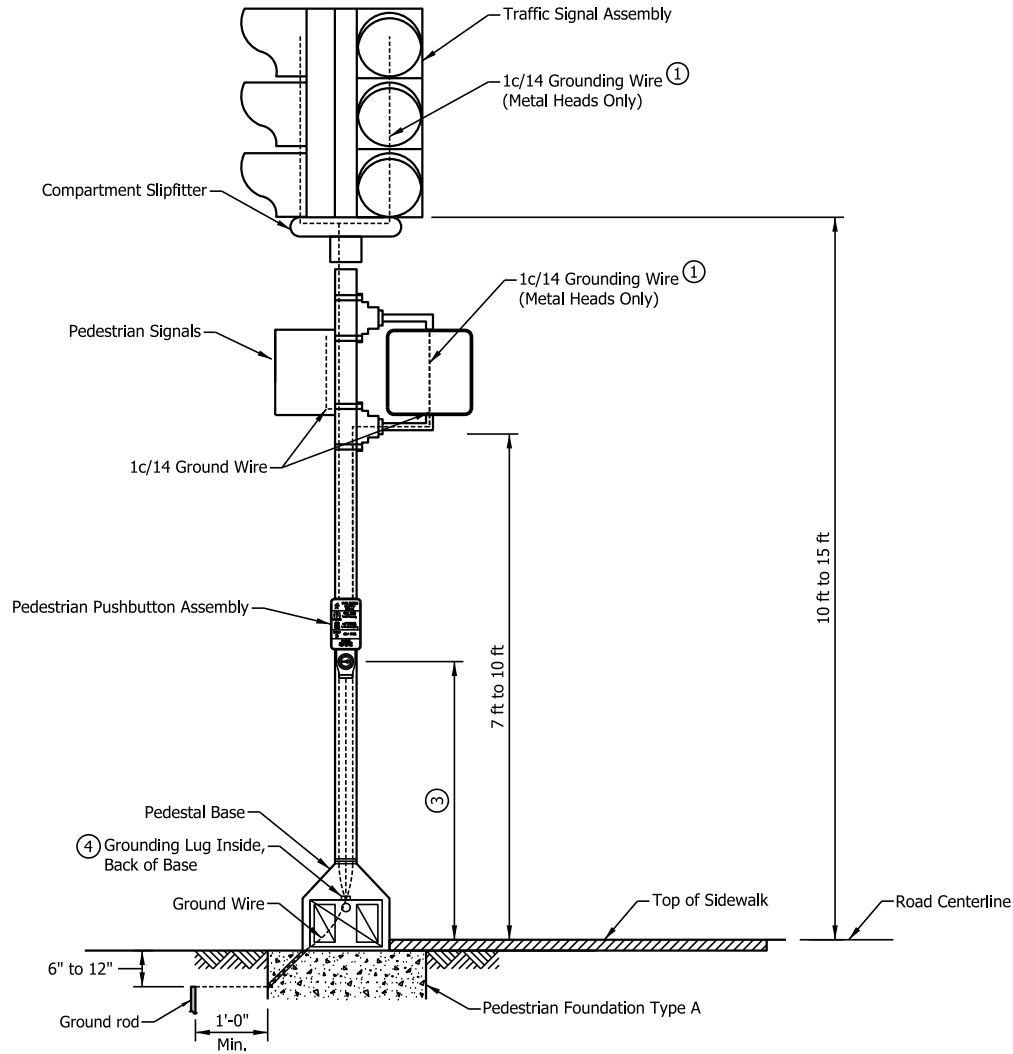


NOTES:

- ① This distance shall be 10'-0" to 15'-0" above centerline of pavement for vehicular signals and from 7'-0" to 10'-0" above top of sidewalk for pedestrian signals.
- ② Each pedestrian signal and each vehicular signal requires 2 pole plates and 2 pipe arms.
- ③ See Recurring Plan Detail E 805-T-201d Sheet 01 for pedestrian pushbutton assembly mounting height and unobstructed side reach.

DETAIL A

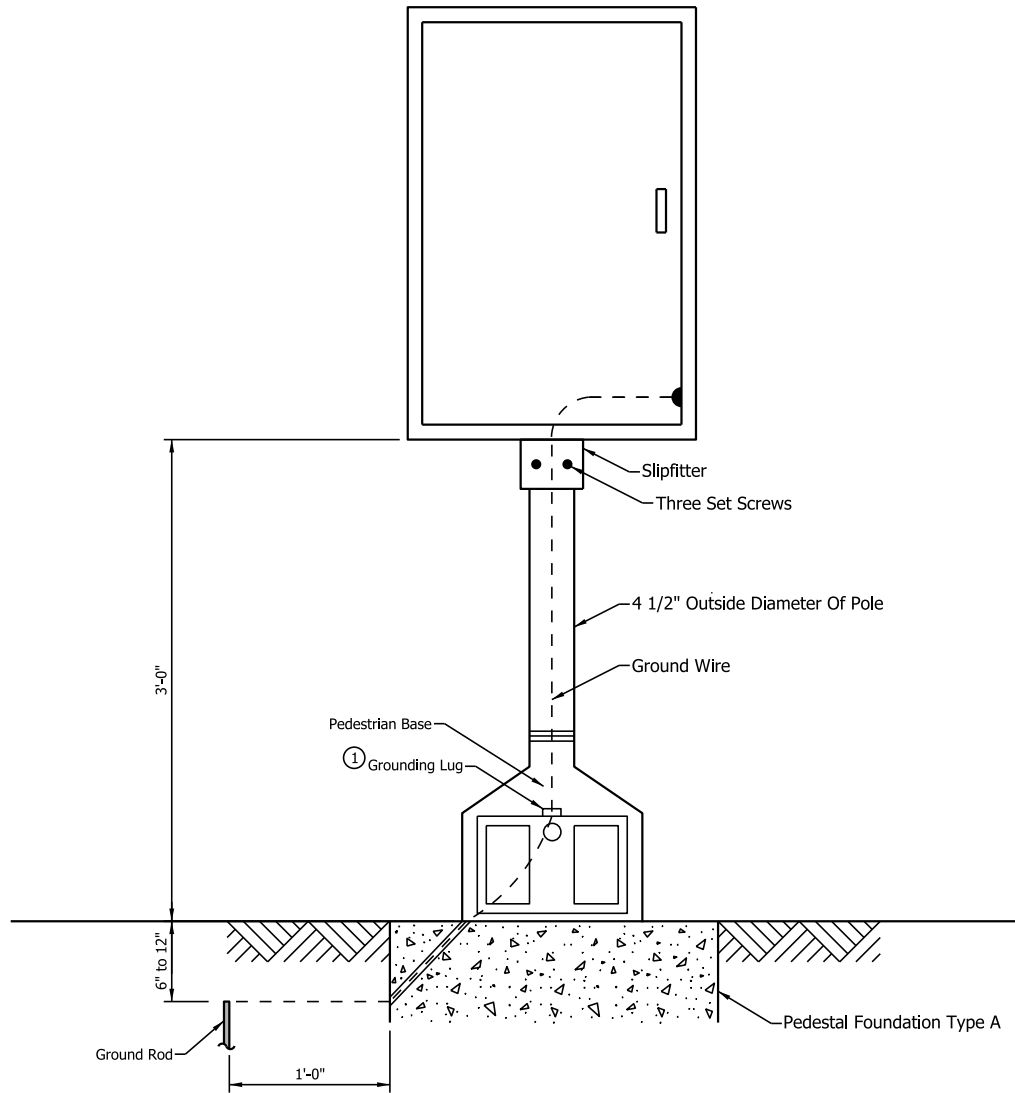
INDIANA DEPARTMENT OF TRANSPORTATION
 SIGNAL INDICATION MOUNTED
 ON WOOD POLE



NOTES:

- ① On metal signal heads grounding wire shall connect each signal head and the bottom grounding bushing of the assembly to the grounding lug.
2. Single conductor (hookup) shall be used from slipfitter terminal block to signal indications.
- ③ See Recurring Plan Detail E 805-T-201d Sheet 01 for pedestrian pushbutton assembly mounting height and unobstructed side reach.
- ④ See Standard Drawing E 805-SGGR-03 for grounding lug details.

INDIANA DEPARTMENT OF TRANSPORTATION
 PEDESTAL MOUNTED SIGNAL INDICATIONS



NOTES:

- ① See Standard Drawing E 805-SGGR-03 for grounding lug details.

INDIANA DEPARTMENT OF TRANSPORTATION
CONTROLLER CABINET TYPE G
ON PEDESTAL