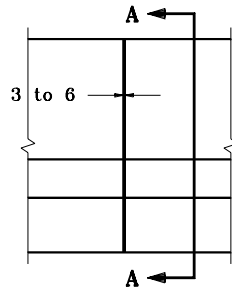
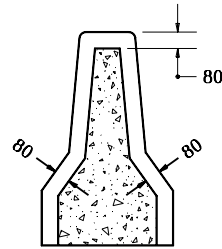


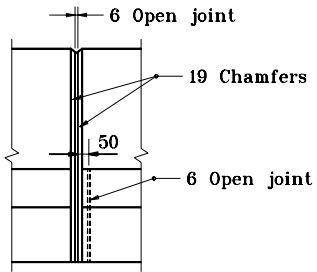
**JOINT A**



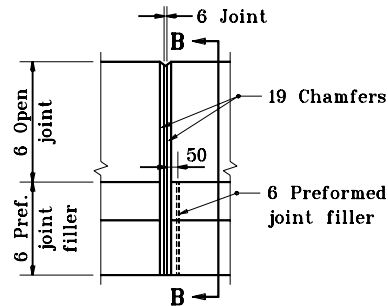
**JOINT B**



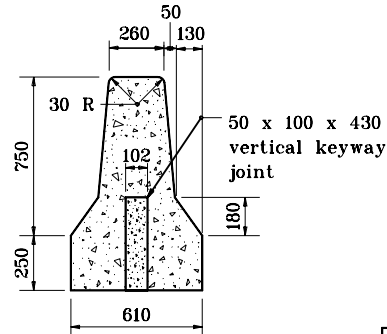
**SECTION A-A**



**JOINT C**



**JOINT D**



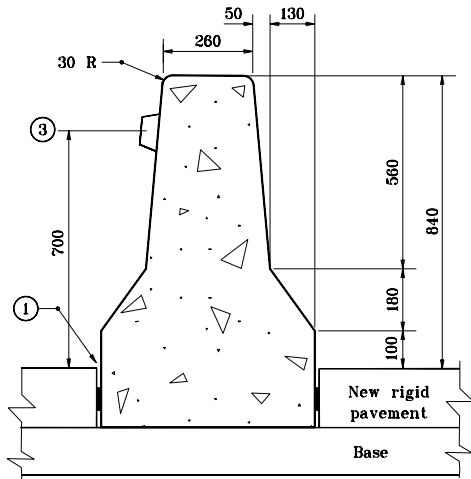
**SECTION B-B**

All dimensions are in mm unless otherwise specified.  
 INDIANA DEPARTMENT OF TRANSPORTATION

**CONCRETE MEDIAN BARRIER**

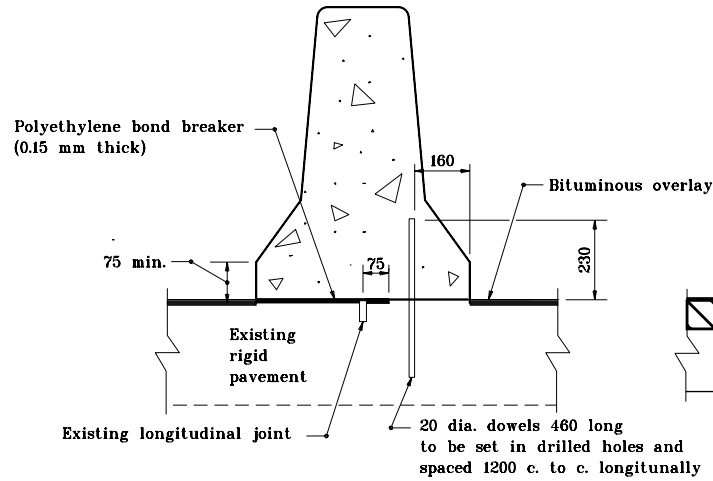
11/16/00

**TYPE 260A**



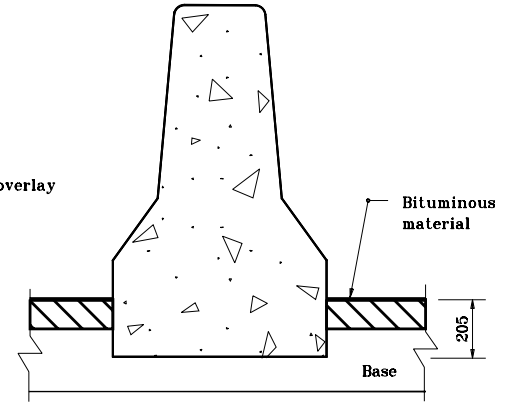
**NEW RIGID PAVEMENT**

**TYPE 260B**



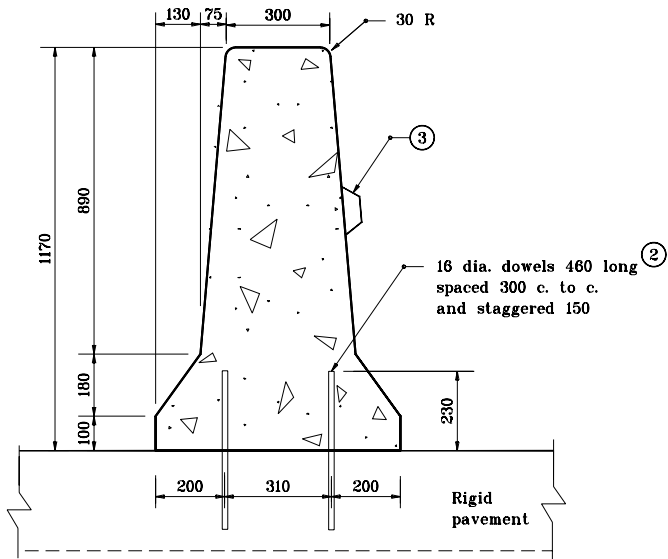
**NEW BITUMINOUS OVERLAY OVER  
EXISTING RIGID PAVEMENT**

**TYPE 260C**



**NEW FLEXIBLE PAVEMENT**

**TYPE 300A**



**BRIDGE APPROACH BARRIER  
WITH RIGID PAVEMENT**

**NOTES:**

- ① If concrete pavement or concrete shoulder abuts the concrete median barrier, a 6 mm preformed joint filler shall be placed between the barrier and the pavement.
- ② Dowels shall be either drilled and grouted or driven on existing rigid pavement.
- ③ Reflectors on concrete median barrier shall be spaced at a minimum of 12 m and shall be centered 700 above the surface of adjacent pavement or shoulder on both sides if traffic is on both sides.

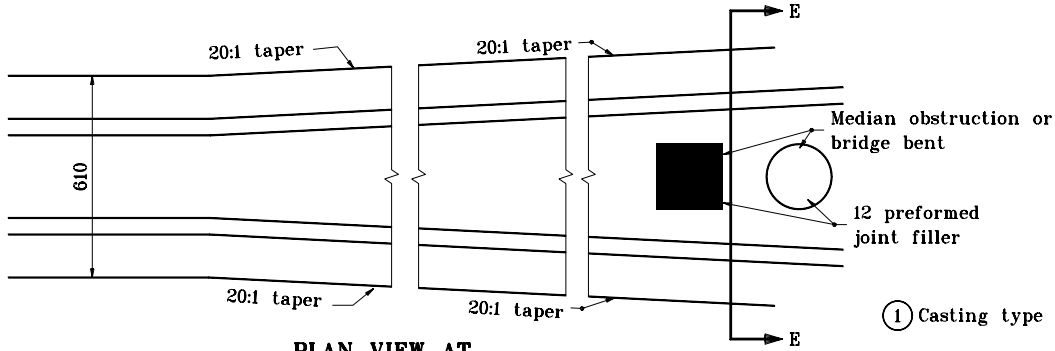
All dimensions are in mm unless otherwise specified.  
INDIANA DEPARTMENT OF TRANSPORTATION

**CONCRETE MEDIAN BARRIER**

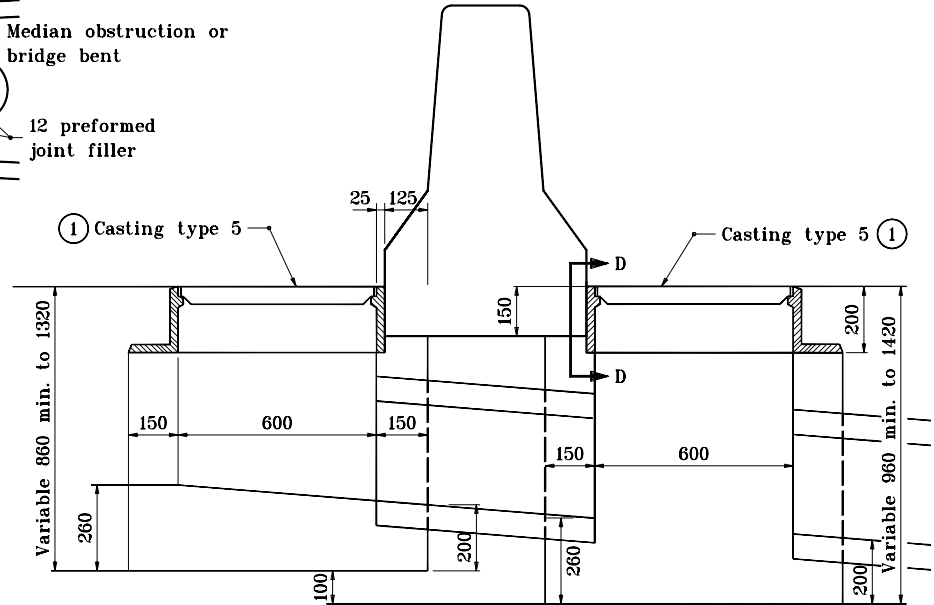
11/16/00

**GENERAL NOTES**

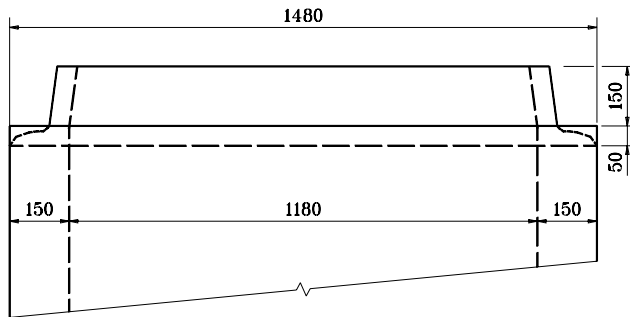
① See Standard Drawings 720-ICCA-01 through -03 for casting type 5 details.



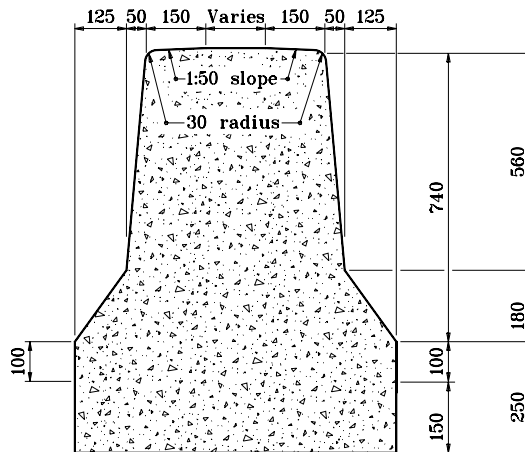
**PLAN VIEW AT  
MEDIAN OBSTRUCTION**



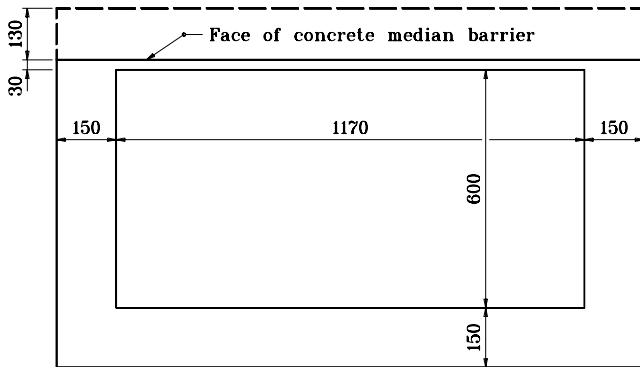
**SECTION C-C**



**SECTION D-D**



**SECTION E-E**



**TOP VIEW**

All dimensions are in mm unless otherwise specified.

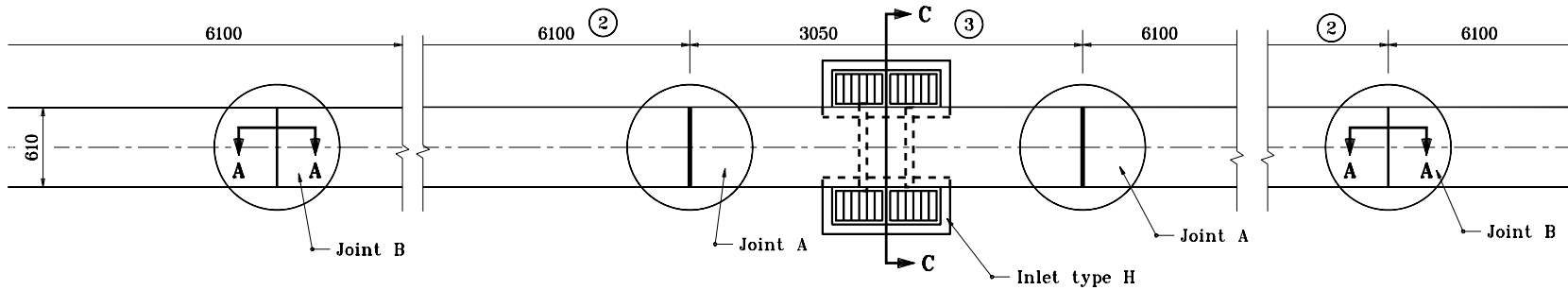
INDIANA DEPARTMENT OF TRANSPORTATION

**CONCRETE MEDIAN BARRIER**

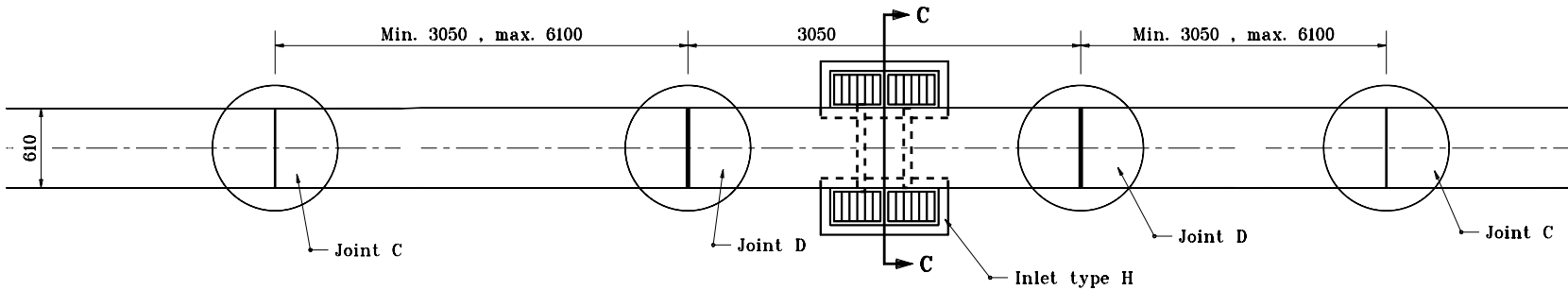
11/16/00

**GENERAL NOTES**

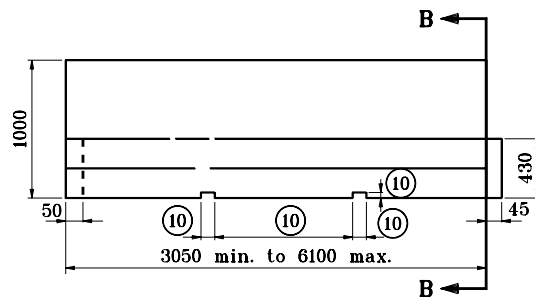
1. See Standard Drawing 602-CCMB-04 for Section C-C.
2. See Standard Drawing 602-CCMB-01 for joint details and Sections A-A and B-B.
3. See Standard Drawing 602-CCMB-06 for additional general notes.



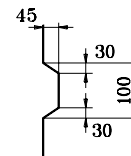
**PLAN VIEW FOR FORMED  
IN PLACE OR SLIP FORMED**



**PLAN VIEW FOR PRECAST**



**SIDE VIEW**



**KEYWAY DETAIL**

**PRECAST SECTION**

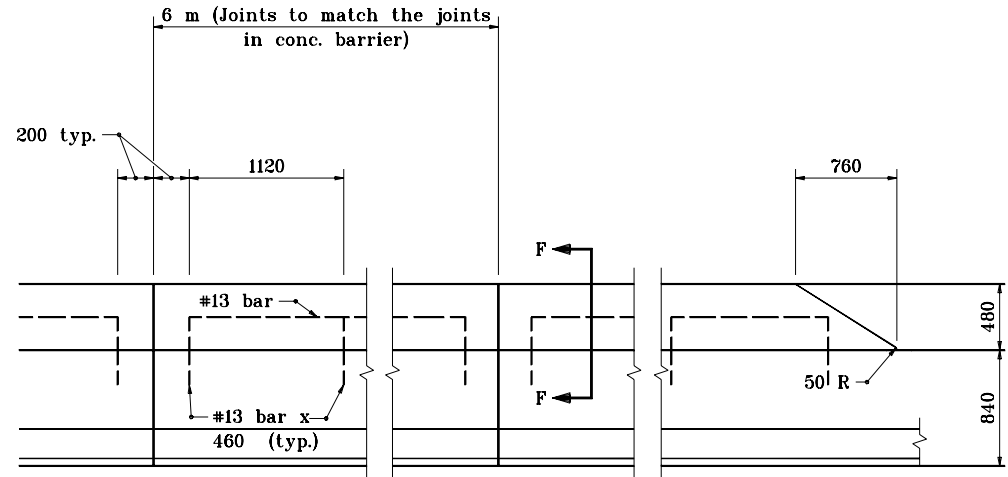
All dimensions are in mm unless otherwise specified.  
INDIANA DEPARTMENT OF TRANSPORTATION

**CONCRETE MEDIAN BARRIER**

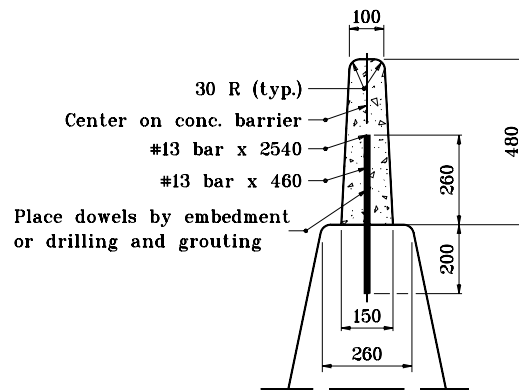
11/16/00

### GENERAL NOTES

1. Cast-in-place or slip-formed concrete median barrier shall have a joint type A at each end of each section containing an inlet type H-5 and 3000 from each end of a median bridge pier or bent. Precast concrete median barrier shall have a joint type D at each end of section containing an inlet type H-5. Joints type B and C shall be located and spaced as shown.
- ② If concrete pavement or concrete shoulder abuts the concrete median barrier, a 6 preformed joint filler shall be placed between the barrier and the pavement.
- ③ The maximum spacing between type A joints shall be 120 m.
4. Each inlet type H-5 shall include two inlet boxes, the connector pipe between the inlet boxes, and two castings type 5.
5. All median obstructions shall be constructed as shown.
6. At a median bridge pier, the faces of the concrete median barrier shall be transitioned at a 20:1 taper to match the configuration of the pier stem. At a median bridge bent, the faces of the concrete median barrier shall be transitioned at a 20:1 taper to match the configuration of the crash wall. If the height of the crash wall is less than the height of the concrete median barrier, the height of the crash wall shall be increased, as detailed elsewhere on the plans, to match the height of the concrete median barrier.
7. When specified as an end treatment for concrete median barrier, the G.R.E.A.T. unit shall be designated by the number of bays based on design speed as shown in Table 1 on Standard Drawing 602-CCMB-03.
8. If median highway illumination is specified, in conjunction with concrete median barrier, installation shall be as detailed elsewhere in the plans.
- ⑨ Precast concrete median barrier shall have threaded inserts cast into each section, a minimum of 6 below the surface, and embedded to a depth sufficient to develop adequate strength to allow the safe lifting of the section. Lifting slots will be permitted in addition to the inserts. The dimensions and locations of these slots may be adjusted to accommodate variations in handling equipment.



**ELEVATION**



**SECTION F-F**

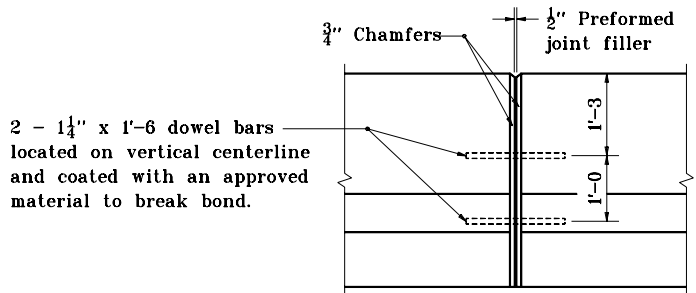
**CONCRETE GLARE SCREEN**

All dimensions are in mm unless otherwise specified.

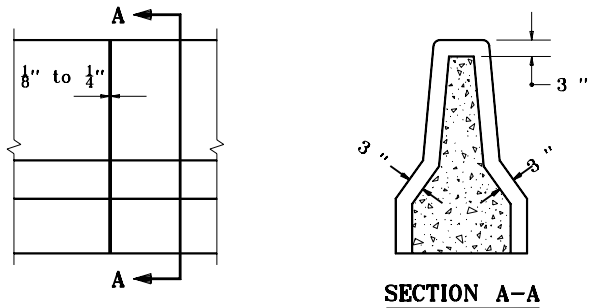
INDIANA DEPARTMENT OF TRANSPORTATION

**CONCRETE MEDIAN BARRIER**

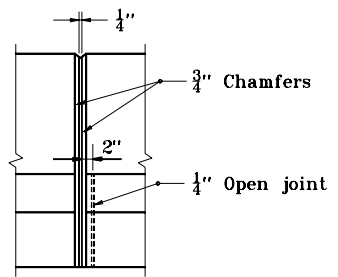
11/16/00



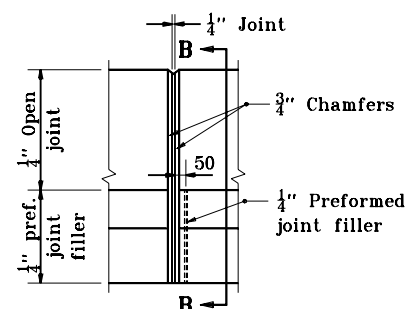
**JOINT A**



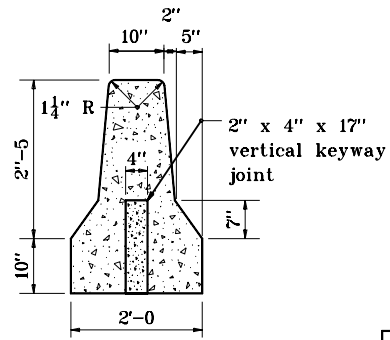
**JOINT B**



**JOINT C**



**JOINT D**



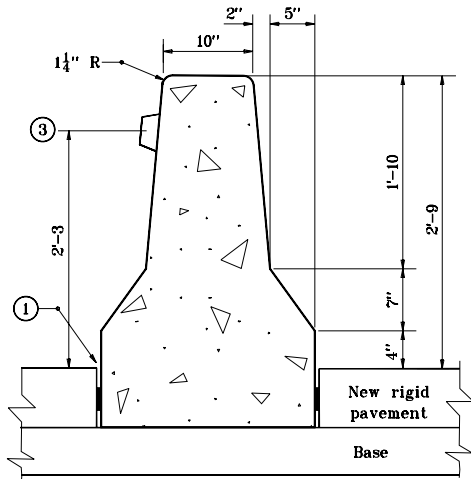
**SECTION B-B**

INDIANA DEPARTMENT OF TRANSPORTATION

**CONCRETE MEDIAN BARRIER**

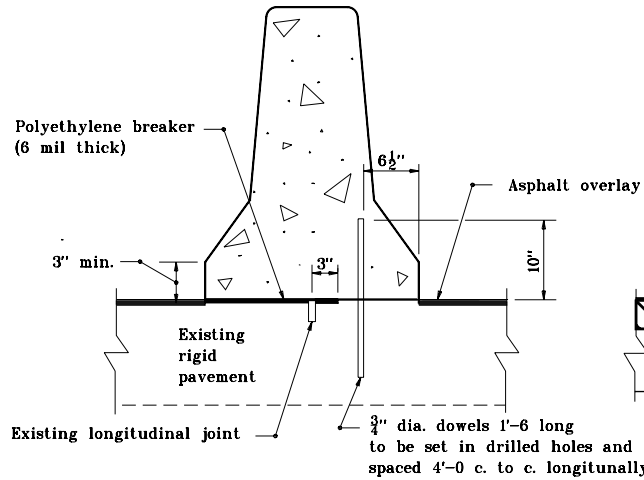
11/16/00

**TYPE 260A**



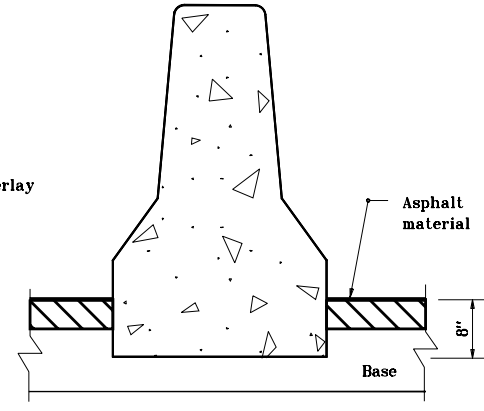
**NEW RIGID PAVEMENT**

**TYPE 260B**



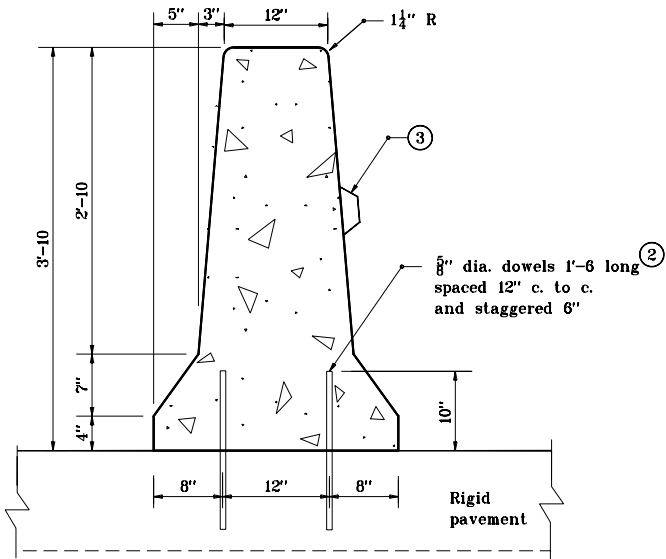
**NEW BITUMINOUS OVERLAY OVER  
EXISTING RIGID PAVEMENT**

**TYPE 260C**



**NEW FLEXIBLE PAVEMENT**

**TYPE 300A**



**BRIDGE APPROACH BARRIER  
WITH RIGID PAVEMENT**

**NOTES:**

- ① If concrete pavement or concrete shoulder abuts the concrete median barrier, a 1/4" preformed joint filler shall be placed between the barrier and the pavement.
- ② Dowels shall be either drilled and grouted or driven on existing rigid pavement.
- ③ Reflectors on concrete median barrier shall be spaced at a minimum of 40 ft and shall be centered 2'-3' above the surface of adjacent pavement or shoulder on both sides if traffic is on both sides.

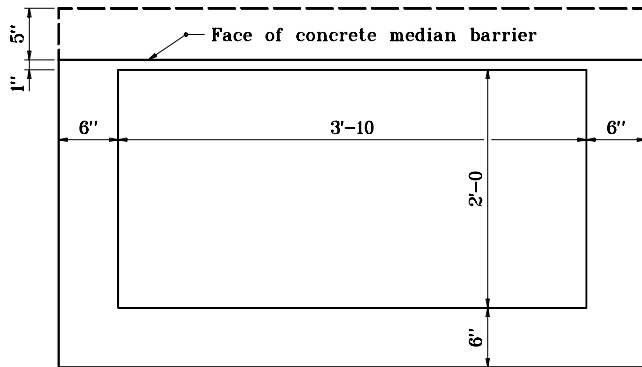
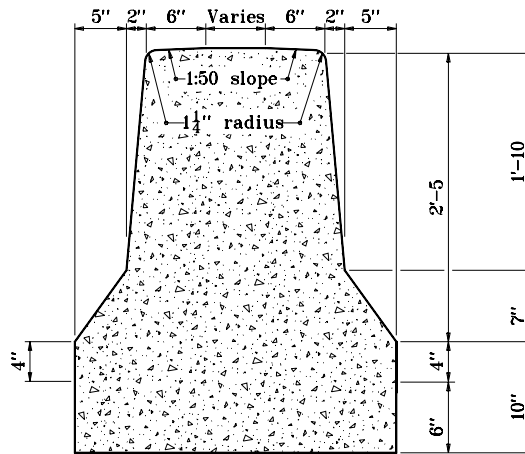
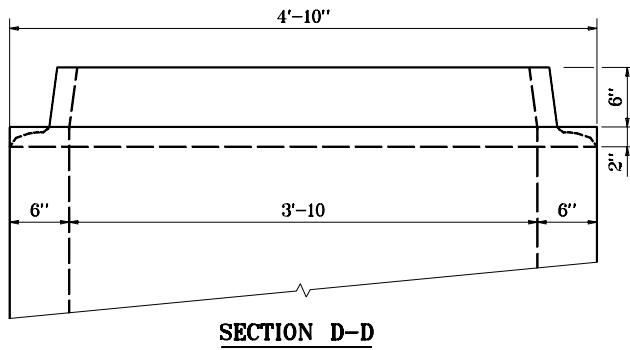
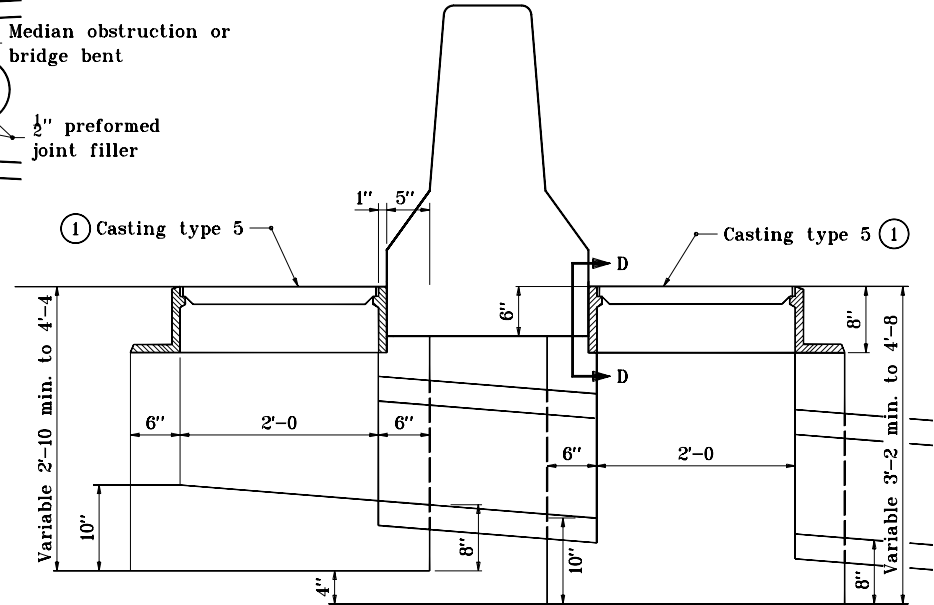
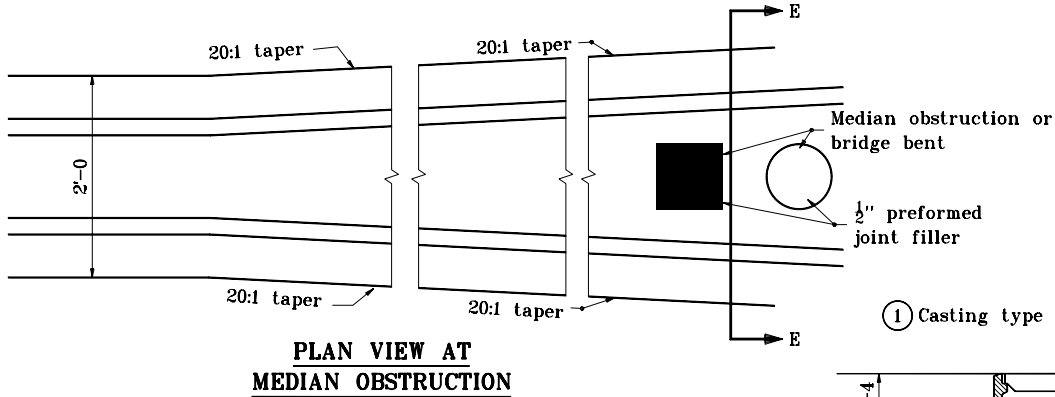
INDIANA DEPARTMENT OF TRANSPORTATION

**CONCRETE MEDIAN BARRIER**

11/16/00

**GENERAL NOTES**

① See Standard Drawings E 720-ICCA-01 through -03 for casting type 5 details.



INDIANA DEPARTMENT OF TRANSPORTATION

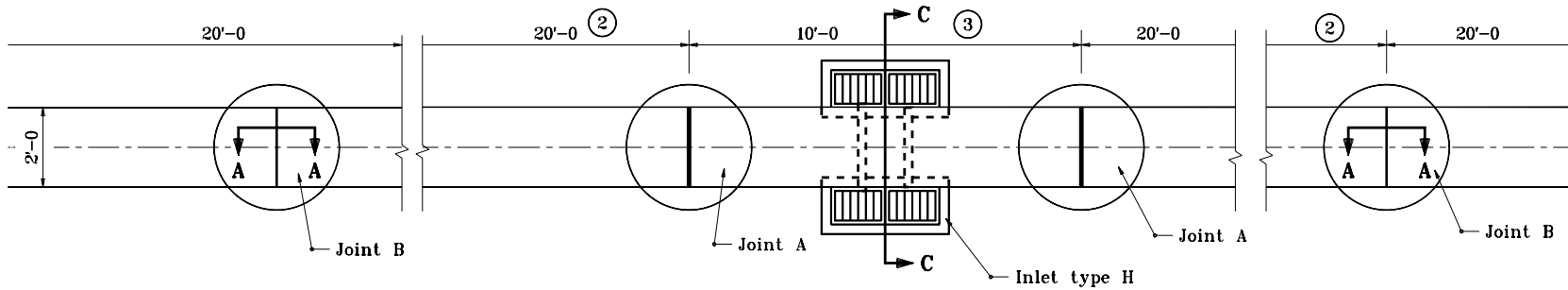
**CONCRETE MEDIAN BARRIER**

11/16/00

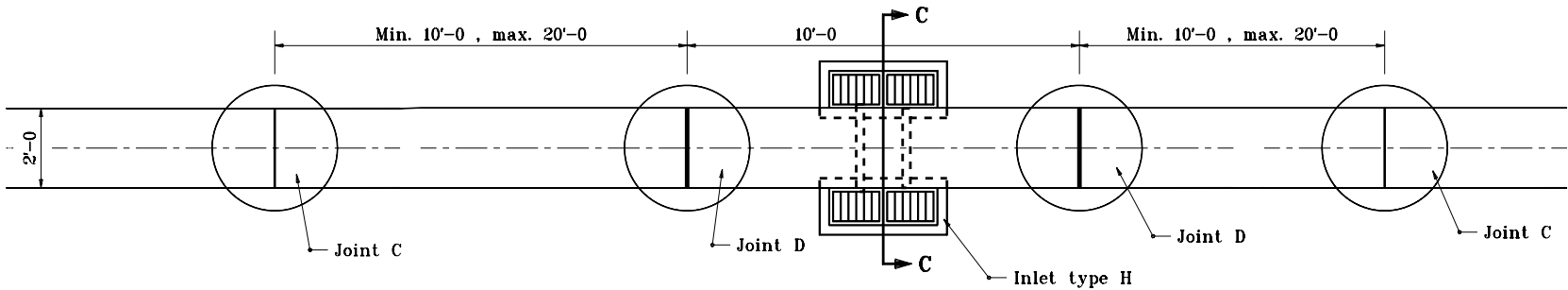


**GENERAL NOTES**

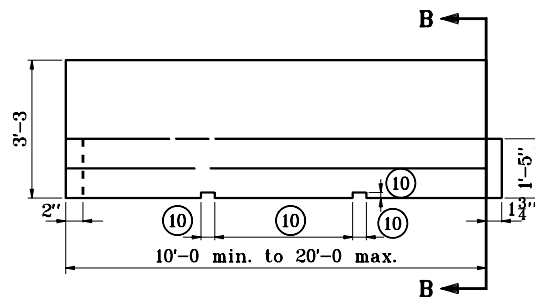
1. See Standard Drawing E 602-CCMB-04 for Section C-C.
2. See Standard Drawing E 602-CCMB-01 for joint details and Sections A-A and B-B.
3. See Standard Drawing E 602-CCMB-06 for General Notes.



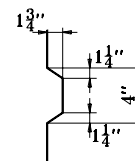
**PLAN VIEW FOR FORMED  
IN PLACE OR SLIP FORMED**



**PLAN VIEW FOR PRECAST**



**SIDE VIEW**



**KEYWAY DETAIL**

**PRECAST SECTION**

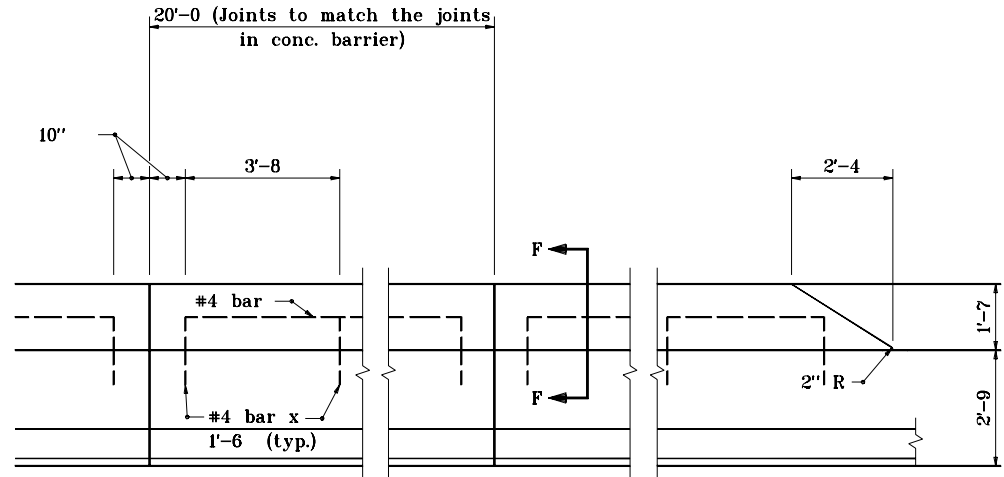
INDIANA DEPARTMENT OF TRANSPORTATION

**CONCRETE MEDIAN BARRIER**

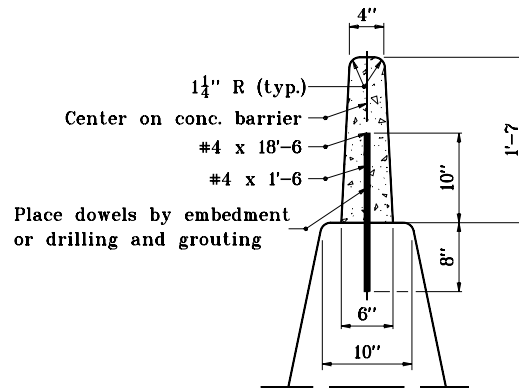
11/16/00

### GENERAL NOTES

1. Cast-in-place or slip-formed concrete median barrier shall have a joint type A at each end of each section containing an inlet type H-5 and 10'-0 from each end of a median bridge pier or bent. Precast concrete median barrier shall have a joint type D at each end of section containing an inlet type H-5. Joints type B and C shall be located and spaced as shown.
- ② If concrete pavement or concrete shoulder abuts the concrete median barrier, a ¼" preformed joint filler shall be placed between the barrier and the pavement.
- ③ The maximum spacing between type A joints shall be 400 ft.
4. Each inlet type H-5 shall include two inlet boxes, the connector pipe between the inlet boxes, and two castings type 5.
5. All median obstructions shall be constructed as shown.
6. At a median bridge pier, the faces of the concrete median barrier shall be transitioned at a 20:1 taper to match the configuration of the pier stem. At a median bridge bent, the faces of the concrete median barrier shall be transitioned at a 20:1 taper to match the configuration of the crash wall. If the height of the crash wall is less than the height of the concrete median barrier, the height of the crash wall shall be increased, as detailed elsewhere on the plans, to match the height of the concrete median barrier.
7. If an impact attenuator type R2 is specified at the end of concrete median barrier, the unit shall be designated by the number of bays based on design speed as shown in Table 1 on Standard Drawing E 602-CCMB-03.
8. If median highway illumination is specified, in conjunction with concrete median barrier, installation shall be as detailed elsewhere in the plans.
- ⑨ Precast concrete median barrier shall have threaded inserts cast into each section, a minimum of ¼" below the surface, and embedded to a depth sufficient to develop adequate strength to allow the safe lifting of the section. Lifting slots will be permitted in addition to the inserts. The dimensions and locations of these slots may be adjusted to accommodate variations in handling equipment.



**ELEVATION**



**SECTION F-F**

**CONCRETE GLARE SCREEN**

INDIANA DEPARTMENT OF TRANSPORTATION

**CONCRETE MEDIAN BARRIER**

11/16/00