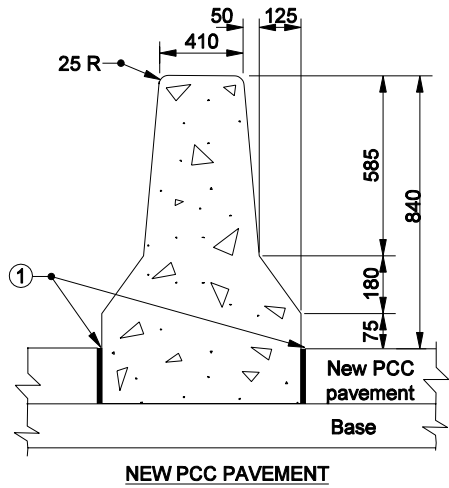
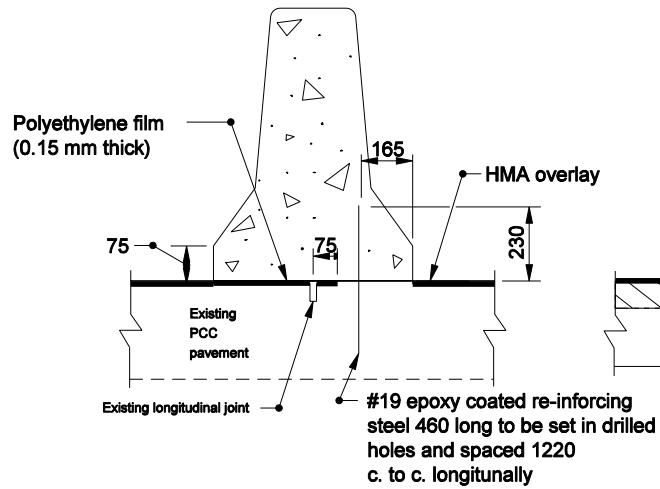


602-R-494d

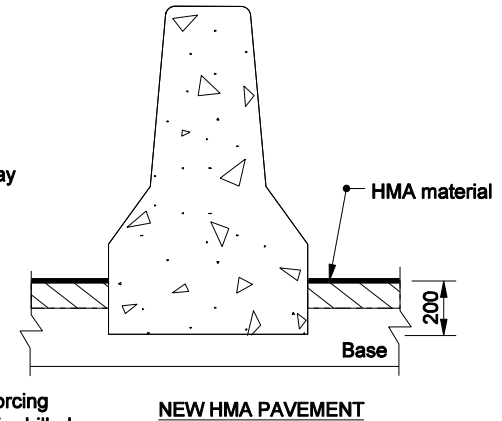


NEW PCC PAVEMENT

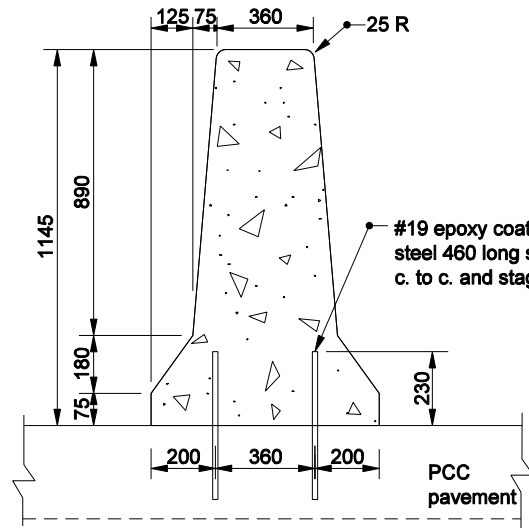


NEW HMA OVERLAY OVER EXISTING PCC PAVEMENT

840 HEIGHT CONCRETE BARRIER WALL



NEW HMA PAVEMENT



CONCRETE BARRIER WITH PCC PAVEMENT

1145 HEIGHT CONCRETE BARRIER WALL

NOTES:

- ① 13 Preformed Joint Filler.

All dimensions are in mm unless otherwise specified

INDIANA DEPARTMENT OF TRANSPORTATION

CONCRETE BARRIER DETAILS

4-21-05