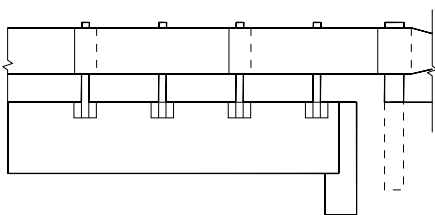
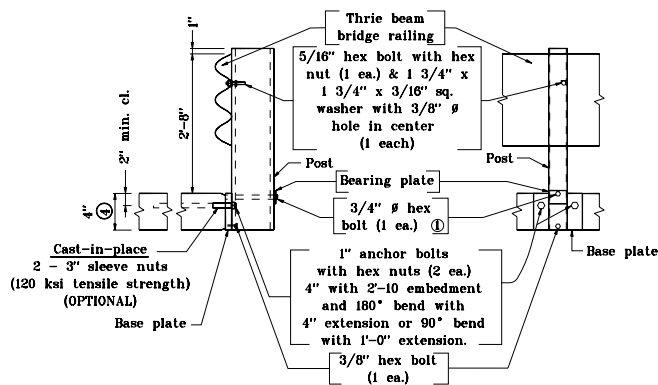


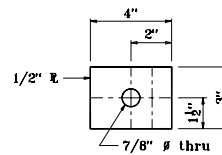
PLAN VIEW



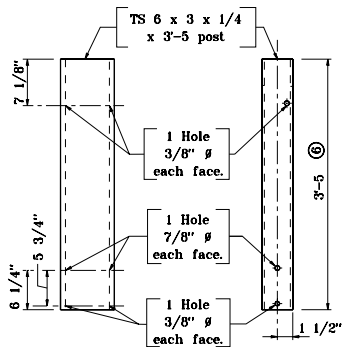
ELEVATION



THRIE-BEAM BRIDGE RAILING ASSEMBLY DETAILS

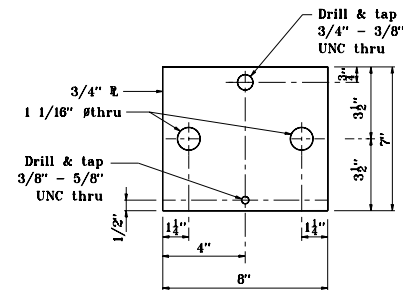


BEARING PLATE



SECTION REAR VIEW

BRIDGE STEEL POST DETAIL



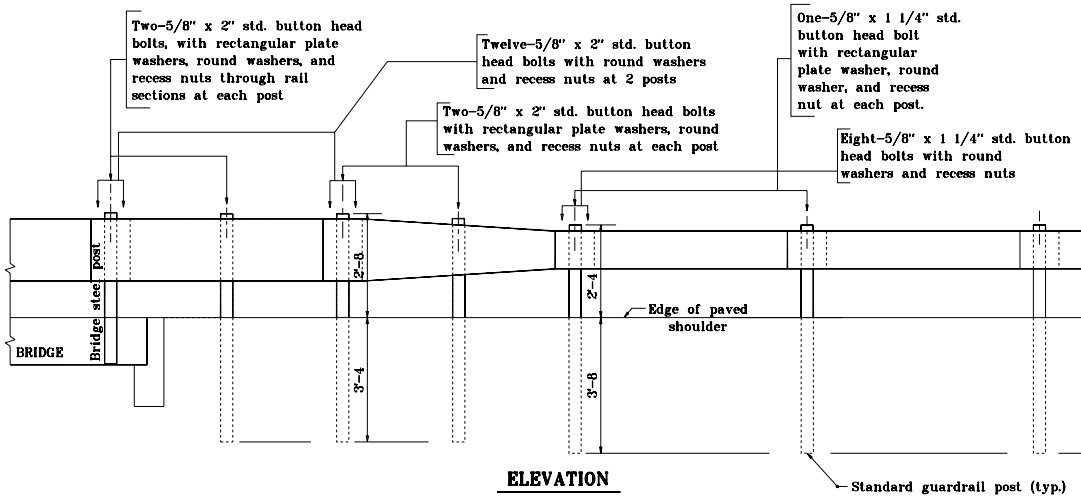
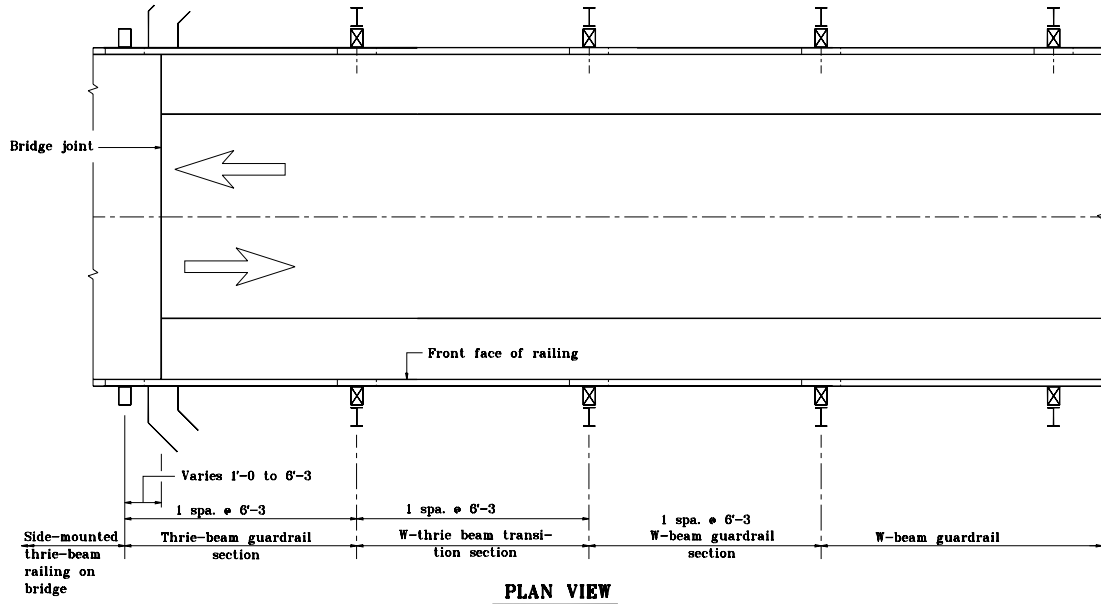
BASE PLATE

- NOTES:**
- Optional 3/4" ϕ x 8 1/2" long rod, threaded 3/8" min. on each end, with a heavy hex nut securing the post.
 - See Standard Drawings E 601-TBGC-01 and -02 for thrie beam rail section.
 - Post length may vary. If the 1" ϕ anchor bolts in the deck must be lowered to accommodate the deck reinforcing steel, the steel base plate shall be lowered and the post length increased.

RAILING, TS-1 (English)

NOTES:

1. See Recurring Plan Detail 706-B-140d sheet 1 for bridge Steel Post Detail.
2. See Standard Drawings E 601-TBGC-01 and E 601-TBGC-02 for thrie-beam guardrail components.
3. See Standard Drawings E 601-WBGC-01, E 601-WBGC-02 and E 601-WBGC-03 for W-beam guardrail components.

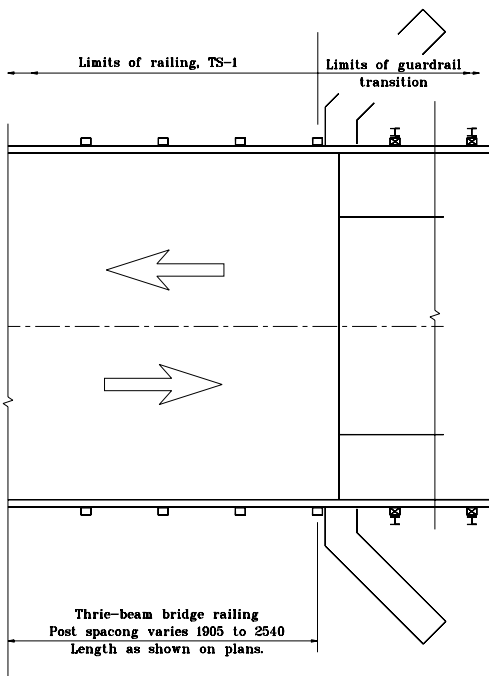


GUARDRAIL TRANSITION, TGS-1
(English)

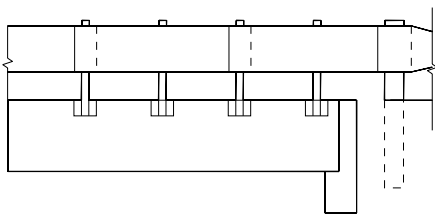
R 12-7-00

706-B-140D

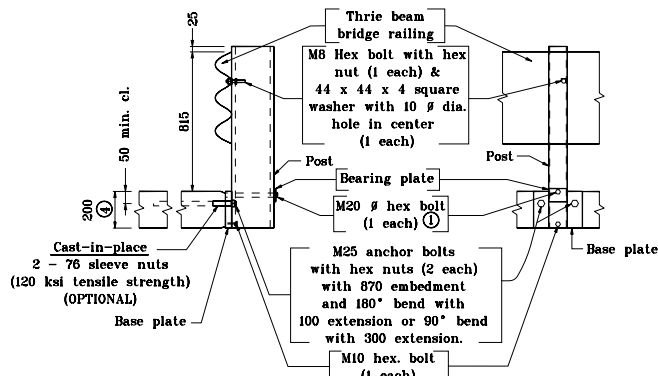
2 of 2



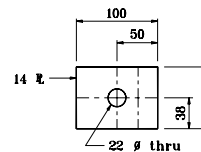
PLAN VIEW



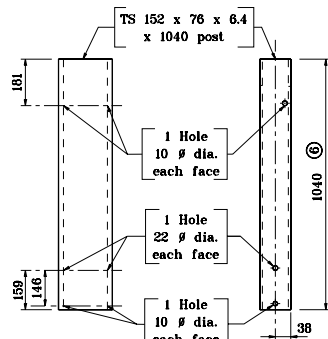
ELEVATION



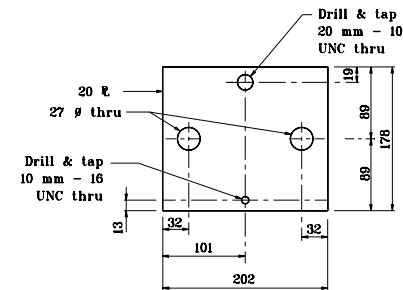
**THRIE-BEAM BRIDGE RAILING
ASSEMBLY DETAILS**



BEARING PLATE



**SECTION REAR VIEW
BRIDGE STEEL POST DETAIL**



BASE PLATE

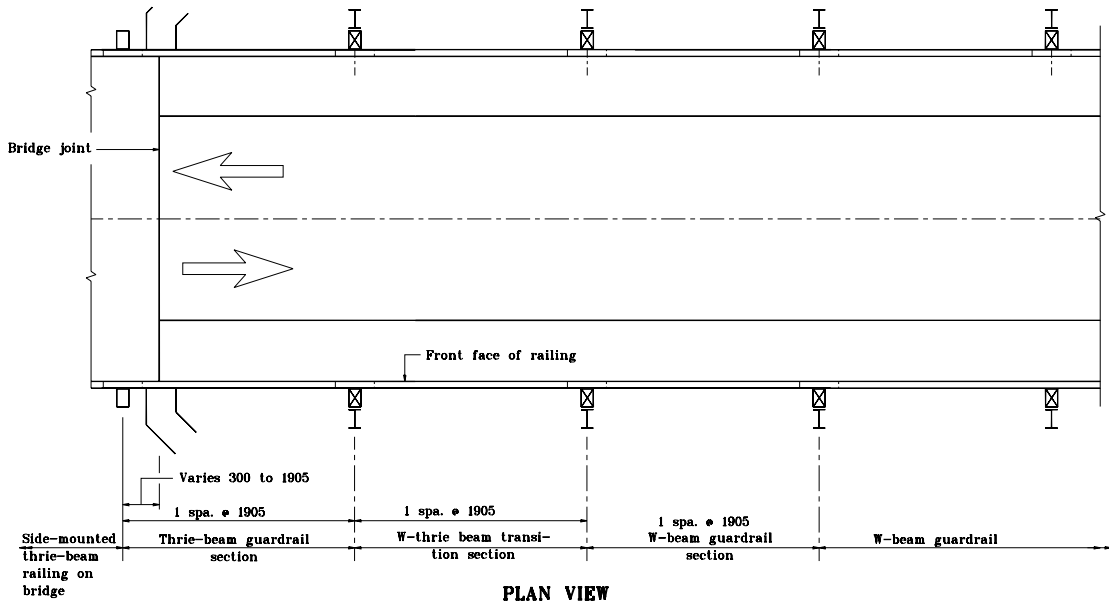
- NOTES:**
- Optional 20 ϕ x 215 long rod, threaded 40 min. on each end, with a heavy hex nut securing the post.
 - See Standard Drawings 601-TBGC-01 and -02 for thrie beam rail section.
 - Post length may vary. If the 25 ϕ anchor bolts in the deck must be lowered to accommodate the deck reinforcing steel, the steel base plate shall be lowered and the post length increased.

All dimensions are in mm unless otherwise specified.

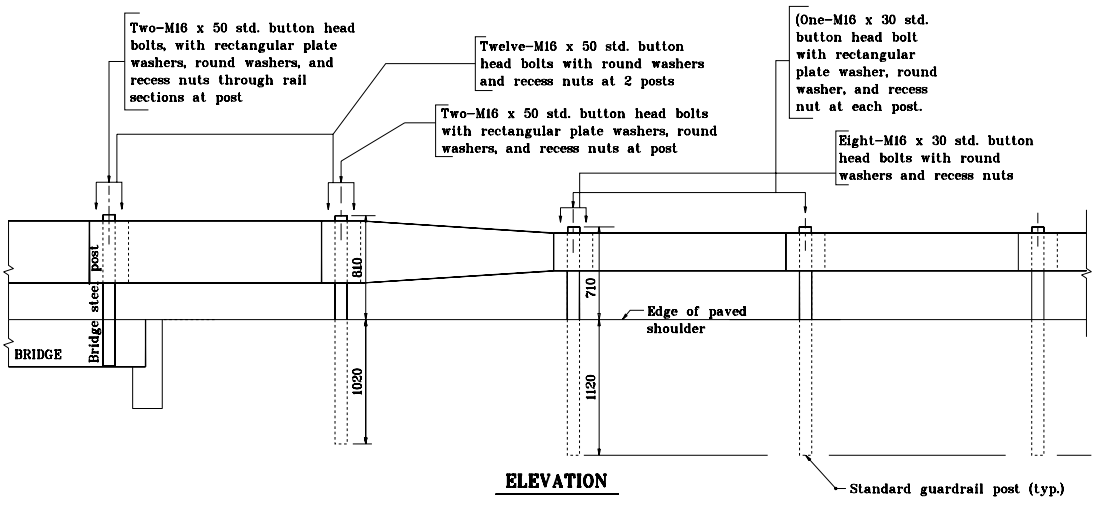
**RAILING, TS-1
(Metric)**

706-B-140D
1 of 2

R 12-7-00



PLAN VIEW



ELEVATION

- NOTES:**
1. See Recurring Plan Detail 706-8-140d sheet 1 for bridge Steel Post Detail.
 2. See Standard Drawings 601-TBGC-01 and 601-TBGC-02 for thrie-beam guardrail components.
 3. See Standard Drawings 601-WBGC-01, 601-WBGC-02 and 601-WBGC-03 for W-beam guardrail components.

706-B-140D
2 of 2

R 12-7-00

All dimensions are in mm unless otherwise specified.

GUARDRAIL TRANSITION, TGS-1
(Metric)