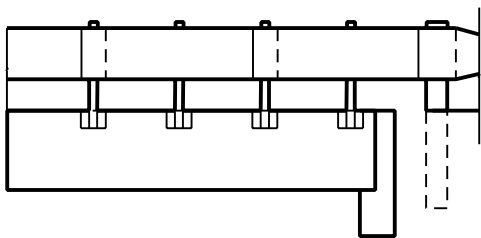


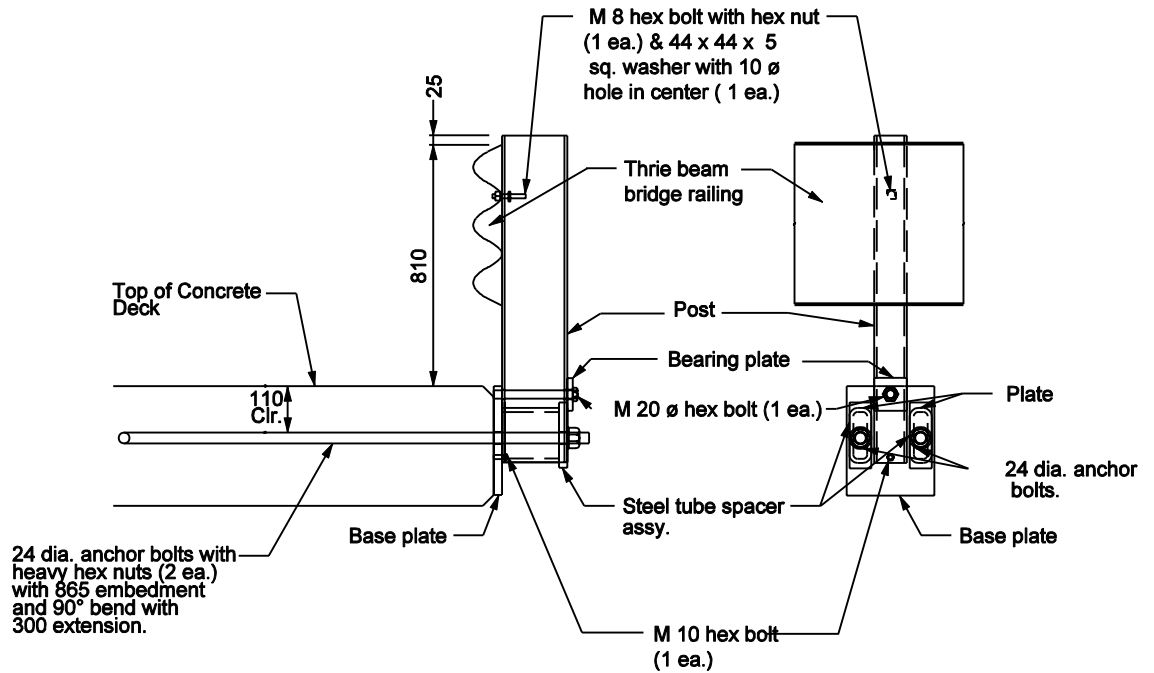
PLAN VIEW



ELEVATION VIEW

NOTES:

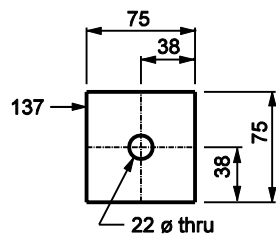
- 1 See Standard Drawings 6001B00001 and -02 for thrie beam rail section.



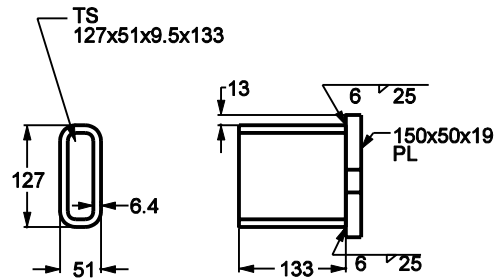
**THRIE-BEAM BRIDGE RAILING
ASSEMBLY DETAILS**

INDIANA DEPARTMENT OF TRANSPORTATION

**RAILING, TS-1
R 7-01-01**



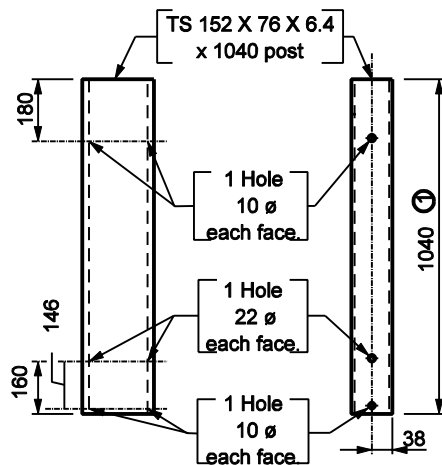
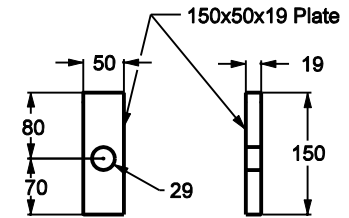
BEARING PLATE



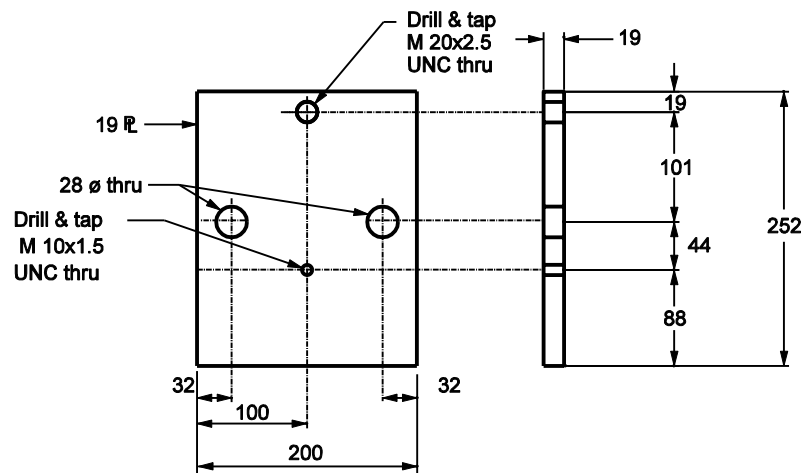
STEEL TUBE SPACER ASSEMBLY

NOTES:

- ① Post length may vary. If the 24 ø anchor bolts in the deck must be lowered to accommodate the deck reinforcing steel, the steel base plate shall be lowered and the post length increased.
- 2 The structural tube in the steel tube spacer assembly shall be A 500 grade B structural tube.



SECTION REAR VIEW
BRIDGE STEEL POST DETAIL



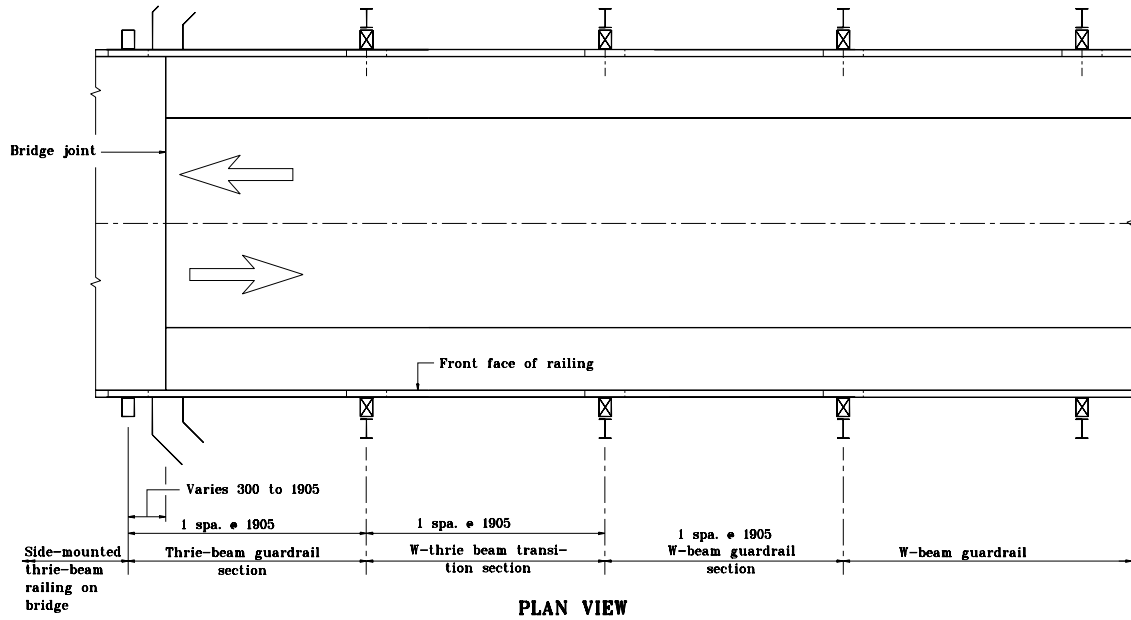
BASE PLATE

INDIANA DEPARTMENT OF TRANSPORTATION

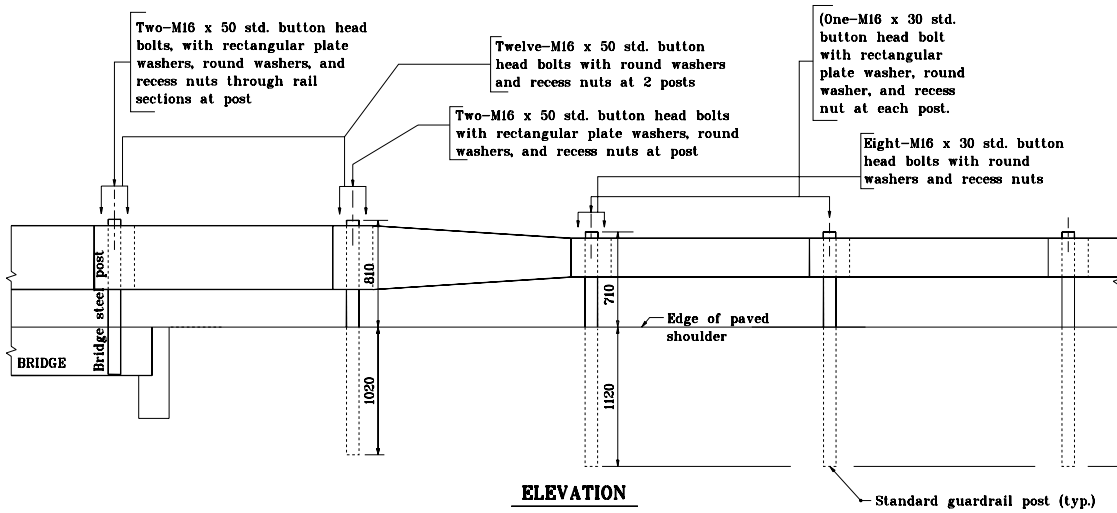
RAILING, TS-1
R 7-01-01

NOTES:

1. See Recurring Plan Detail 706-8-140d sheet 1 for bridge Steel Post Detail.
2. See Standard Drawings 601-TBGC-01 and 601-TBGC-02 for thrie-beam guardrail components.
3. See Standard Drawings 601-WBGC-01, 601-WBGC-02 and 601-WBGC-03 for W-beam guardrail components.



PLAN VIEW



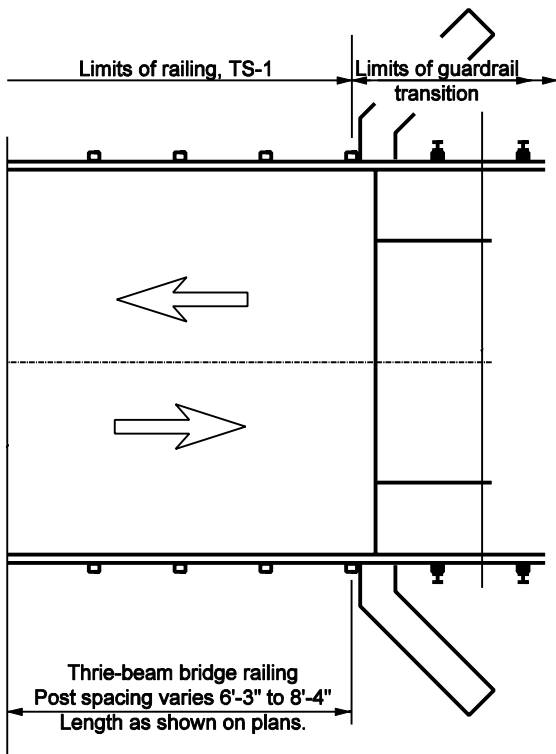
ELEVATION

All dimensions are in mm unless otherwise specified.
GUARDRAIL TRANSITION, TGS-1
(Metric)

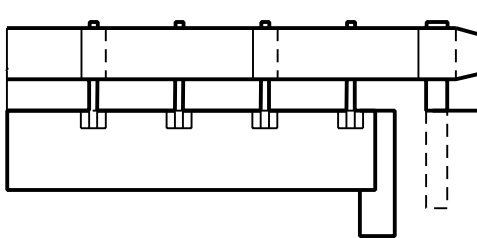
R-7-01-01

706-B-140D

3 of 3



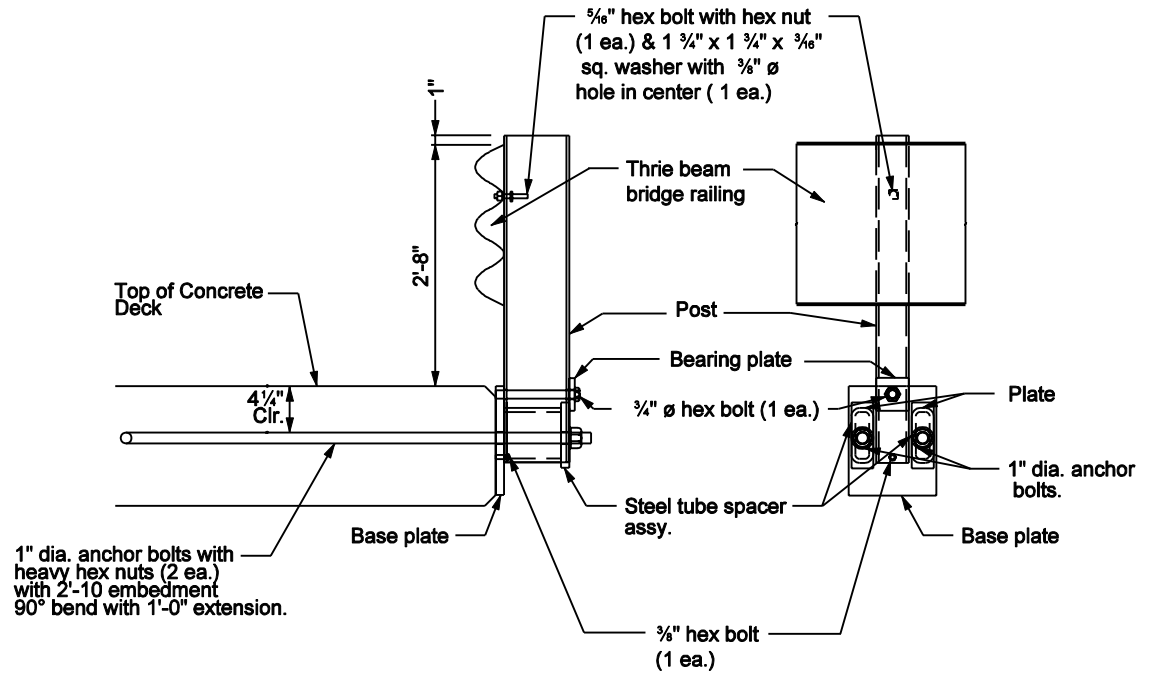
PLAN VIEW



ELEVATION VIEW

NOTES:

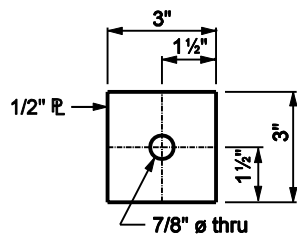
- 1 See Standard Drawings E 601-TBGC-01 and -02 for thrie beam rail section.



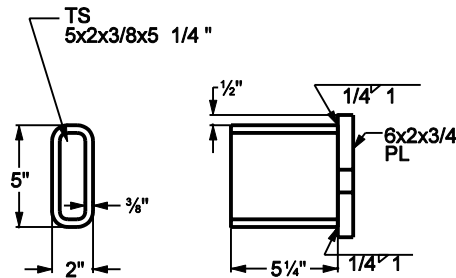
**THRIE-BEAM BRIDGE RAILING
ASSEMBLY DETAILS**

INDIANA DEPARTMENT OF TRANSPORTATION

**RAILING, TS-1
R 7-01-01**



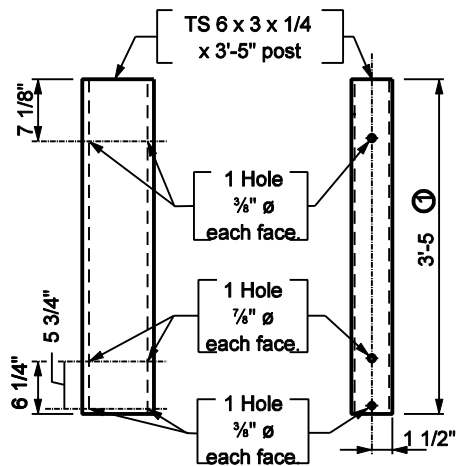
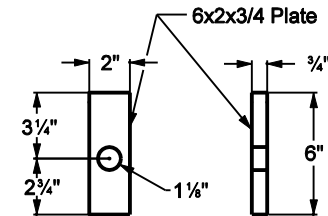
BEARING PLATE



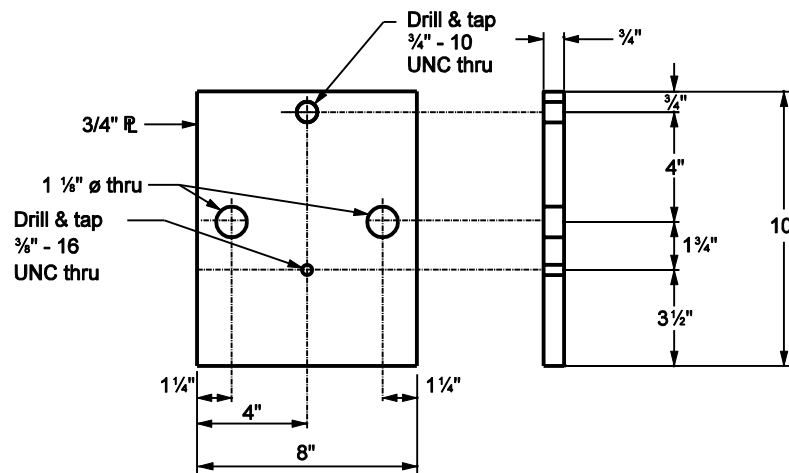
STEEL TUBE SPACER ASSEMBLY

NOTES:

- 1 Post length may vary. If the 1" ϕ anchor bolts in the deck must be lowered to accommodate the deck reinforcing steel, the steel base plate shall be lowered and the post length increased.
- 2 The structural tube in the steel tube spacer assembly shall be A 500 grade B structural tube.



SECTION REAR VIEW
BRIDGE STEEL POST DETAIL



BASE PLATE

INDIANA DEPARTMENT OF TRANSPORTATION

RAILING, TS-1
R 7-01-01

NOTES:

1. See Recurring Plan Detail 706-8-140d sheet 1 for bridge Steel Post Detail.
2. See Standard Drawings E 601-TBGC-01 and E 601-TBGC-02 for thrie-beam guardrail components.
3. See Standard Drawings E 601-WBGC-01, E 601-WBGC-02 and E 601-WBGC-03 for W-beam guardrail components.

