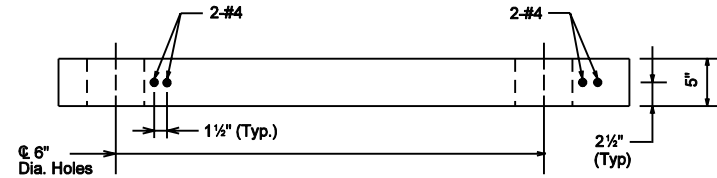
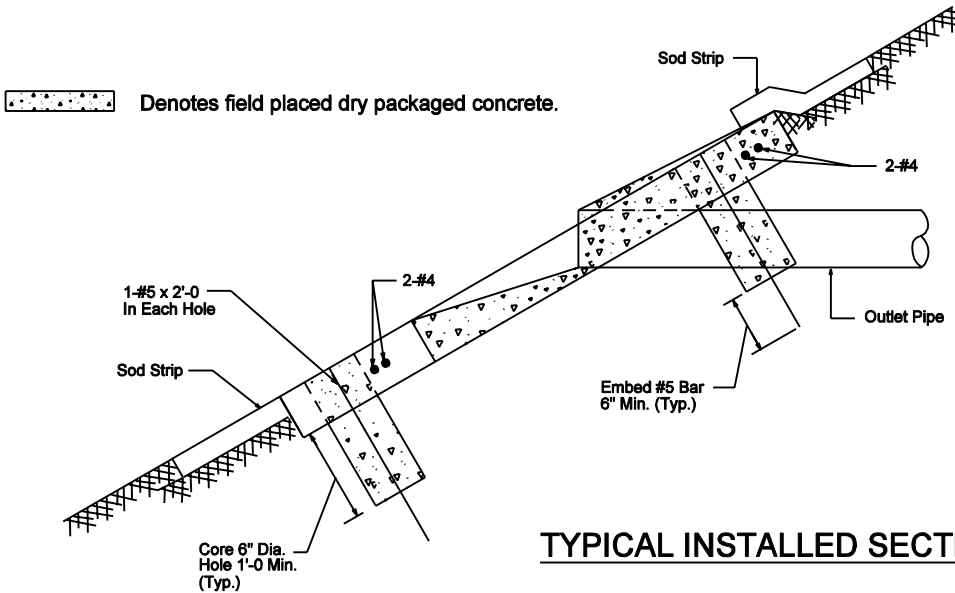


**PLAN VIEW**



**SECTION C-C**



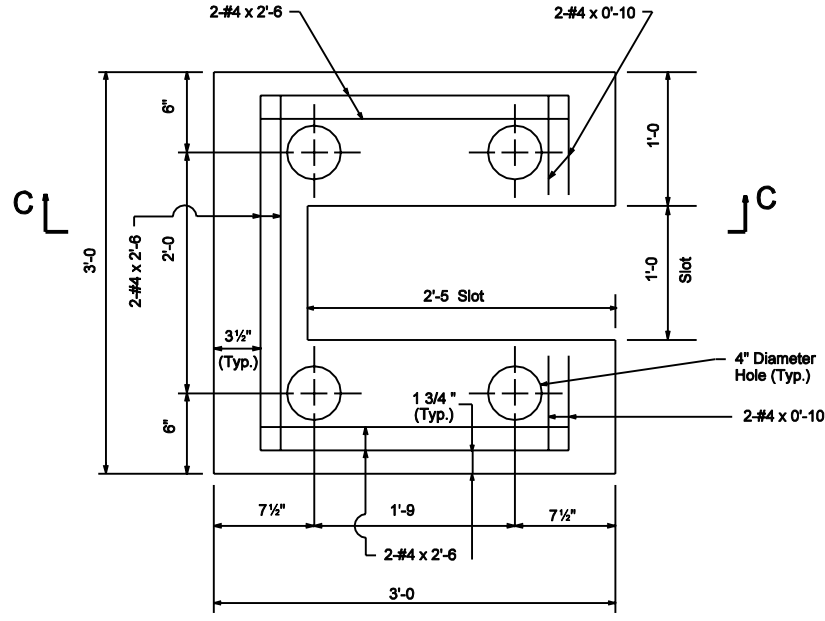
**TYPICAL INSTALLED SECTION C-C**

Denotes field placed dry packaged concrete.

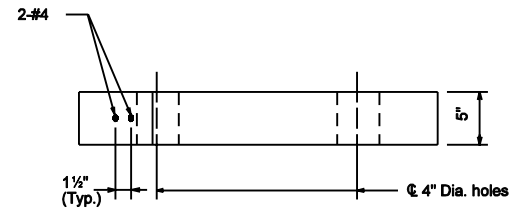
**NOTES**

1. The #4 bars extending through the protector slot may be cut as required to accommodate outlet pipe
2. Adjacent #4 bars shall be spaced at 1 1/2" center to center.

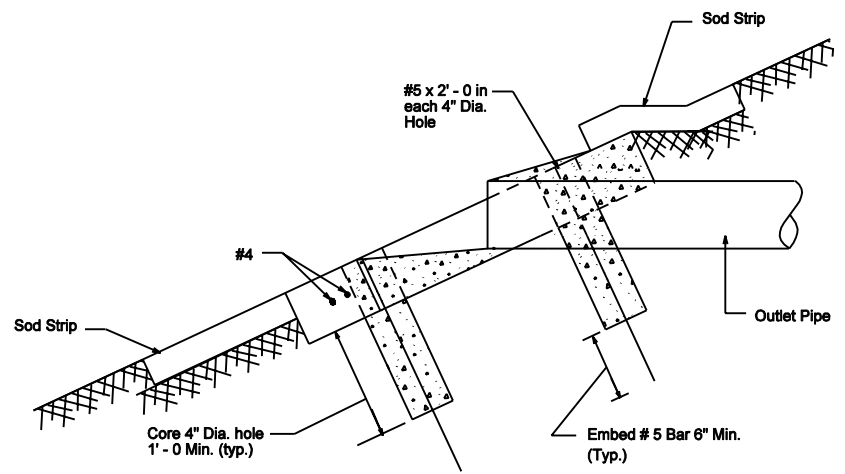
INDIANA DEPARTMENT OF TRANSPORTATION  
**OUTLET PROTECTOR TYPE 2  
 PRECAST ALTERNATE**



**PLAN VIEW**



**SECTION C-C**



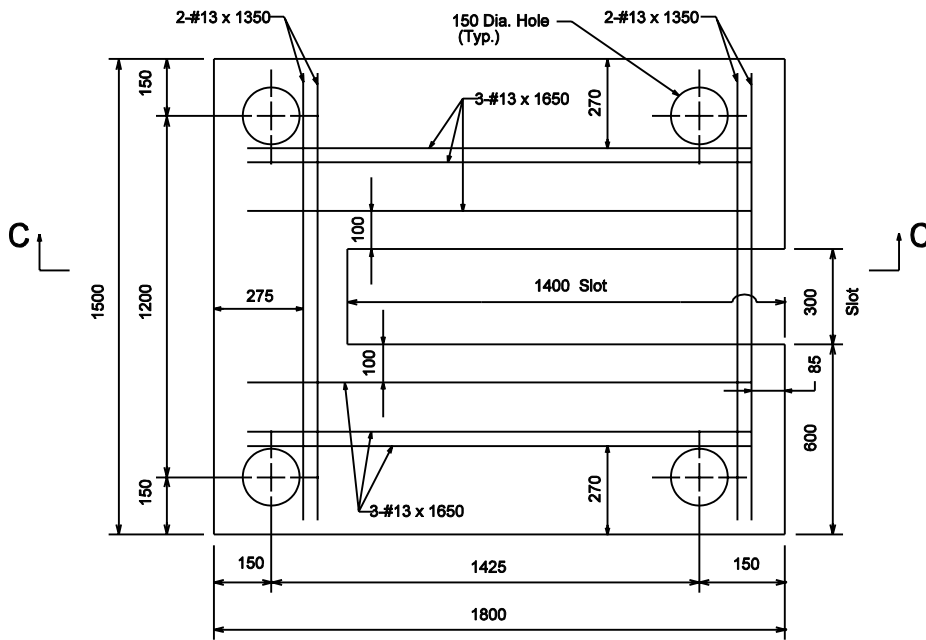
**TYPICAL INSTALLED SECTION C-C**

 Denotes field placed dry packaged concrete.

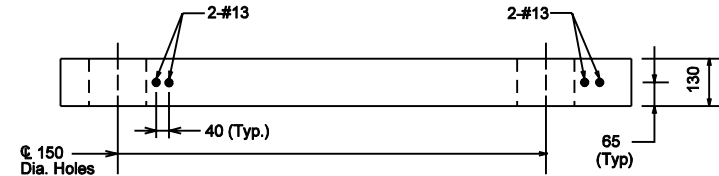
**NOTE**

1. Adjacent #4 bars shall be spaced at 1 1/2" center to center.

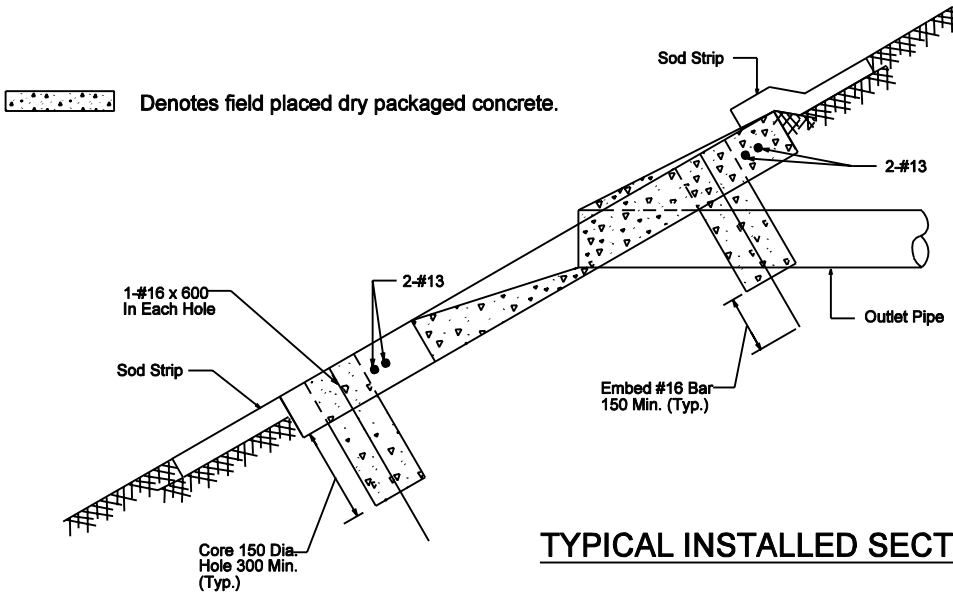
INDIANA DEPARTMENT OF TRANSPORTATION  
**OUTLET PROTECTOR TYPE 3  
 PRECAST ALTERNATE**



**PLAN VIEW**



**SECTION C-C**



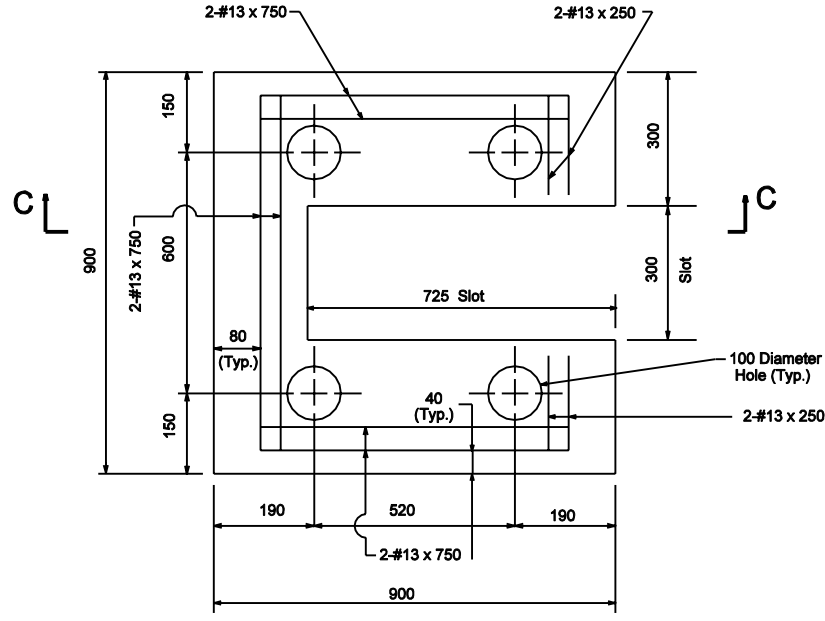
**TYPICAL INSTALLED SECTION C-C**

**NOTES**

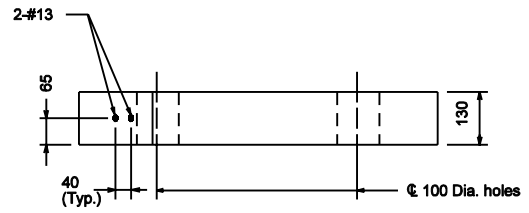
1. The #13 bars extending through the protector slot may be cut as required to accommodate outlet pipe
2. Adjacent #13 bars shall be spaced at 40 center to center.

All Dimension are in mm unless otherwise specified

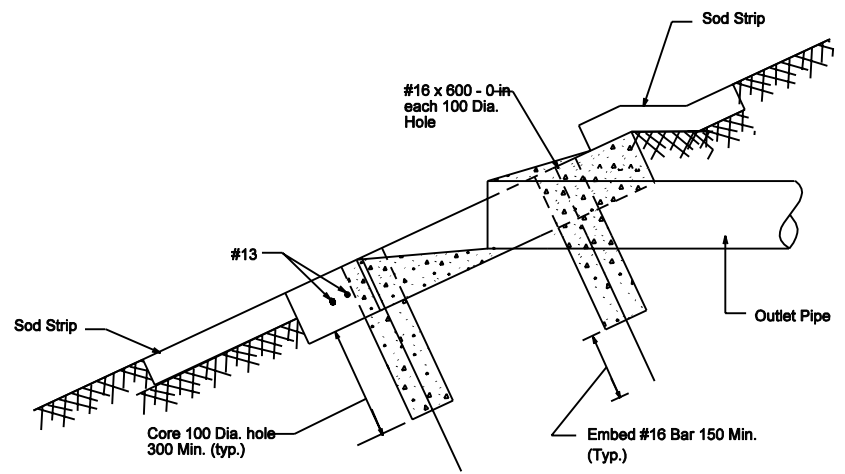
INDIANA DEPARTMENT OF TRANSPORTATION  
**OUTLET PROTECTOR TYPE 2  
 PRECAST ALTERNATE**



**PLAN VIEW**



**SECTION C-C**



**TYPICAL INSTALLED SECTION C-C**



Denotes field placed dry packaged concrete.

**NOTE**

1. Adjacent #13 bars shall be spaced at 40 center to center.

All Dimension are in mm unless otherwise specified

INDIANA DEPARTMENT OF TRANSPORTATION

**OUTLET PROTECTOR TYPE 3  
PRECAST ALTERNATE**