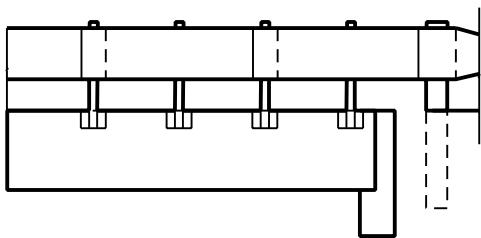
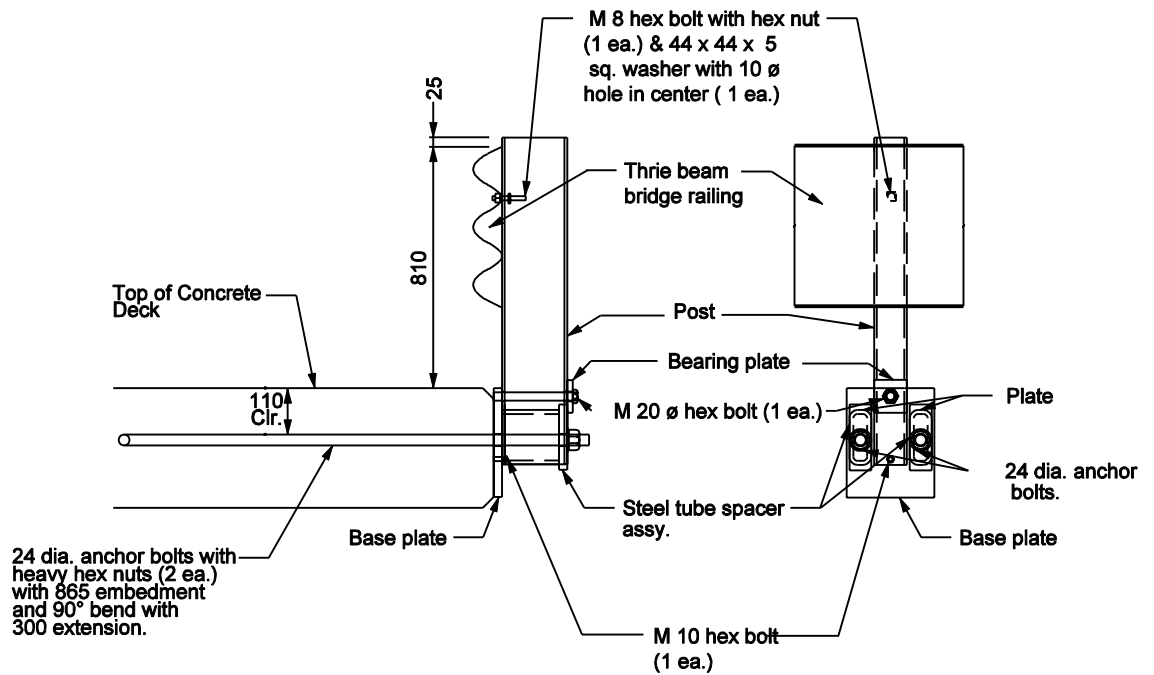


PLAN VIEW



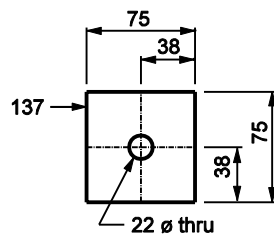
ELEVATION VIEW



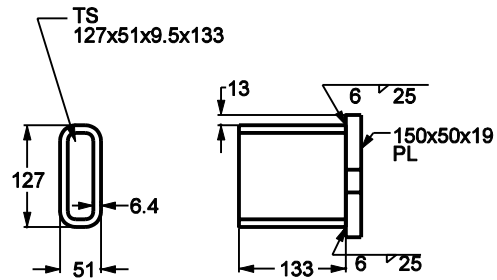
**THRIE-BEAM BRIDGE RAILING
ASSEMBLY DETAILS**

NOTES:

- 1 See Standard Drawings 6001B00001 and -02 for thrie beam rail section.



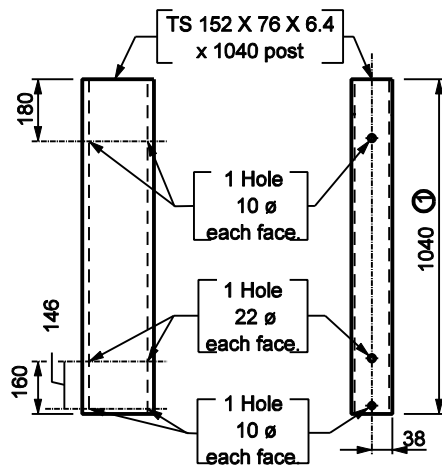
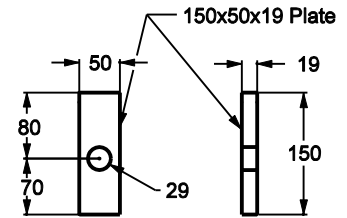
BEARING PLATE



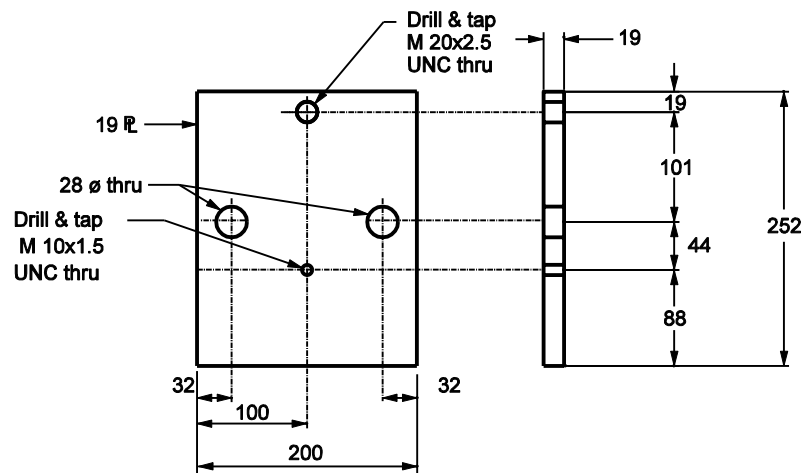
STEEL TUBE SPACER ASSEMBLY

NOTES:

- ① Post length may vary. If the 24 ø anchor bolts in the deck must be lowered to accommodate the deck reinforcing steel, the steel base plate shall be lowered and the post length increased.
- 2 The structural tube in the steel tube spacer assembly shall be A 500 grade B structural tube.



SECTION REAR VIEW
BRIDGE STEEL POST DETAIL



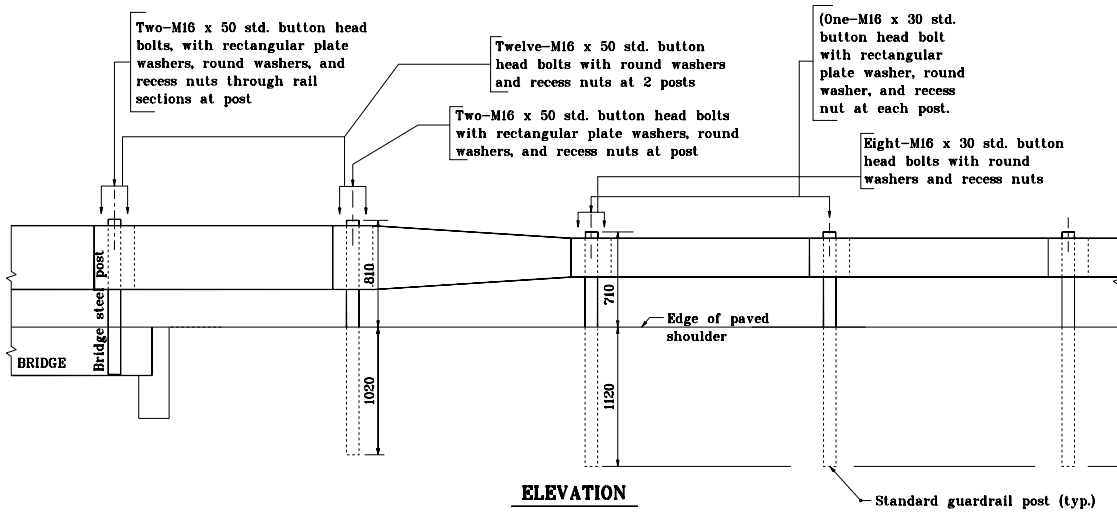
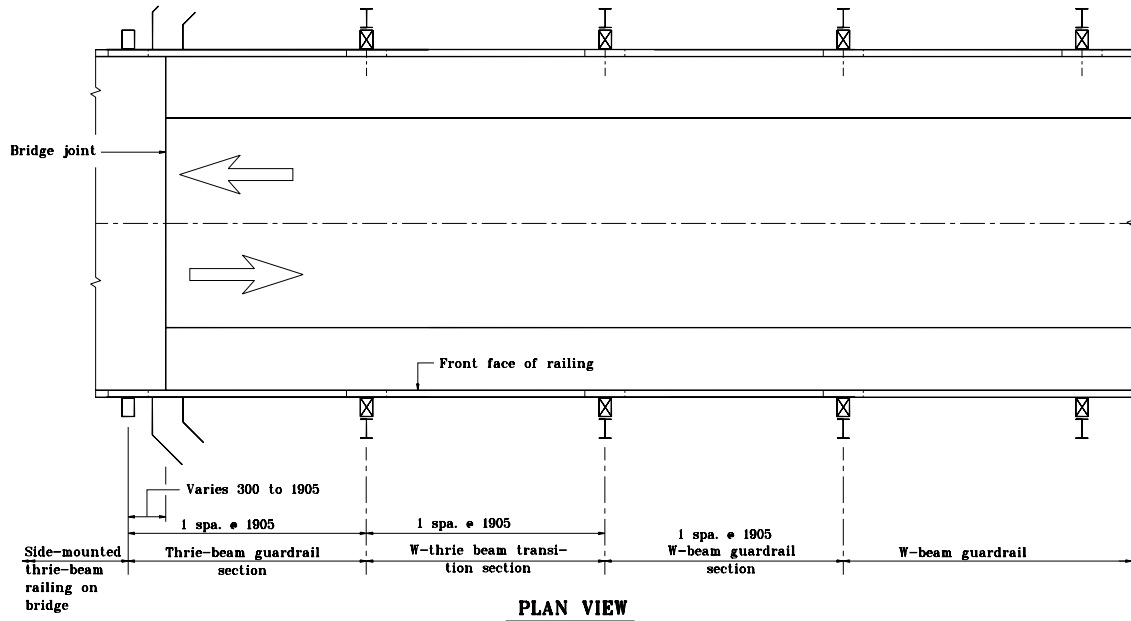
BASE PLATE

INDIANA DEPARTMENT OF TRANSPORTATION

RAILING, TS-1
R 7-01-01

NOTES:

1. See Recurring Plan Detail 706-8-140d sheet 1 for bridge Steel Post Detail.
2. See Standard Drawings 601-TBGC-01 and 601-TBGC-02 for thrie-beam guardrail components.
3. See Standard Drawings 601-WBGC-01, 601-WBGC-02 and 601-WBGC-03 for W-beam guardrail components.



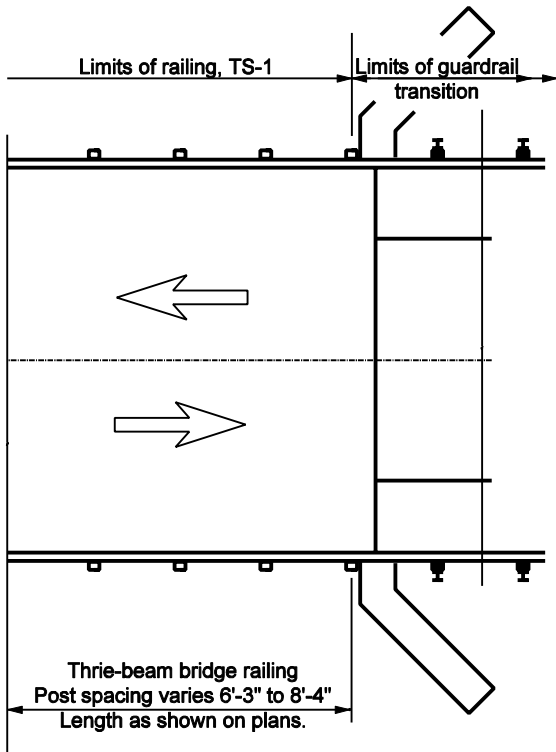
All dimensions are in mm unless otherwise specified.

GUARDRAIL TRANSITION, TGS-1
(Metric)

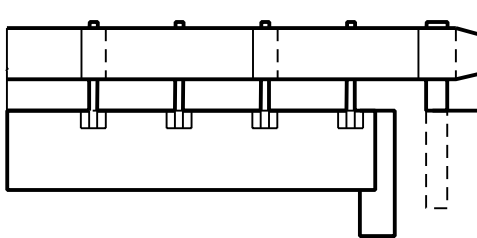
R-7-01-01

706-B-140D

3 of 3



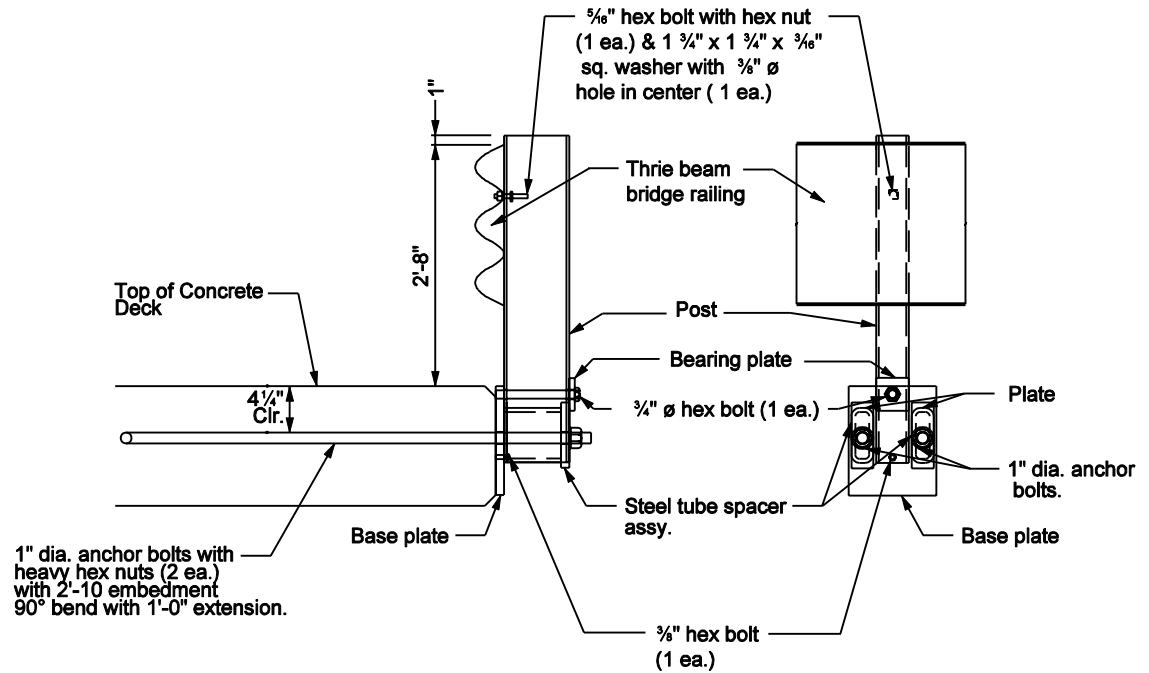
PLAN VIEW



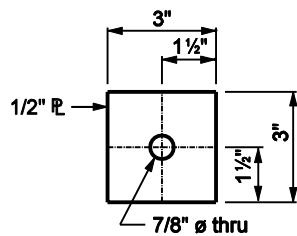
ELEVATION VIEW

NOTES:

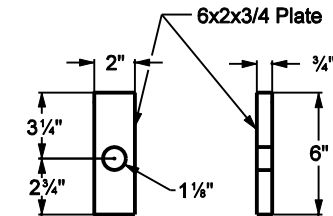
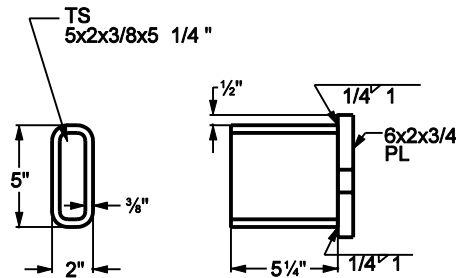
- 1 See Standard Drawings E 601-TBGC-01 and -02 for thrie beam rail section.



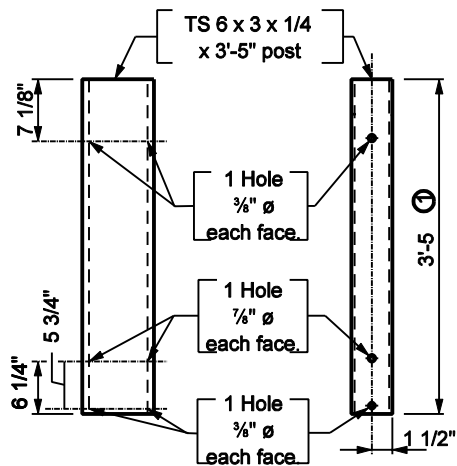
**THRIE-BEAM BRIDGE RAILING
ASSEMBLY DETAILS**



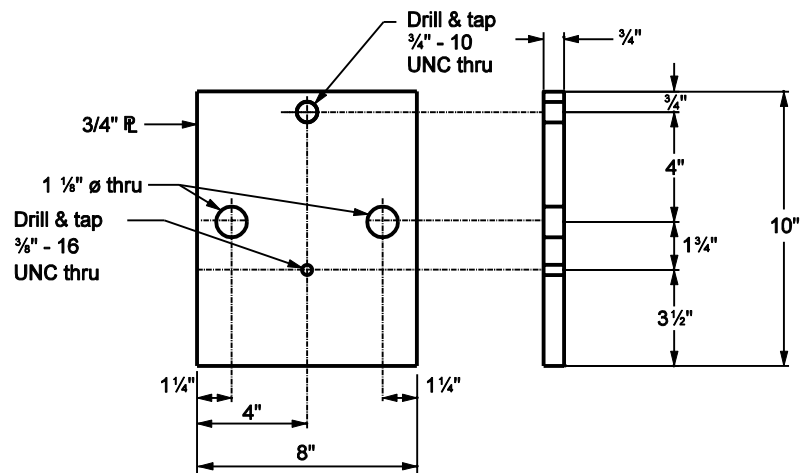
BEARING PLATE



STEEL TUBE SPACER ASSEMBLY



SECTION REAR VIEW
BRIDGE STEEL POST DETAIL



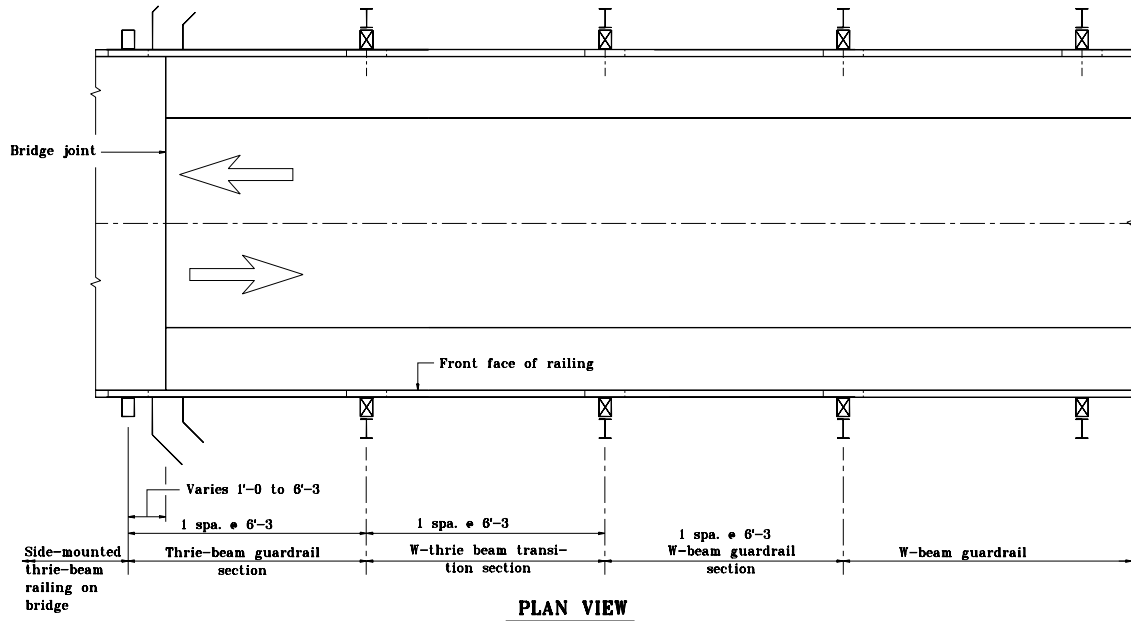
BASE PLATE

NOTES:

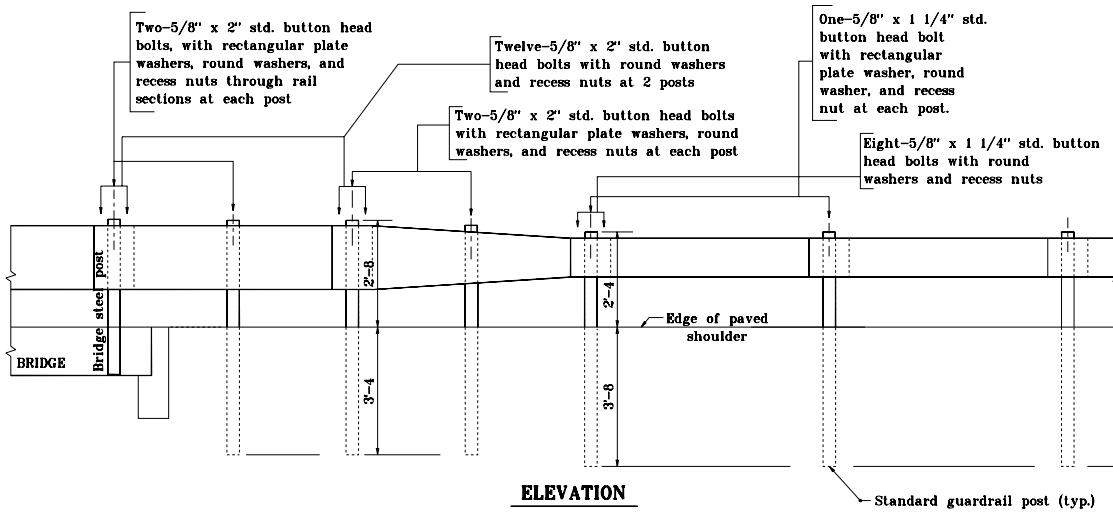
- 1 Post length may vary. If the 1" \varnothing anchor bolts in the deck must be lowered to accommodate the deck reinforcing steel, the steel base plate shall be lowered and the post length increased.
- 2 The structural tube in the steel tube spacer assembly shall be A 500 grade B structural tube.

NOTES:

1. See Recurring Plan Detail 706-8-140d sheet 1 for bridge Steel Post Detail.
2. See Standard Drawings E 601-TBGC-01 and E 601-TBGC-02 for thrie-beam guardrail components.
3. See Standard Drawings E 601-WBGC-01, E 601-WBGC-02 and E 601-WBGC-03 for W-beam guardrail components.



PLAN VIEW



ELEVATION