

NOTES:

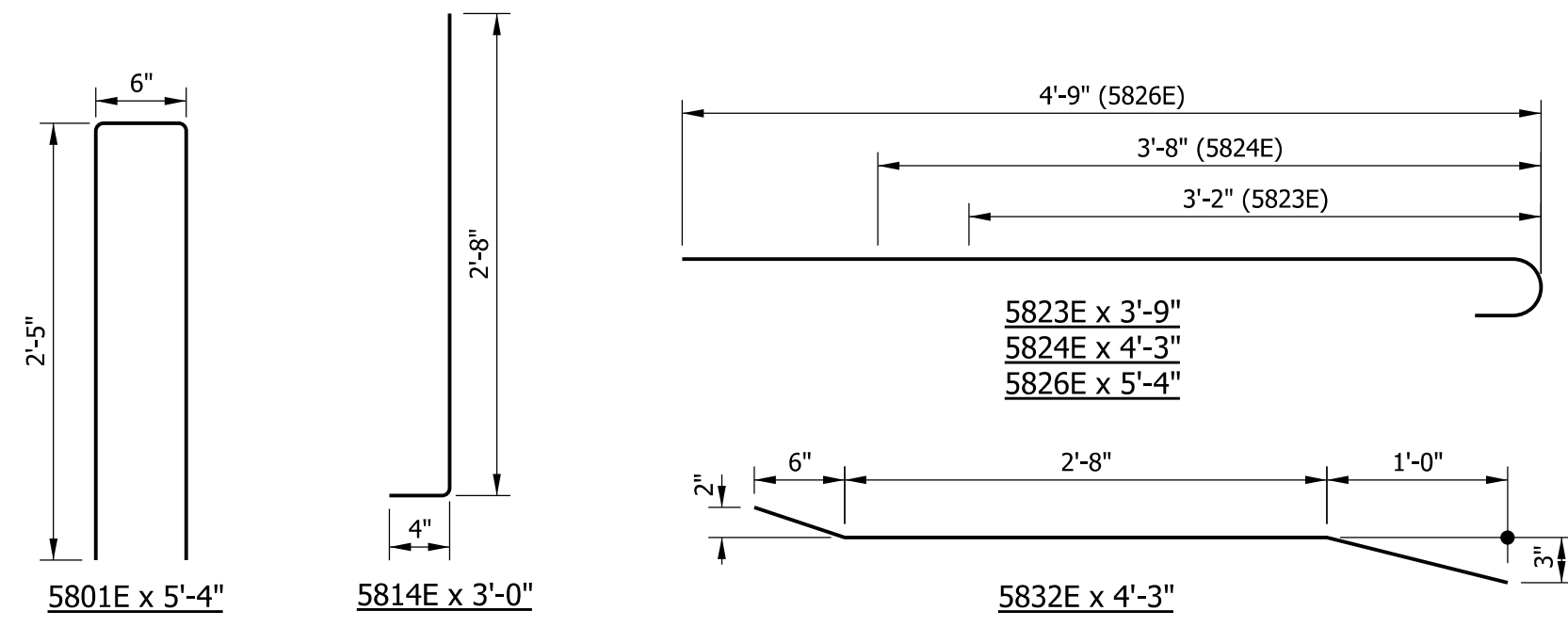
1. All chamfered edges shall be 3/4 in.
2. Construction joint type A. See Standard Drawing E 702-CJTA-01 for details.
3. See Standard Drawing E 703-BRST-01 for reinforcing-bar bending details and notes.
4. RCBA extension for bridge railing transition type TPS-1. See Standard Drawing E 609-TBAE-01 for details.
5. 7/8 in. diameter hole for attachment of steel bridge railing type PS-1, large rail. See Standard Drawing E 706-BRPP-03 for details.
6. 3/4 in. diameter hole for attachment of steel bridge railing type PS-1, small rail. See Standard Drawing E 706-BRPP-03 for details.




SECTION A-A

SECTION B-B

SECTION C-C

SECTION D-D



INDIANA DEPARTMENT OF TRANSPORTATION	
CONCRETE BRIDGE RAILING TRANSITION, TPS-1 SECTIONS AND REINFORCING BAR BENDING DETAILS	
SEPTEMBER 2019	
STANDARD DRAWING NO.	E 706-TTPP-05
	 
5/2/2019	DATE
6/5/2019	DATE