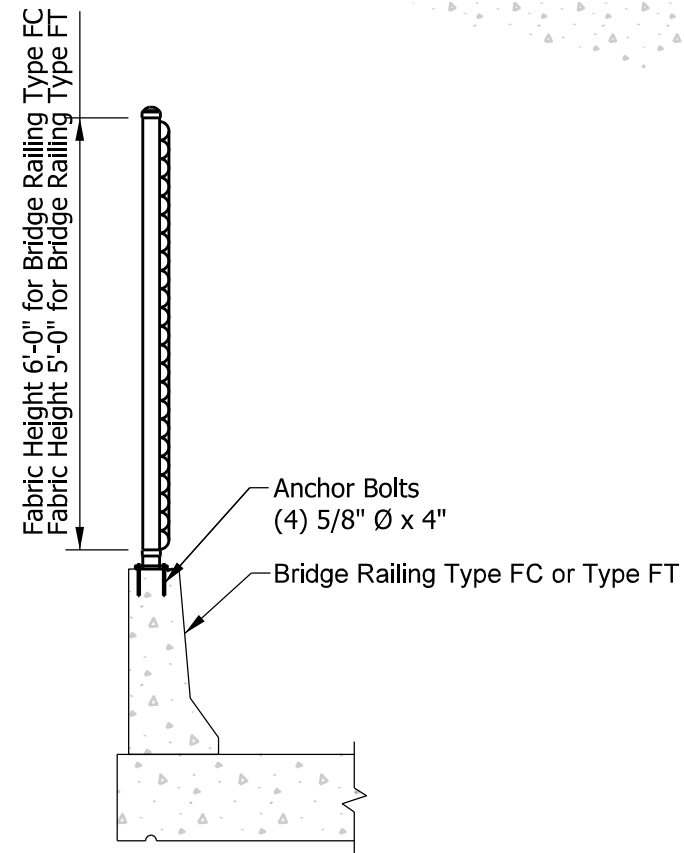
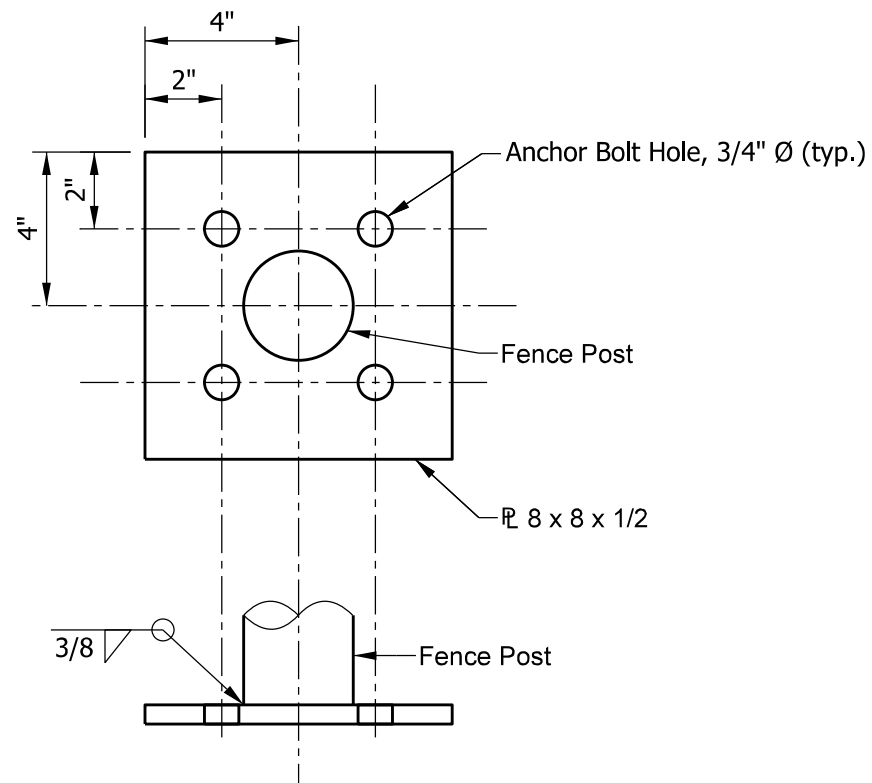


ELEVATION



TYPICAL SECTION



BASE PLATE DETAILS

INDIANA DEPARTMENT OF TRANSPORTATION	
BRIDGE RAILING PEDESTRIAN FENCE	
SEPTEMBER 2012	
STANDARD DRAWING NO.	E 706-BRPF-01
	/s/ <i>Richard L. VanCleave</i> 09/04/12
	SUPERVISOR, ROADWAY STANDARDS DATE
	/s/ <i>Mark A. Miller</i> 09/04/12
CHIEF ENGINEER	DATE