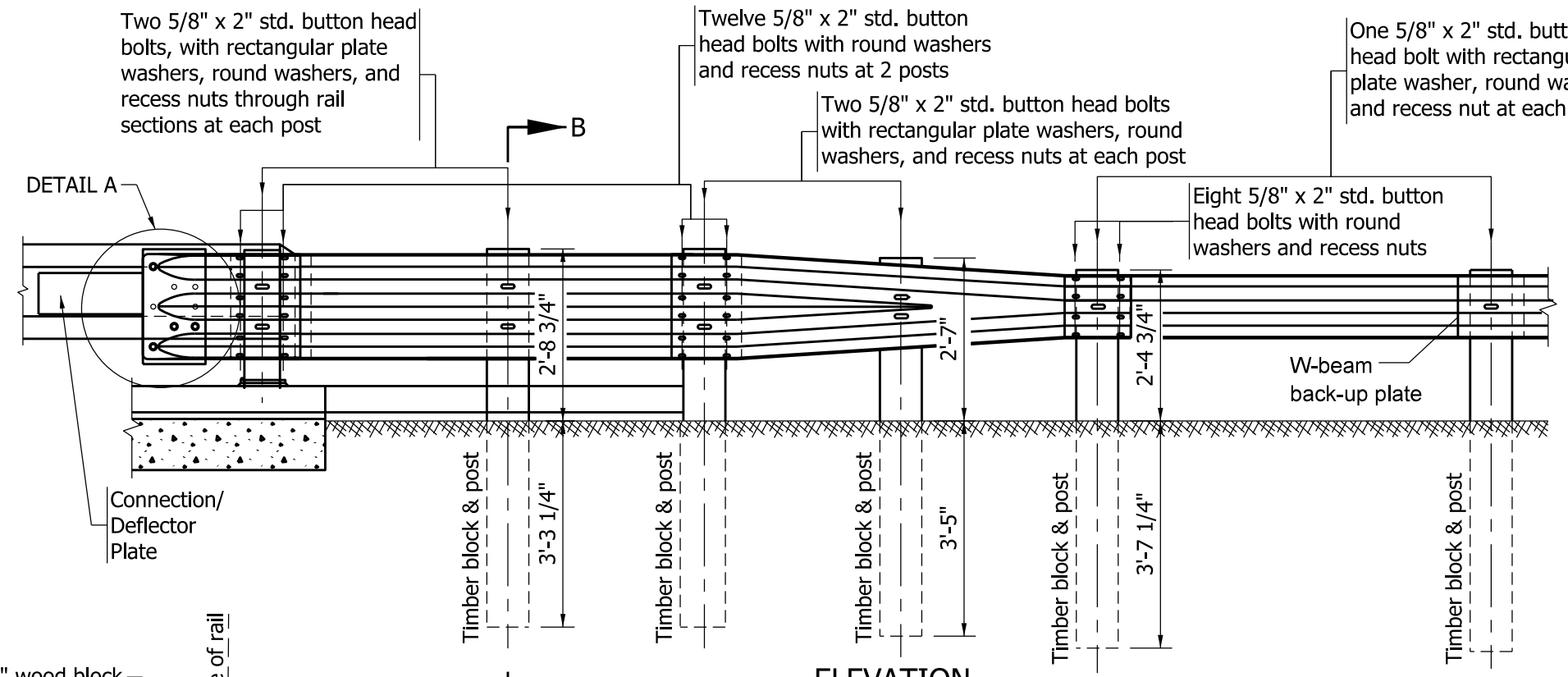
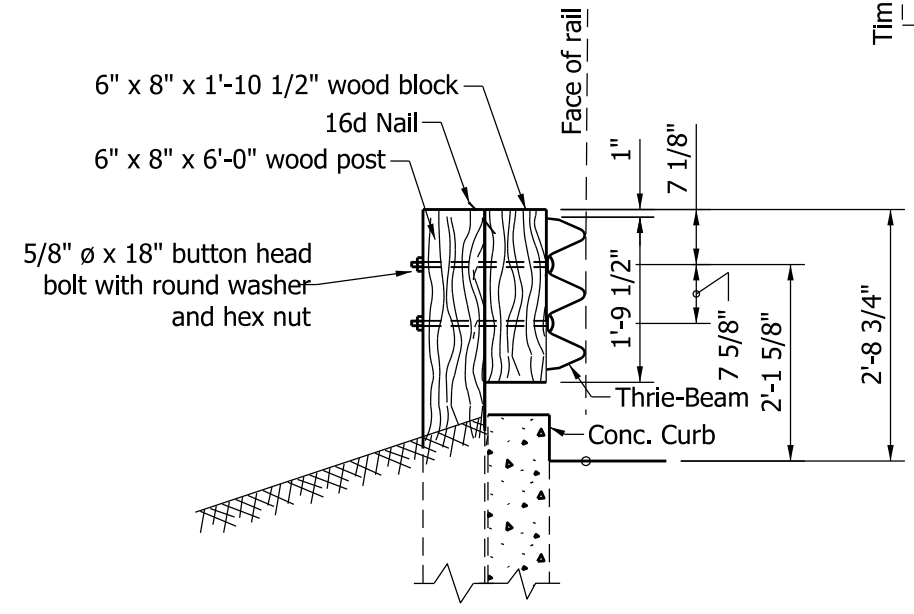


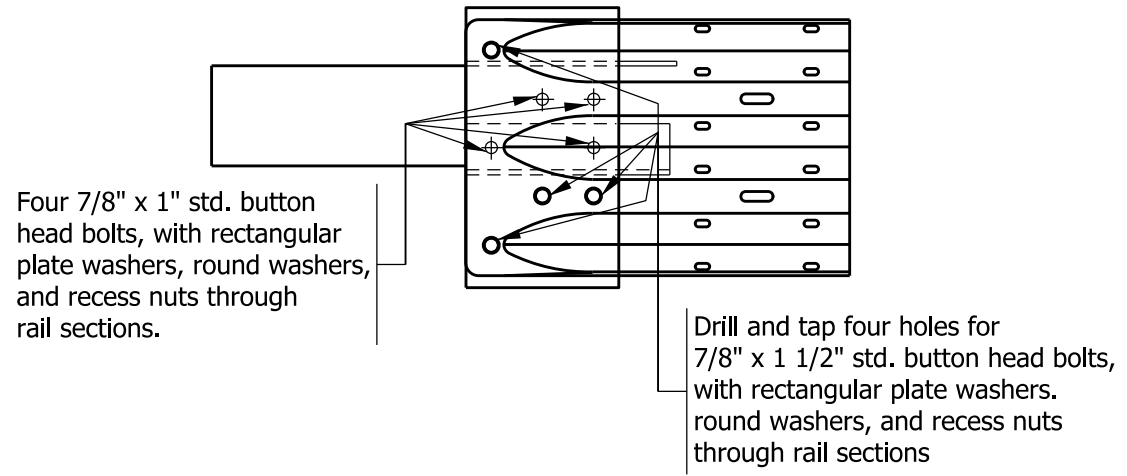
**PLAN**



**ELEVATION**



**SECTION B-B**

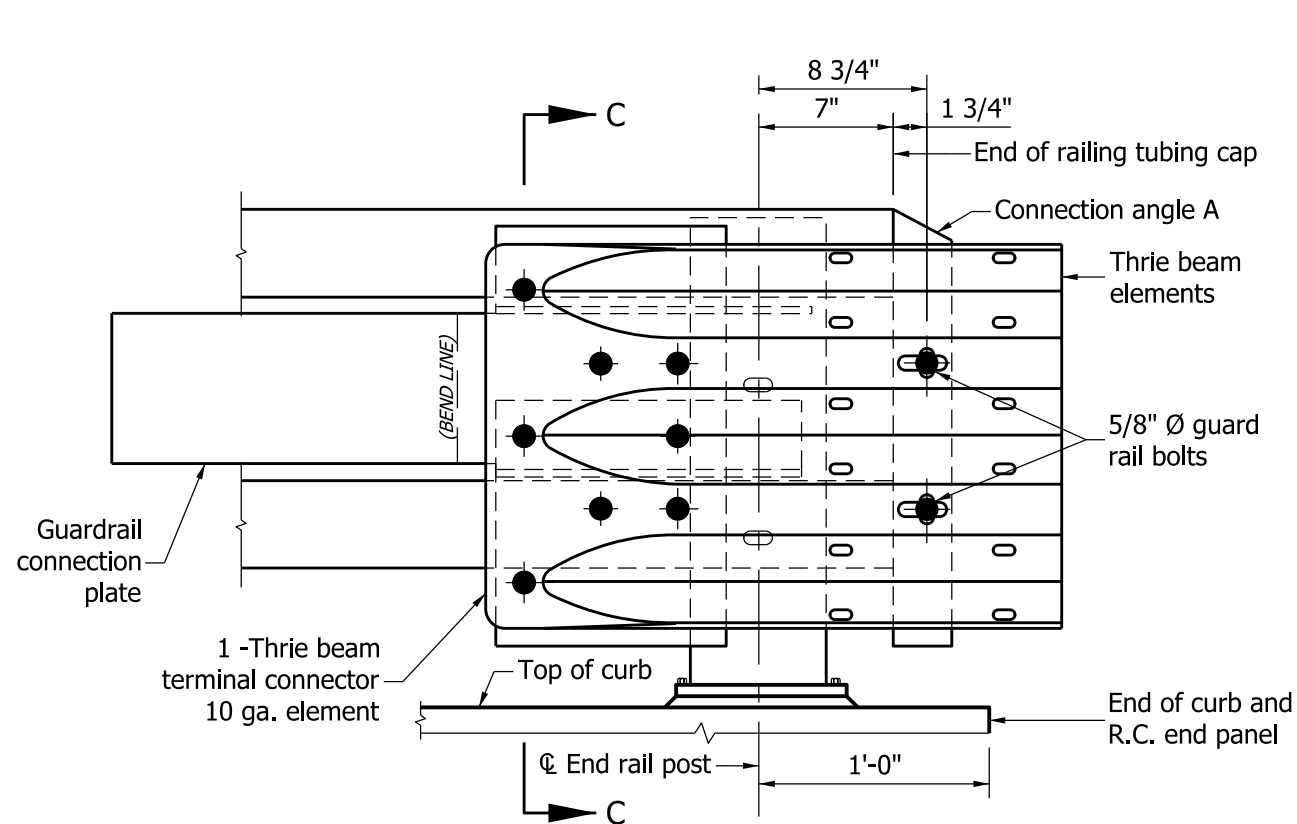


**DETAIL A**

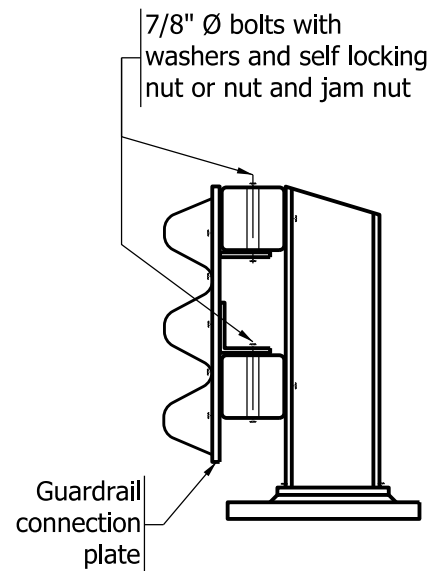
**NOTES:**

1. See Standard Drawing E 601-TBGC-01 and E 601-TBGC-02 for thrie-beam transition details.
2. See Standard Drawing E 601-TTGT-02 for transition connection detail, timber post detail and timber block detail.

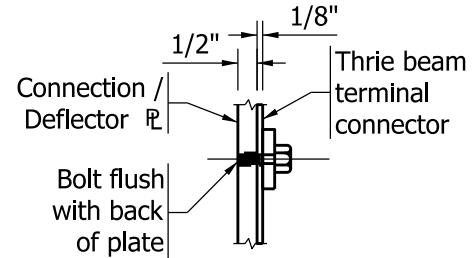
INDIANA DEPARTMENT OF TRANSPORTATION	
GUARDRAIL TRANSITION, TGT	
SEPTEMBER 2011	
STANDARD DRAWING NO.	E 601-TTGT-01
	/s/ <i>Richard L. VanCleave</i> 09/01/11
	DESIGN STANDARDS ENGINEER      DATE
	/s/ <i>Mark A. Miller</i> 09/01/11
	CHIEF HIGHWAY ENGINEER      DATE
DESIGN STANDARDS ENGINEER	



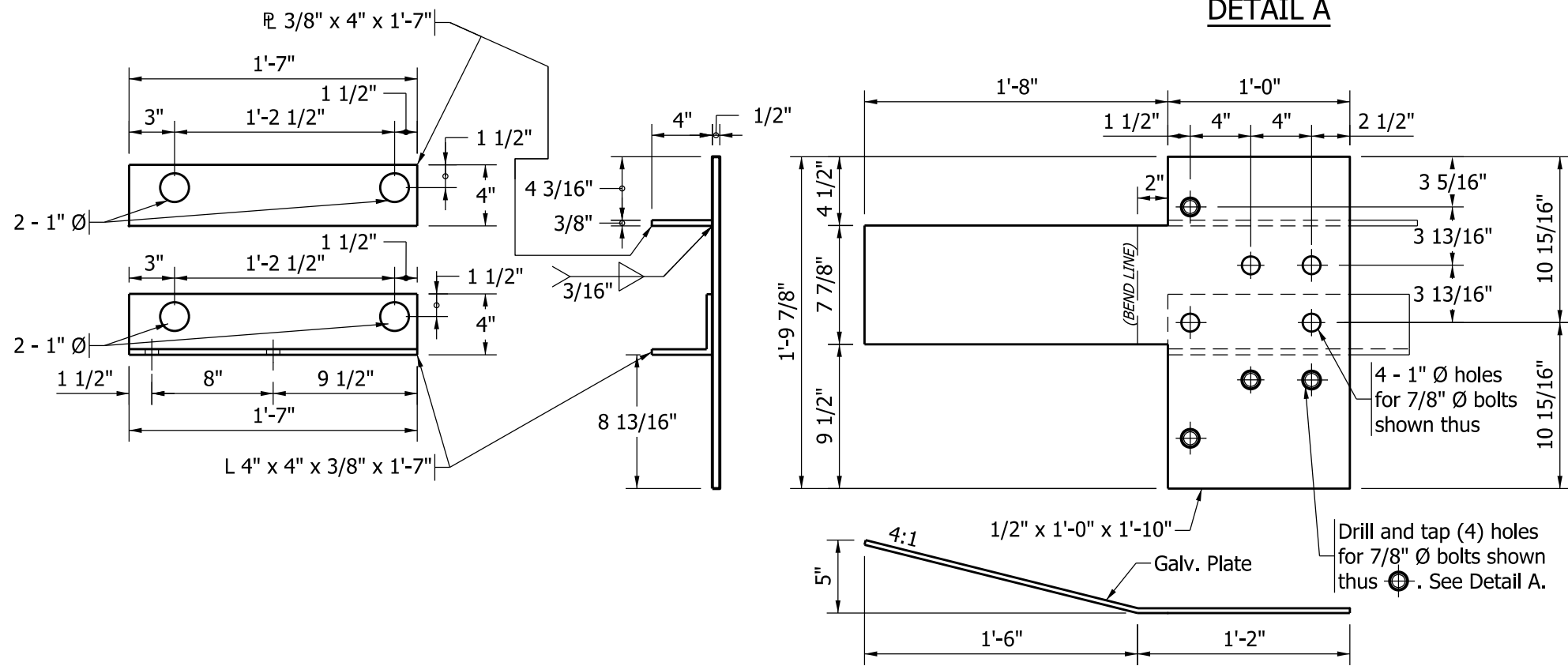
**ELEVATION - TRANSITION CONNECTION**



**SECTION C-C**



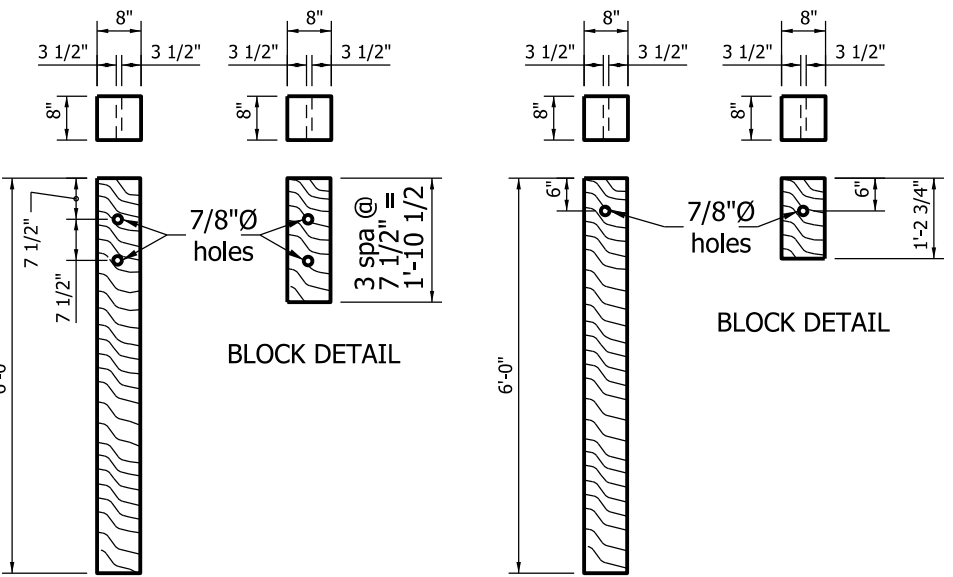
**DETAIL A**



**GUARDRAIL CONNECTION / DEFLECTOR PLATE DETAILS**

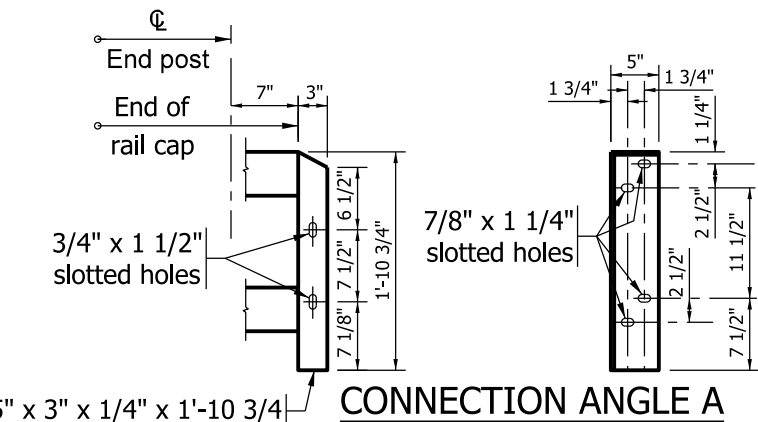
**NOTE:**

1. See Standard Drawing E 706-BRTM-02 for railing tubing cap details.



**TIMBER POST DETAIL FOR THRIE-BEAM GUARDRAIL CONNECTION**

**TIMBER POST DETAIL FOR W-BEAM GUARDRAIL CONNECTION**



**CONNECTION ANGLE A**

INDIANA DEPARTMENT OF TRANSPORTATION	
GUARDRAIL TRANSITION, TGT	
SEPTEMBER 2011	
STANDARD DRAWING NO.	E 601-TTGT-02
	/s/ <i>Richard L. VanCleave</i> 09/01/11
	DESIGN STANDARDS ENGINEER DATE
	/s/ <i>Mark A. Miller</i> 09/01/11
	CHIEF HIGHWAY ENGINEER DATE
DESIGN STANDARDS ENGINEER	