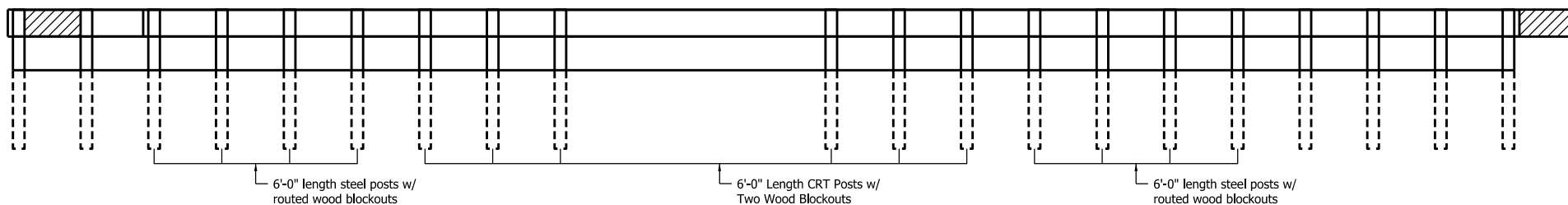


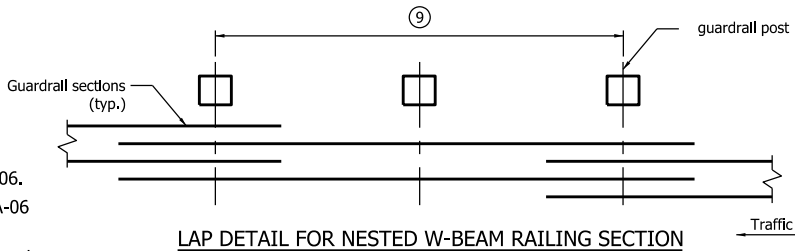
PLAN



ELEVATION

NOTES:

- ② For two-lane two-way operation, use GRET type OS. For structure width > 24'-3", provide three additional spans of standard W-beam guardrail at 6'-3" each before attaching the GRET.
- ③ For multi-lane divided operation, use cable terminal, anchor, See Standard Drawing E 601-GCTA-01 through E 601-GCTA-06.
4. See Standard Drawings E 601-GRET-10, 11 and E 601-WBGA-06 for GRET Type II details.
5. See Standard Drawings E 601-NWGA-02, 03 and 04 for post and block assemblies details.
- ⑥ Maximum structure width shall be 24'-3" out to out of structure(s) parallel to road centerline for skewed or perpendicular structure. In this case posts are not located over portion of structure.
- ⑦ Maximum structure width shall be 61'-0" out to out of structure(s) parallel to roadway centerline for skewed or perpendicular structure. Modified posts (5 through 10) over the structure where required, see Standard Drawing E 601-NWGA-03. The remaining wood posts shall be shown on Standard Drawing E 601-NWGA-02.

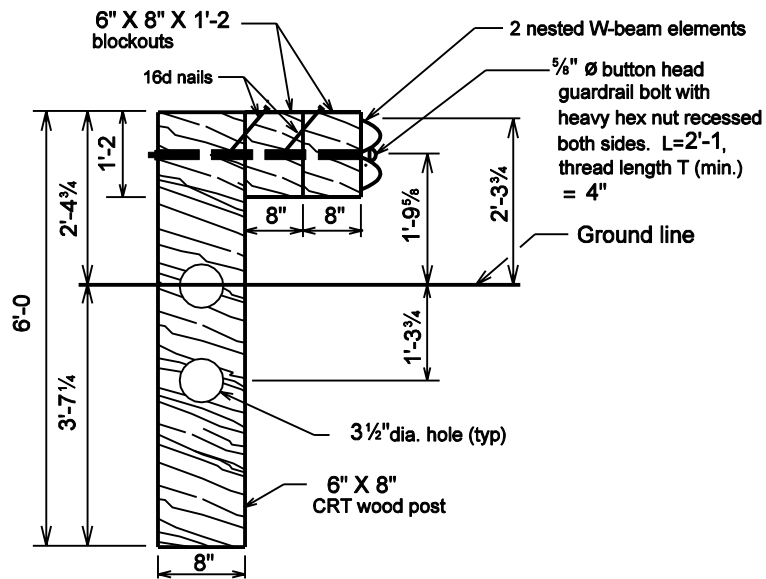


LAP DETAIL FOR NESTED W-BEAM RAILING SECTION

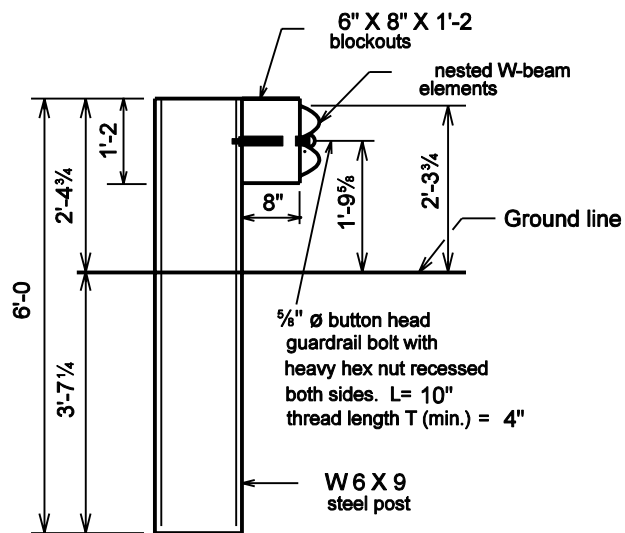
NOTES:

- ⑧ Post shall clear outer structure side by 4" min.
- ⑨ This dimension is 25'-0" between posts 7 and 8. The dimension is 12'-6" or 25'-0" elsewhere.
10. For grading requirements see Standard Drawings E 601-GRET-06 through 09 and E 601-GRET-12.

INDIANA DEPARTMENT OF TRANSPORTATION	
25'-0" SPAN NESTED GUARDRAIL FOR LARGE DRAINAGE STRUCTURE	
SEPTEMBER 2010	
STANDARD DRAWING NO.	E 601-NWGA-01
	/s/ Richard L. VanCleave 09/01/10 DESIGN STANDARDS ENGINEER DATE
	/s/ Mark A. Miller 09/01/10 CHIEF HIGHWAY ENGINEER DATE
DESIGN STANDARDS ENGINEER	



NESTED GUARDRAIL ASSEMBLY.
(Posts 5 to 10)



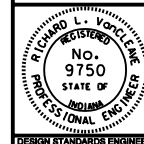
**STEEL POST AND BLOCK FOR USE WITH
NESTED GUARDRAIL ASSEMBLY**
(Posts 1 to 4 and 11 to 14)

INDIANA DEPARTMENT OF TRANSPORTATION

**NESTED GUARDRAIL ASSY.
FOR STRUCTURE WIDTH ≤ 24'-3**

SEPTEMBER 2001

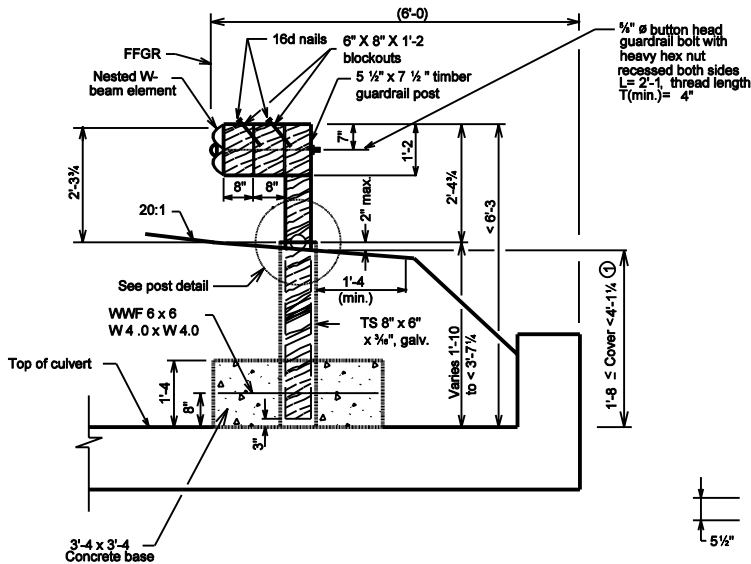
STANDARD DRAWING NO. E 601-NWGA-02



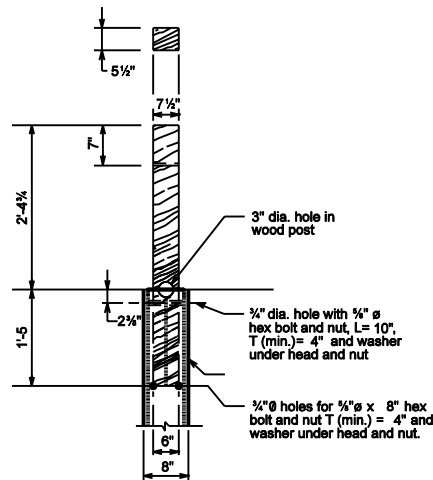
/s/ Richard L. VanCleave 9-04-01
DESIGN STANDARDS ENGINEER DATE

/s/ Firroz Zandi 9-04-01
CHIEF HIGHWAY ENGINEER DATE

DESIGN STANDARDS ENGINEER



**NESTED W-BEAM GUARDRAIL
ASSY. WITH MODIFIED POSTS
OVER STRUCTURE WIDTH
(POSTS 5 TO 10)**



POST DETAIL

NOTES:

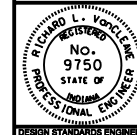
- ① Use modified guardrail posts.

INDIANA DEPARTMENT OF TRANSPORTATION

**GUARDRAIL ASSEMBLY FOR
STRUCTURE WIDTH > 24'-3"**

SEPTEMBER 2001

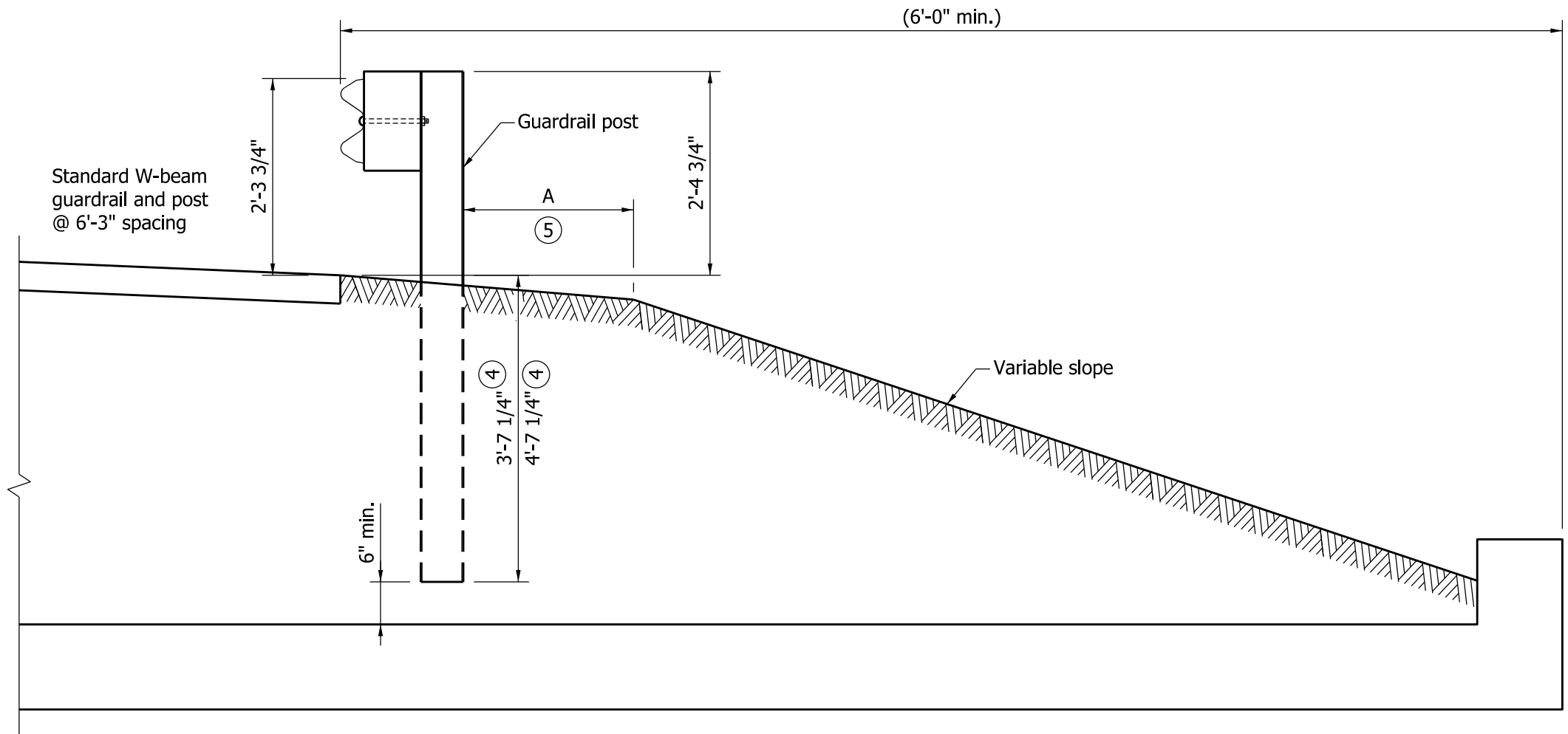
STANDARD DRAWING NO. E 601-NWGA-03



/s/ Richard L. VanCleave 9-04-01
DESIGN STANDARDS ENGINEER DATE

/s/ Firooz Zandi 9-04-01
CHIEF HIGHWAY ENGINEER DATE


DESIGN STANDARDS ENGINEER



NOTES:

1. This drawing shall be used for any structure width provided cover over structure $\geq 4'-1 \frac{1}{4}"$.
2. The 6'-0" length guardrail post shall be used if $4'-1 \frac{1}{4}" \leq \text{cover} \leq 5'-1 \frac{1}{4}"$.
3. The 7'-0" long guardrail post shall be used if cover $> 5'-1 \frac{1}{4}"$.
- ④ 3'-7 1/4" for 6'-0" length post and 4'-7 1/4" for 7'-0" length post.
- ⑤ A = 2'-0" for 6'-0" length post.
A = 0 (min.) for 7'-0" length post.

GUARDRAIL ASSEMBLY FOR COVER $\geq 4'-1 \frac{1}{4}"$
FOR ANY STRUCTURE WIDTH

INDIANA DEPARTMENT OF TRANSPORTATION									
GUARDRAIL ASSEMBLY FOR ANY STRUCTURE WIDTH									
SEPTEMBER 2011									
STANDARD DRAWING NO.	E 601-NWGA-04								
	<table style="width: 100%; border-collapse: collapse;"> <tr> <td style="text-align: center;"><i>/s/ Richard L. VanCleave</i></td> <td style="text-align: center;">09/01/11</td> </tr> <tr> <td style="text-align: center;">DESIGN STANDARDS ENGINEER</td> <td style="text-align: center;">DATE</td> </tr> <tr> <td style="text-align: center;"><i>/s/ Mark A. Miller</i></td> <td style="text-align: center;">09/01/11</td> </tr> <tr> <td style="text-align: center;">CHIEF HIGHWAY ENGINEER</td> <td style="text-align: center;">DATE</td> </tr> </table>	<i>/s/ Richard L. VanCleave</i>	09/01/11	DESIGN STANDARDS ENGINEER	DATE	<i>/s/ Mark A. Miller</i>	09/01/11	CHIEF HIGHWAY ENGINEER	DATE
<i>/s/ Richard L. VanCleave</i>	09/01/11								
DESIGN STANDARDS ENGINEER	DATE								
<i>/s/ Mark A. Miller</i>	09/01/11								
CHIEF HIGHWAY ENGINEER	DATE								
DESIGN STANDARDS ENGINEER									