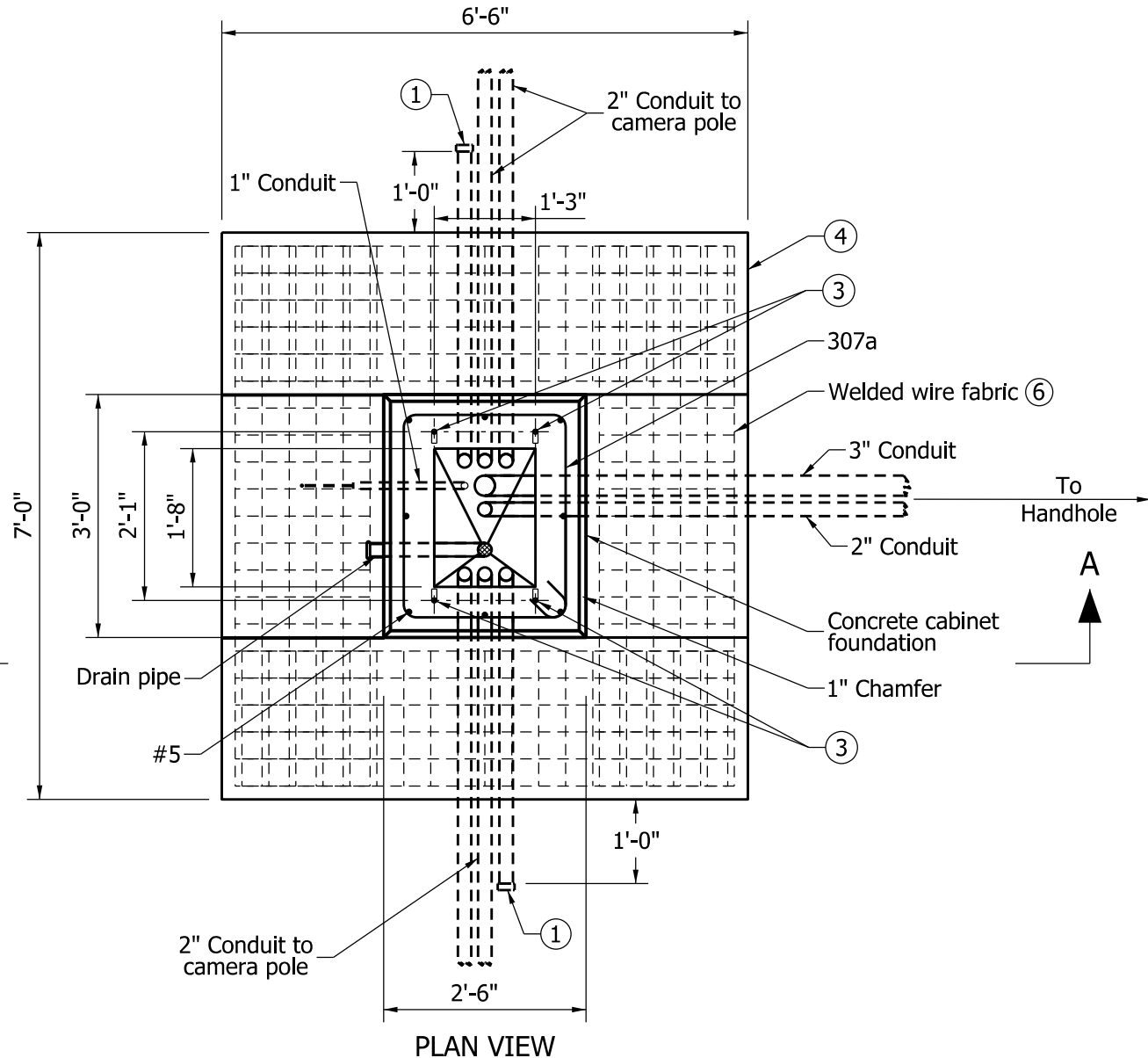
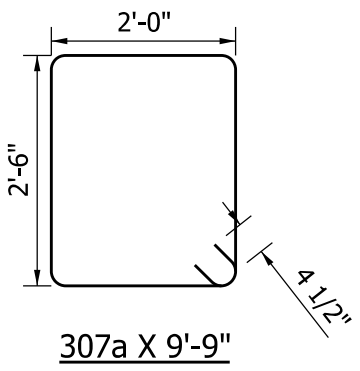
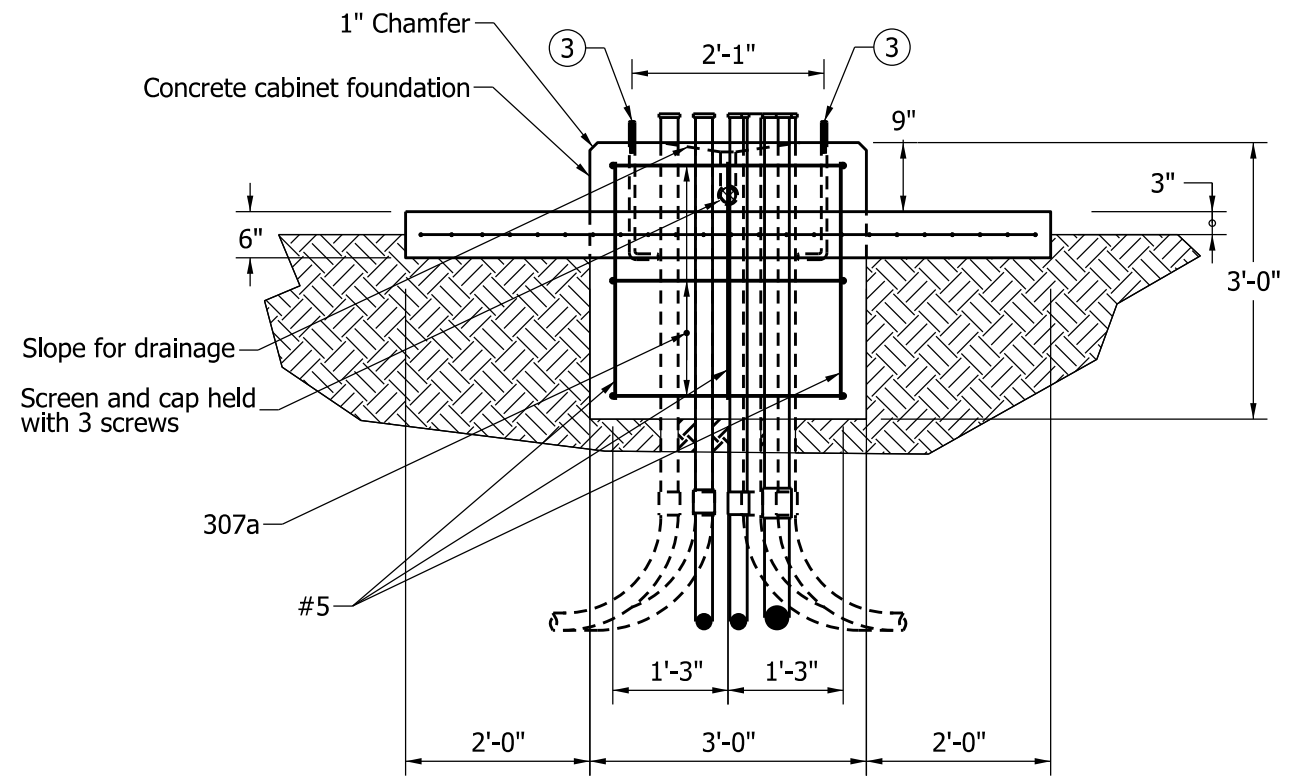


SECTION A-A



PLAN VIEW



SIDE VIEW

NOTES:

- ① 2" conduit capped off for future use.
- 2. Direction and actual location of conduit may vary due to service point and camera pole placement.
- ③ 3/4" x 18" anchor bolt as shown on Standard Drawing E 805 SGPB-01.
- ④ Concrete footpad shall be sloped to drain outward.
- ⑤ Bind ground rod to foundation using No. 2 solid tinned ground wire.
- ⑥ Welded wire fabric shall be 6 x 6 W6 x W6.

INDIANA DEPARTMENT OF TRANSPORTATION	
ITS CONTROLLER CABINET FOUNDATION VIRTUAL WEIGH-IN-MOTION (VWIM)	
SEPTEMBER 2012	
STANDARD DRAWING NO. E 809-ICCF-01	
	<i>/s/ Richard L. VanCleave</i> 09/04/12 SUPERVISOR, ROADWAY STANDARDS DATE
	<i>/s/ Mark A. Miller</i> 09/04/12 CHIEF ENGINEER DATE