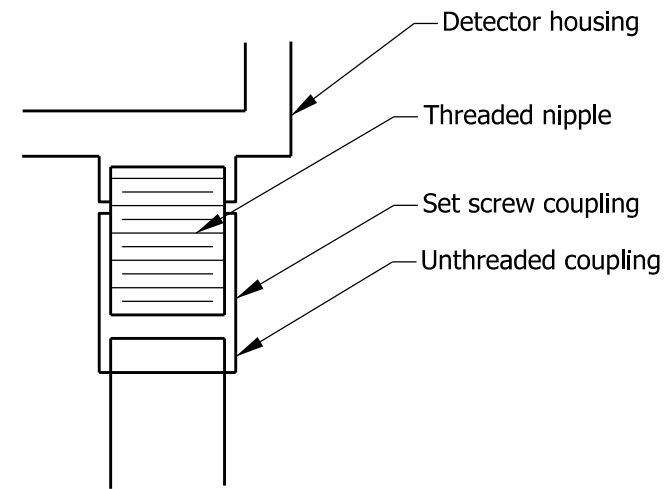
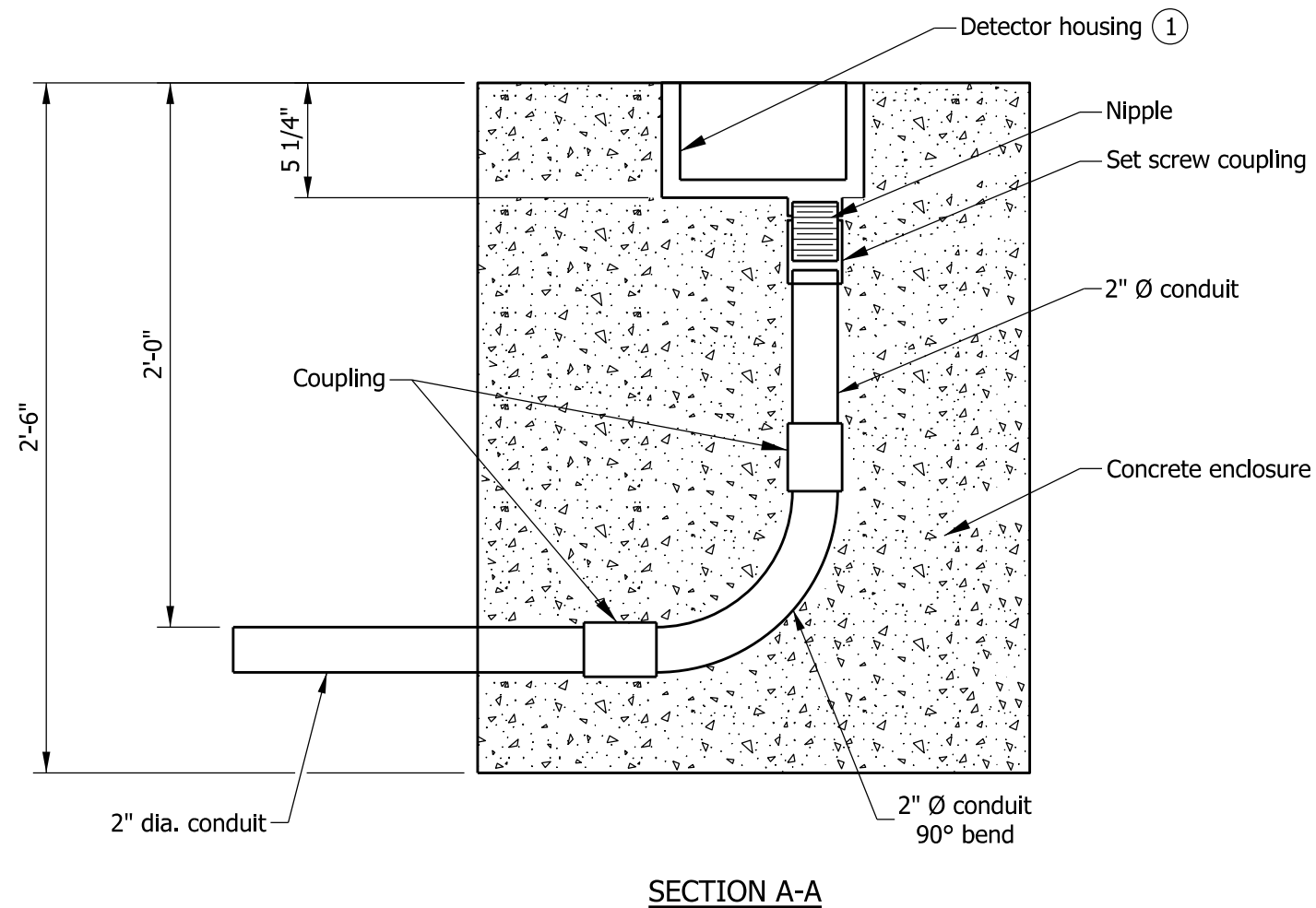


NOTE

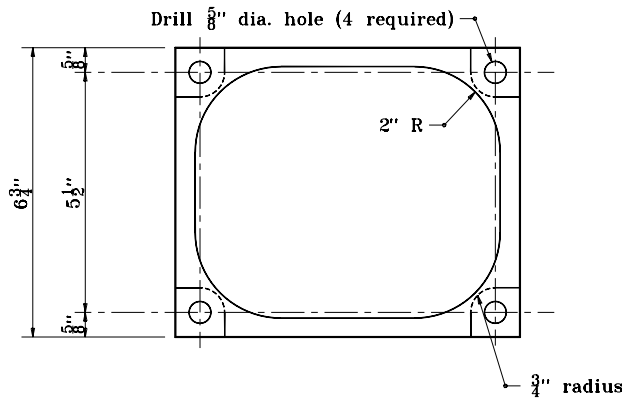
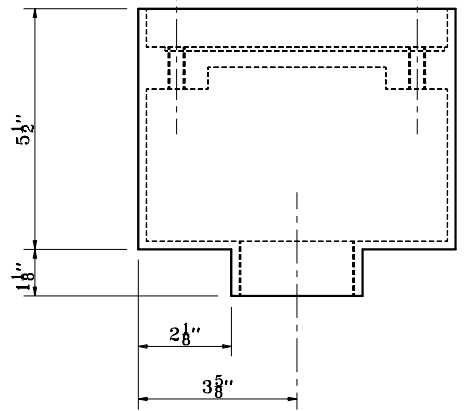
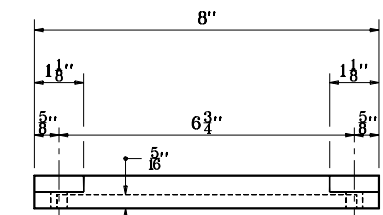
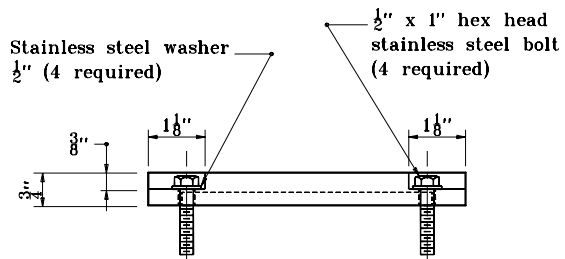
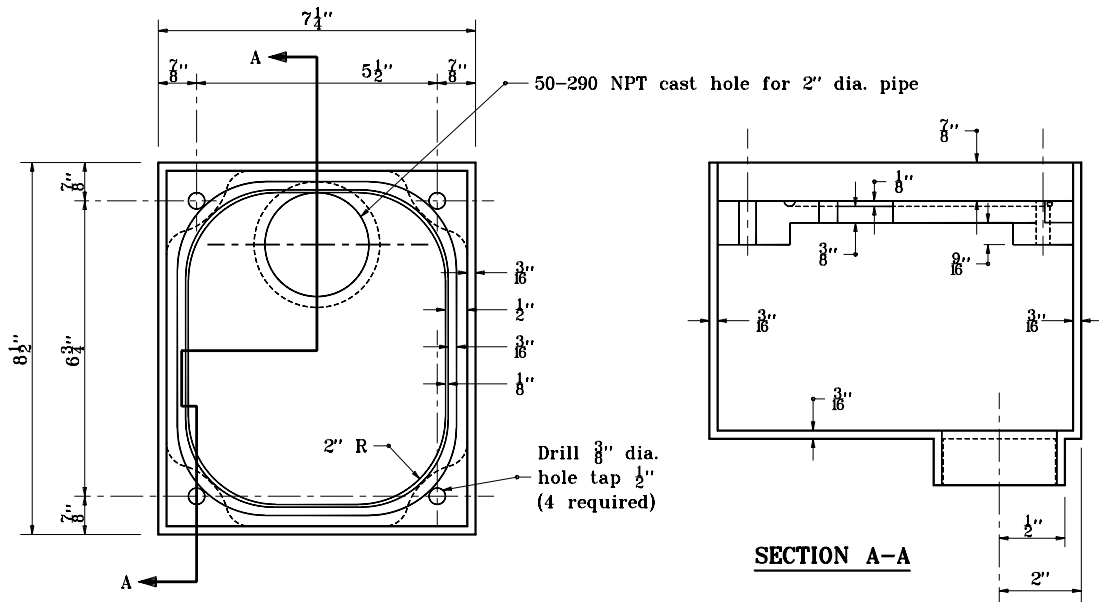
① See Standard Drawing E 805-SGDH-02 for detector housing detail.



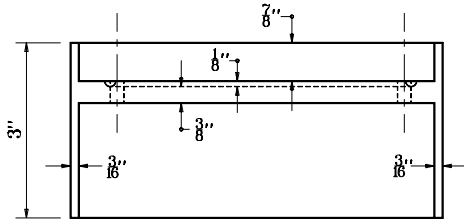
**DETECTOR HOUSING
COUPLING DETAIL**



INDIANA DEPARTMENT OF TRANSPORTATION	
INSTALLATION DETAIL DETECTOR HOUSING	
SEPTEMBER 2012	
STANDARD DRAWING NO.	E 805-SGDH-01
	/s/ <i>Richard L. VanCleave</i> 09/04/12
	SUPERVISOR, ROADWAY STANDARDS DATE
	/s/ <i>Mark A. Miller</i> 09/04/12
	CHIEF ENGINEER DATE



INDIANA DEPARTMENT OF TRANSPORTATION	
DETAIL OF DETECTOR HOUSING	
MAY 1998	
STANDARD DRAWING NO. E 805-SGDH-02	
DETAILS PLACED IN THIS FORMAT 11-15-99	
	/s/ Anthony L. Uremovich 11-15-99 DESIGN STANDARDS ENGINEER DATE
	/s/ Firooz Zandi 11-15-99 CHIEF HIGHWAY ENGINEER DATE
	ORIGINALLY APPROVED 5-01-98



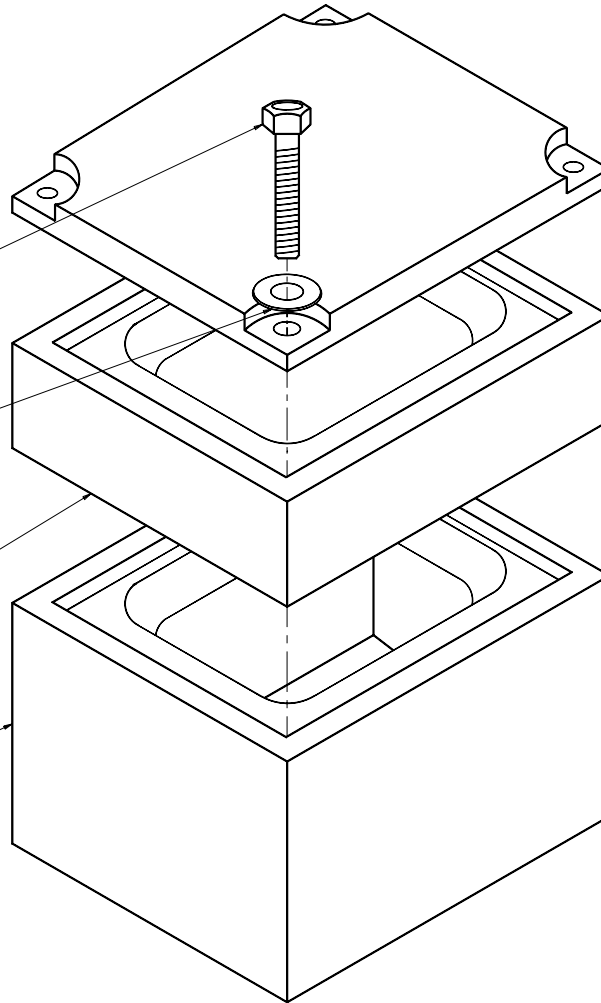
CROSS SECTION OF HOUSING ADAPTOR

1/2" x 4" hex head stainless steel bolt
(4 required) threaded 3 1/2"

Stainless steel washer
1/2" (4 required)

Detector housing adaptor

Detector housing



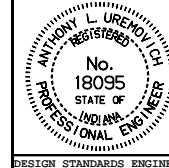
INDIANA DEPARTMENT OF TRANSPORTATION

**DETAILS OF DETECTOR
HOUSING ADAPTER**

MARCH 1995

STANDARD DRAWING NO. **E 805-SGDH-03**

DETAILS PLACED IN THIS FORMAT 11-15-99



/s/ Anthony L. Uremovich 11-15-99
DESIGN STANDARDS ENGINEER DATE

/s/ Firooz Zandi 11-15-99
CHIEF HIGHWAY ENGINEER DATE

DESIGN STANDARDS ENGINEER

ORIGINALLY APPROVED 3-01-95