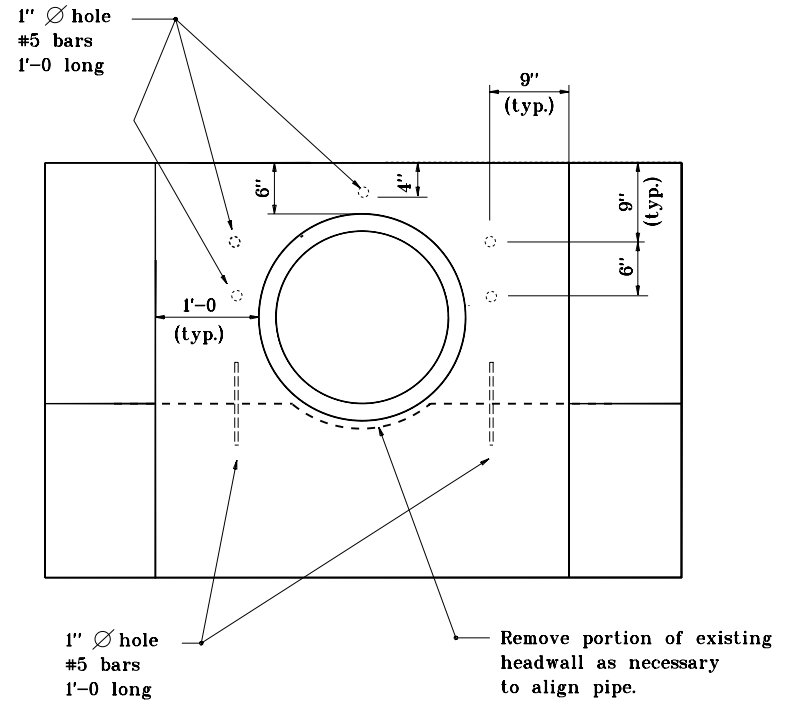


SIDE VIEW



END VIEW

NOTES:

1. For other types of pipe end structures and pipes larger than 33" \varnothing , collar details are shown on the plans.
- ② Remove portions of existing headwall if required to maintain 4" ground cover.

| | |
|---|---|
| INDIANA DEPARTMENT OF TRANSPORTATION | |
| CONCRETE COLLAR FOR PIPE EXTENSION | |
| JANUARY 1998 | |
| STANDARD DRAWING NO. E 715-PCEX-01 | |
| | DETAILS PLACED IN THIS FORMAT 7-27-99 /s/ Anthony L. Uremovich 7-27-99 DESIGN STANDARDS ENGINEER DATE |
| DESIGN STANDARDS ENGINEER | /s/ Firooz Zandi 7-27-99 CHIEF HIGHWAY ENGINEER DATE ORIGINALLY APPROVED 1-02-98 |