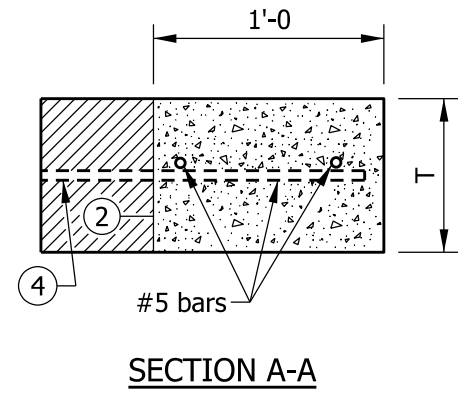
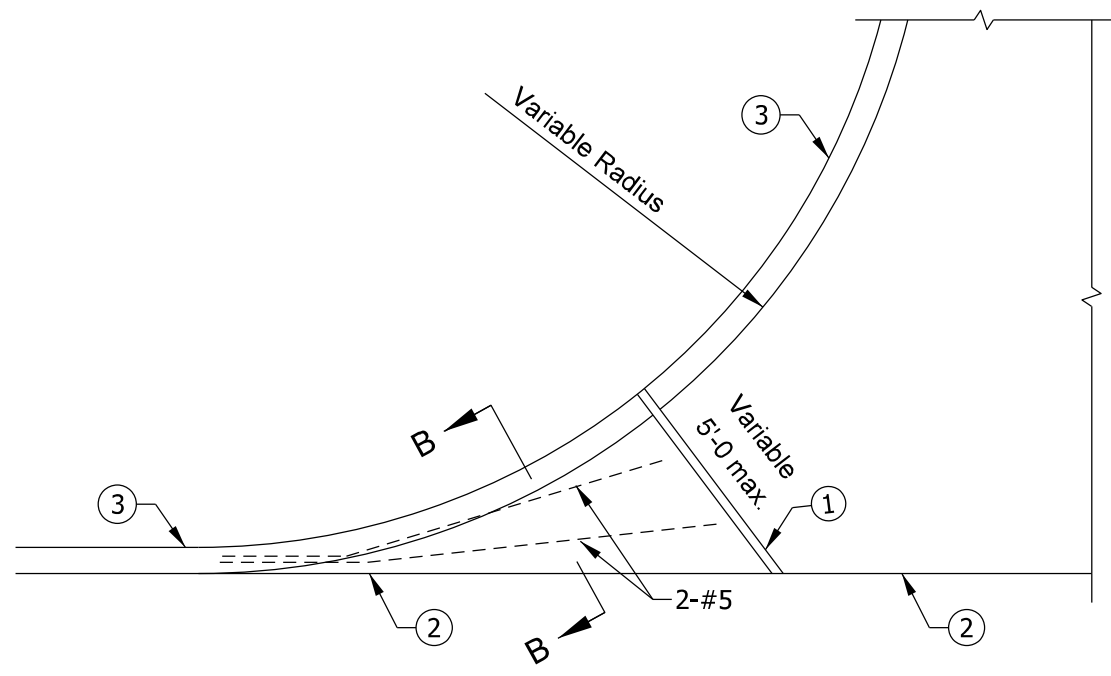


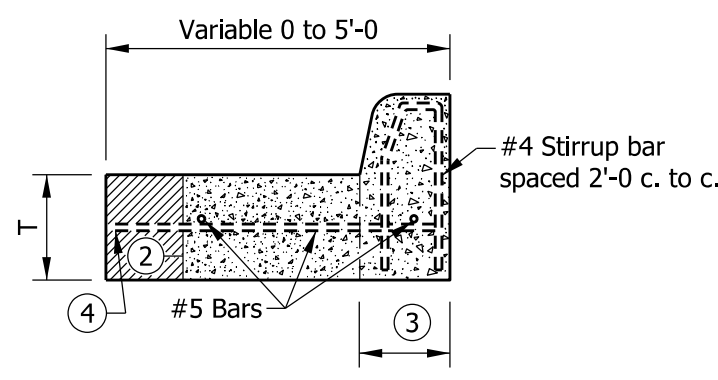
**EAR CONSTRUCTION TYPE "A"**



**SECTION A-A**






**EAR CONSTRUCTION TYPE "B"**



**SECTION B-B**

**NOTES:**

- ① 1" performed joint filler (perpendicular to radius)
  - ② Longitudinal construction joint, see Standard Drawing series E 503-CCPJ.
  - ③ Integral concrete curb
  - ④ Where pavement is in place use retrofit construction tie bar.
- T = Thickness of pavement

<b>INDIANA DEPARTMENT OF TRANSPORTATION</b>	
<b>EAR CONSTRUCTION TYPE A &amp; B</b>	
<b>SEPTEMBER 2019</b>	
<b>STANDARD DRAWING NO.</b>	<b>E 605-ERCN-01</b>
	<div style="display: flex; justify-content: space-between;"> <div style="text-align: center;">               DESIGN STANDARDS ENGINEER           </div> <div style="text-align: right;">             5/2/2019              DATE           </div> </div> <hr/> <div style="display: flex; justify-content: space-between;"> <div style="text-align: center;">               CHIEF ENGINEER           </div> <div style="text-align: right;">             5/31/2019              DATE           </div> </div>