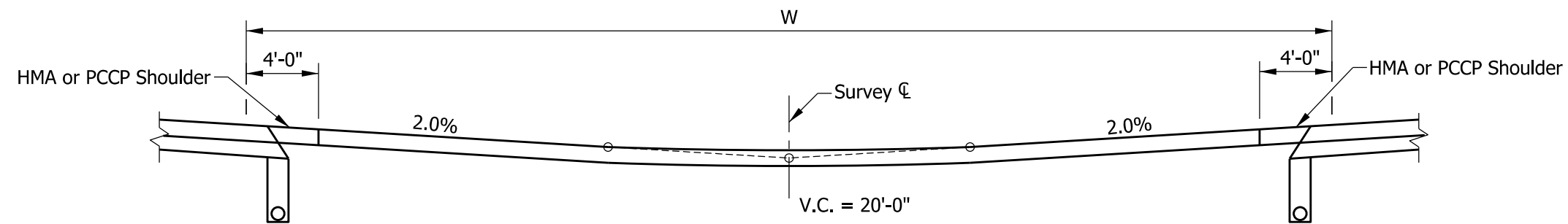
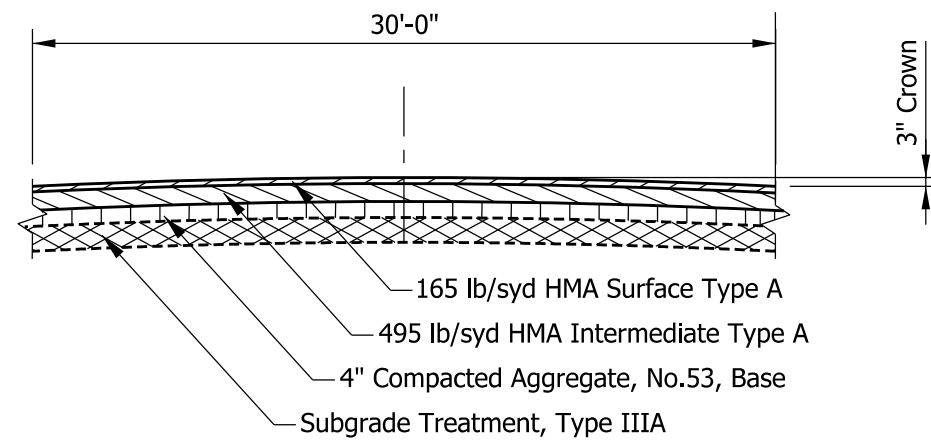


PLAN



GRADE OF U-TURN MEDIAN OPENING

Vertical scale exaggerated for clarity



SECTION A-A

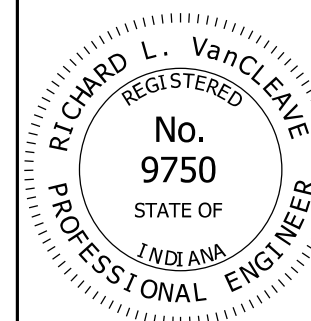
Vertical scale exaggerated for clarity

INDIANA DEPARTMENT OF TRANSPORTATION

U-TURN MEDIAN OPENING

SEPTEMBER 2013

STANDARD DRAWING NO. E 610-UTMO-01



/s/ *Richard L. VanCleave* 02/04/13

DESIGN STANDARDS ENGINEER DATE

/s/ *Mark A. Miller* 03/27/13

CHIEF ENGINEER DATE