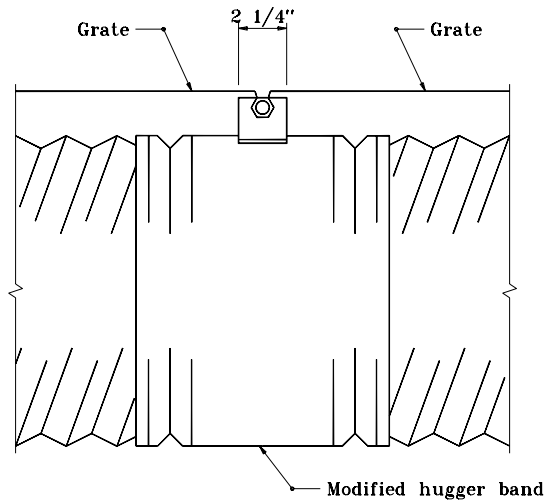
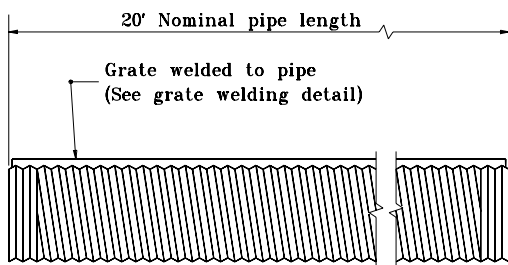


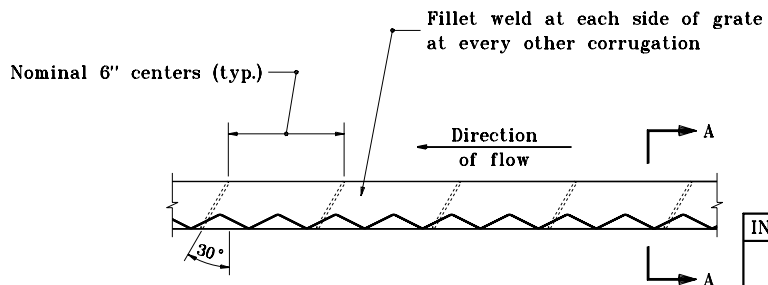
**MODIFIED HUGGER BAND
TOP VIEW**



**MODIFIED HUGGER BAND
SIDE VIEW**



TYPICAL PIPE SECTION



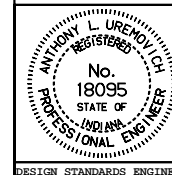
GRATE WELDING DETAIL

INDIANA DEPARTMENT OF TRANSPORTATION

SLOTTED DRAIN PIPE

APRIL 1995

STANDARD DRAWING NO. **E 715-SDLR-01**



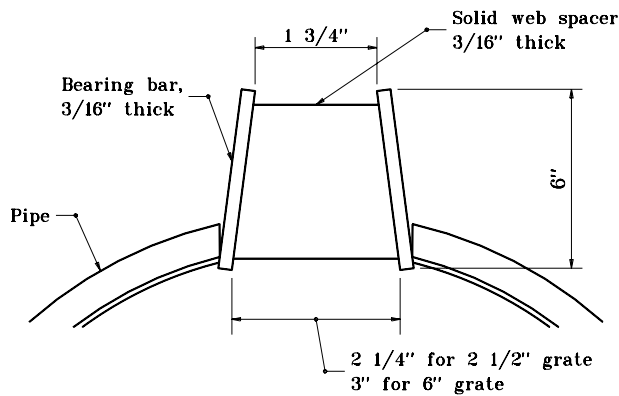
DETAILS PLACED IN THIS FORMAT 11-15-99

/s/ Anthony L. Uremovich 11-15-99
DESIGN STANDARDS ENGINEER DATE

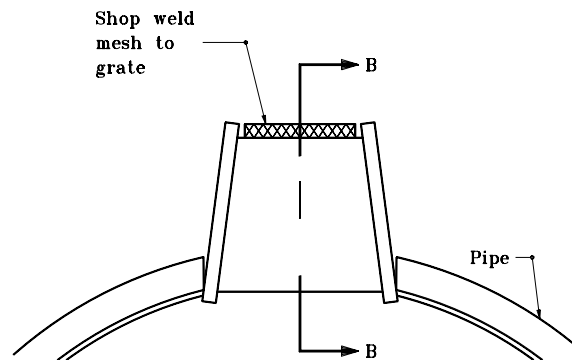
/s/ Firooz Zandi 11-15-99
CHIEF HIGHWAY ENGINEER DATE

DESIGN STANDARDS ENGINEER

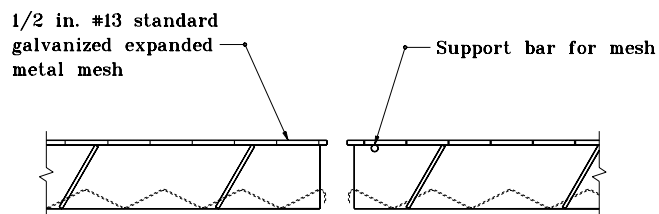
ORIGINALLY APPROVED 4-04-95



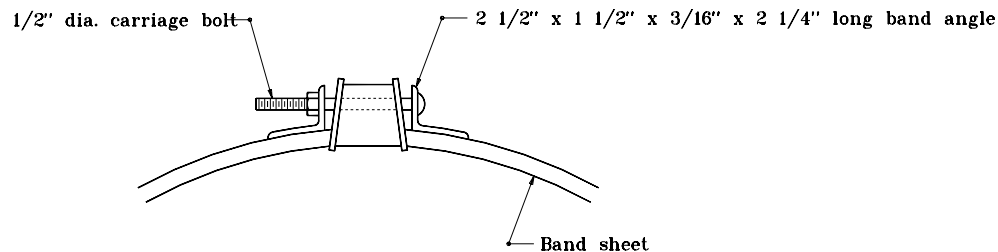
**SECTION A-A
STANDARD GRATE DETAIL**



**SECTION A-A
GRATE DETAIL WITH MESH**



SECTION B-B



SECTION C-C

STANDARD SIZES						
PIPE THICKNESS (IN.)	DIAMETER OF PIPE (IN.)					
	12	15	18	24	30	36
0.064	X	X	X	X	X	X
0.079	X	X	X	X	X	X
0.109	N.A.	N.A.	N.A.	N.A.	X	X

X - Size available for designated thickness

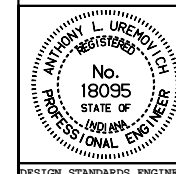
N.A. - Size not available for designated thickness

INDIANA DEPARTMENT OF TRANSPORTATION

SLOTTED DRAIN PIPE

JANUARY 1998

STANDARD DRAWING NO. **E 715-SLDR-02**



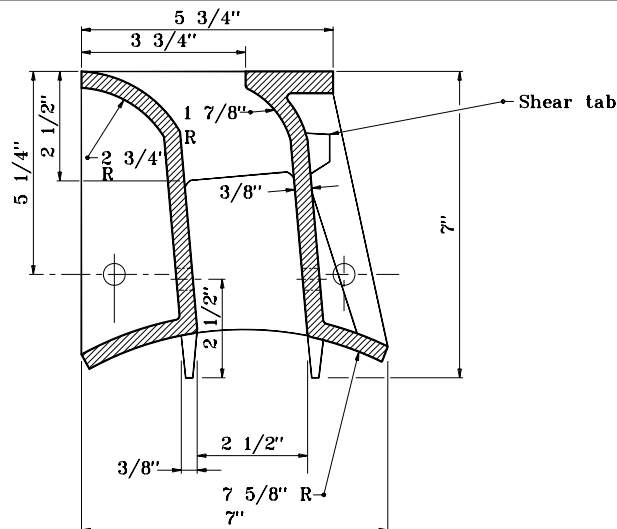
DETAILS PLACED IN THIS FORMAT 11-15-99

/s/ Anthony L. Uremovich 11-15-99
DESIGN STANDARDS ENGINEER DATE

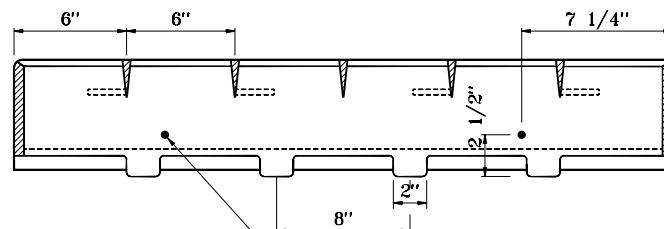
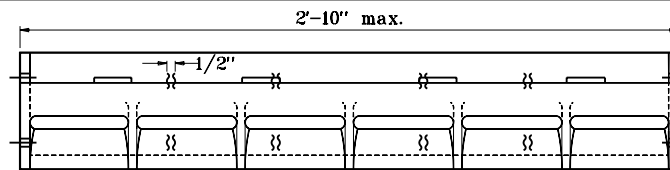
/s/ Firooz Zandi 11-15-99
CHIEF HIGHWAY ENGINEER DATE

DESIGN STANDARDS ENGINEER

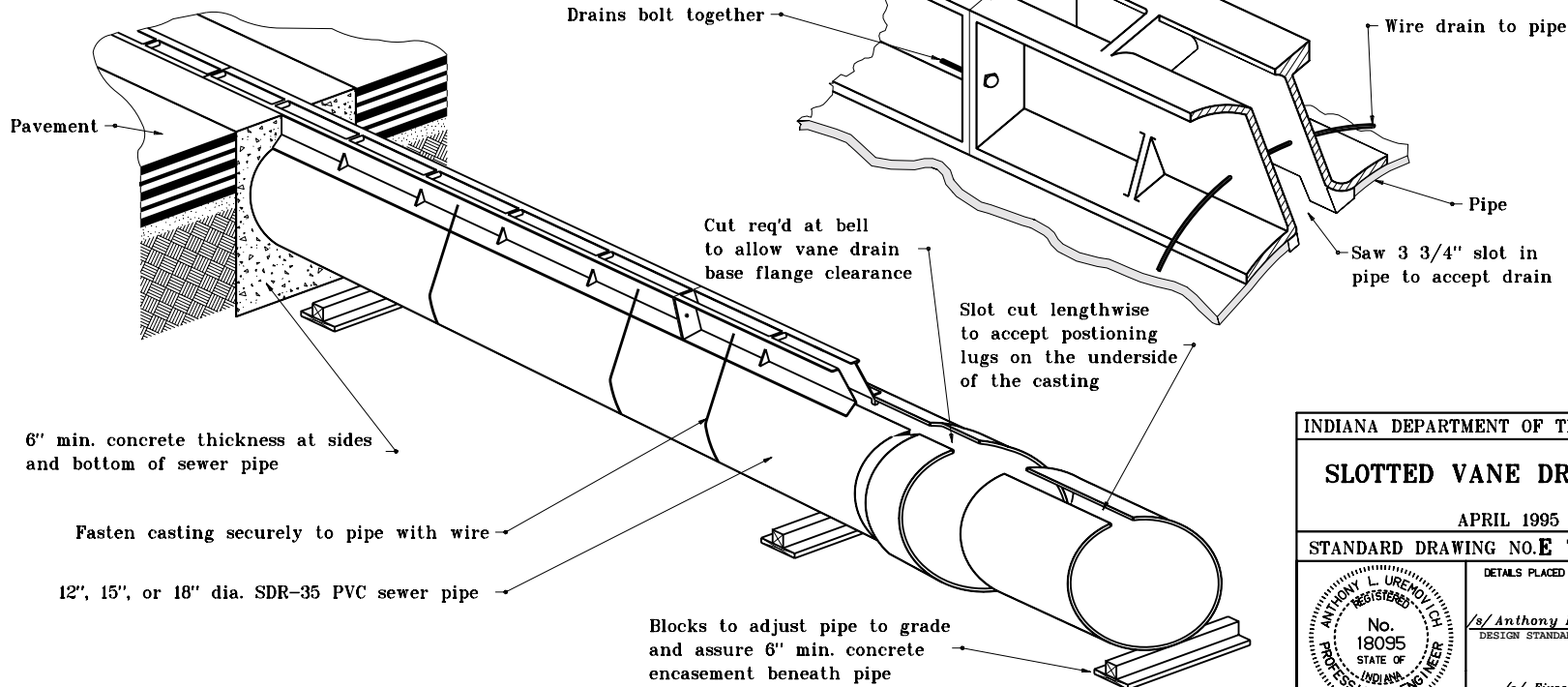
ORIGINALLY APPROVED 1-02-98



SECTION THROUGH VANE DRAIN



(4) 1/2" dia. cored holes



INDIANA DEPARTMENT OF TRANSPORTATION

SLOTTED VANE DRAIN PIPE

APRIL 1995

STANDARD DRAWING NO. **E 715-SLDR-03**

	DETAILS PLACED IN THIS FORMAT 11-15-99
	/s/ Anthony L. Uremovich 11-15-99 DESIGN STANDARDS ENGINEER DATE
/s/ Firooz Zandi 11-15-99 CHIEF HIGHWAY ENGINEER DATE	ORIGINALLY APPROVED 4-03-95