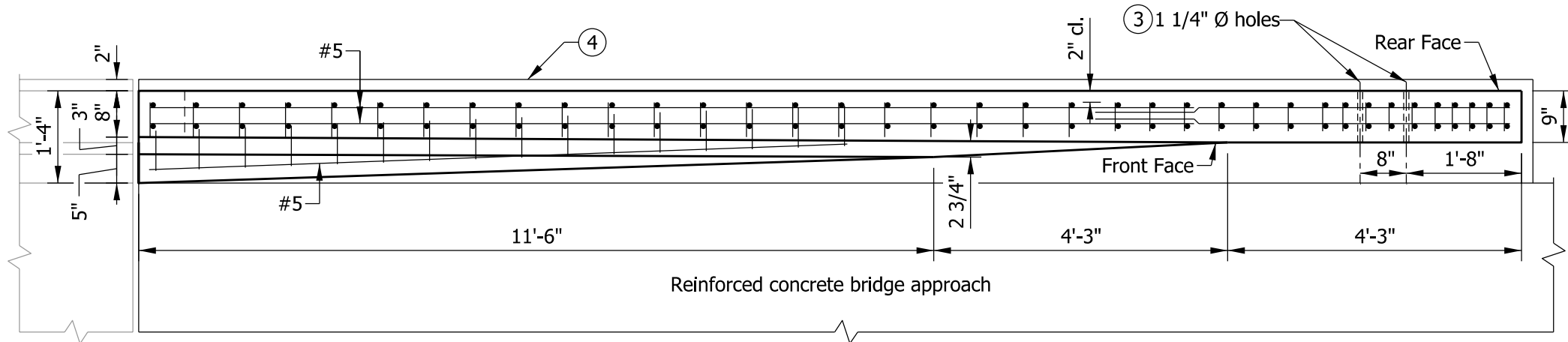


**ELEVATION**



**PLAN**

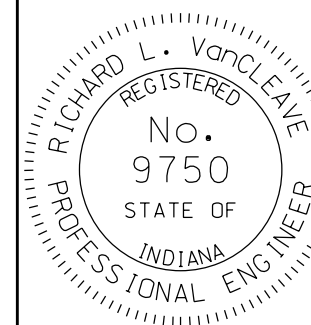
**NOTES**

1. See Standard Drawing E 706-TTFT-02 for sections.
2. See Standard Drawing E 706-TTFT-03 for reinforcing-bar diagrams and bill of materials.
- ③ Holes for attachment of guardrail transition type TGB. See Standard Drawing E 601-TTGB-01 for details.
- ④ RCBA extension for bridge railing transition type TFT. See Standard Drawing E 609-TBAE-02 for details.

INDIANA DEPARTMENT OF TRANSPORTATION

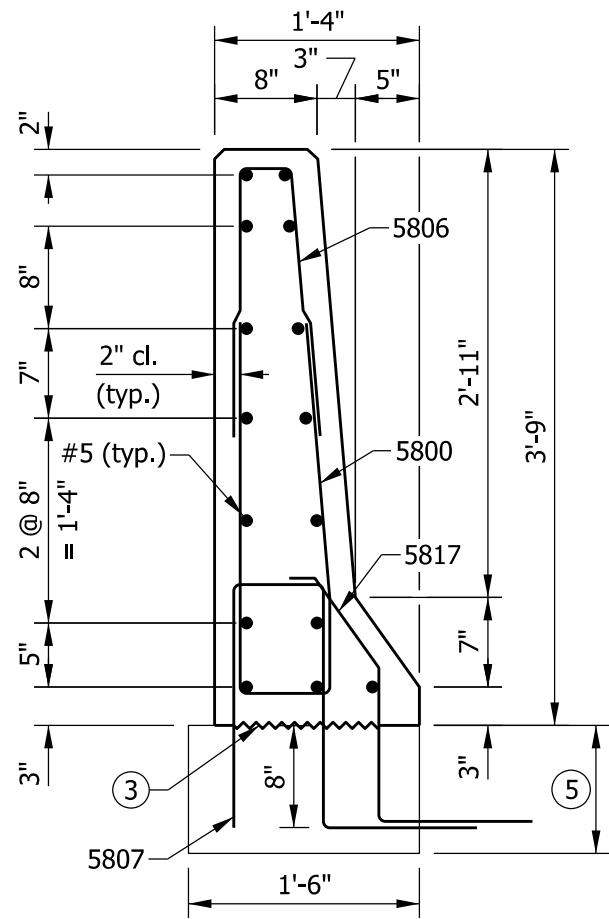
CONCRETE BRIDGE RAILING  
TRANSITION TFT  
PLAN AND ELEVATION  
SEPTEMBER 2012

STANDARD DRAWING NO. E 706-TTFT-01

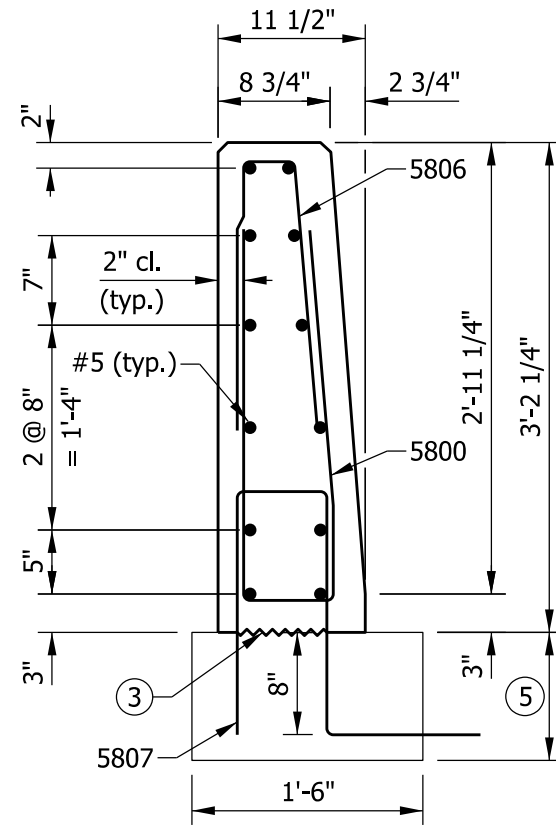


/s/ *Richard L. VanCleave* 09/04/12  
SUPERVISOR, ROADWAY STANDARDS DATE

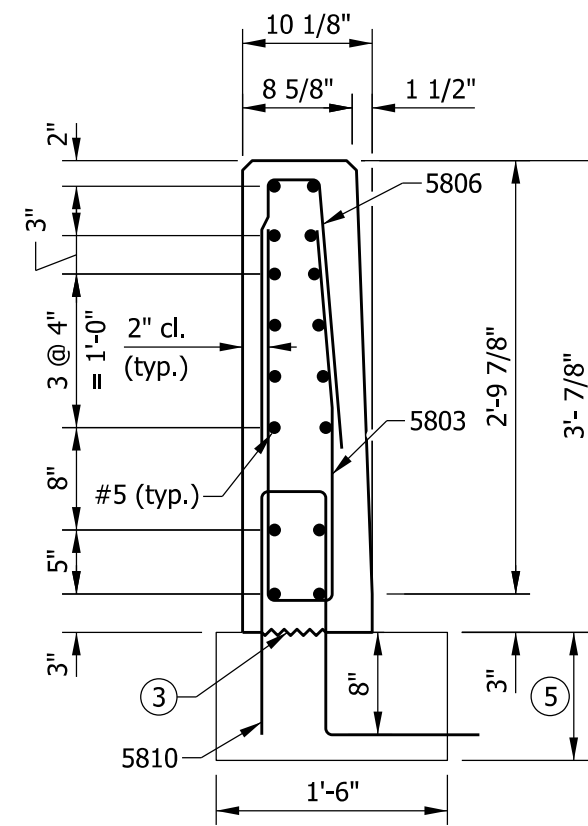
/s/ *Mark A. Miller* 09/04/12  
CHIEF ENGINEER DATE



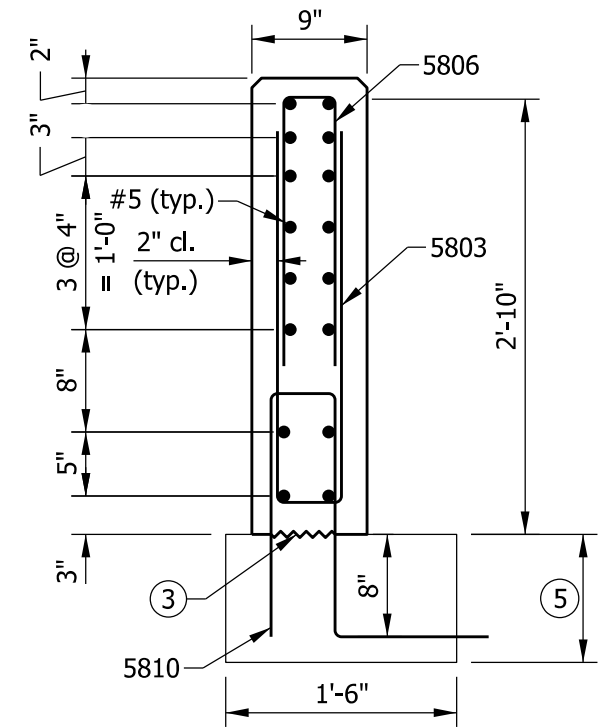
SECTION A-A



SECTION B-B



SECTION C-C



SECTION D-D

**NOTES**

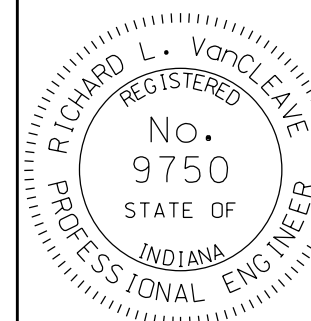
1. See Standard Drawing E 706-TTFT-01 for elevation and plan.
2. All chamfered edges shall be 3/4".
- ③ Construction joint type A. See Standard Drawing E 702-CJTA-01 for details.
4. See Standard Drawing E 706-TTFT-03 for reinforcing-bar diagrams.
- ⑤ RCBA extension for bridge railing transition type TFT. See Standard Drawing E 609-TBAE-02 for details.

INDIANA DEPARTMENT OF TRANSPORTATION

CONCRETE BRIDGE RAILING  
TRANSITION, TFT

SEPTEMBER 2012

STANDARD DRAWING NO. E 706-TTFT-02



/s/ *Richard L. VanCleave* 09/04/12

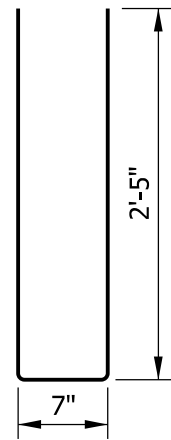
SUPERVISOR, ROADWAY STANDARDS DATE

/s/ *Mark A. Miller* 09/04/12

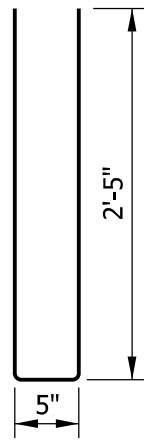
CHIEF ENGINEER DATE

**NOTE**

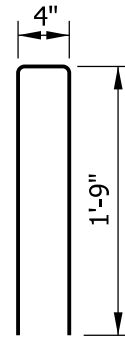
1. See Standard Drawing E 703-BRST-01 for reinforcing-bar bending details and notes.



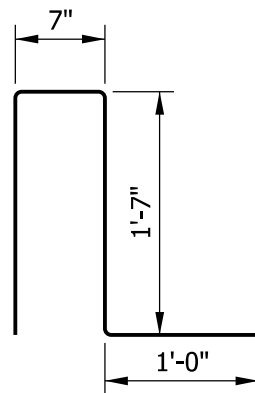
5800 x 5'-5"



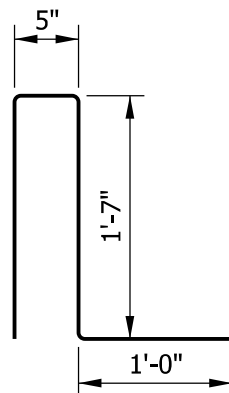
5803 x 5'-3"



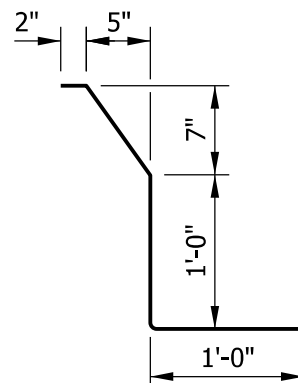
5806 x 3'-10"



5807 x 4'-9"



5810 x 4'-7"



5817 x 3'-0"

BILL OF MATERIALS			
Quantities are for one concrete bridge railing transition type TFT			
EPOXY-COATED REINFORCING STEEL			
MARK OR SIZE	NO. OF BARS	LENGTH	WEIGHT
5800	21	5'-5"	
5803	16	5'-3"	
5806	28	3'-10"	
5807	21	4'-9"	
5810	16	4'-7"	
5817	16	3'-0"	
#5	12	15'-1"	
#5	1	10'-1"	
#5	2	6'-8"	
#5	16	6'-0"	
Total Epoxy-Coated Reinforcing Steel			862 LBS
MISCELLANEOUS			
Concrete, Class C			2.0 CYS
Surface Seal			13.4 SYS

<b>INDIANA DEPARTMENT OF TRANSPORTATION</b>	
<b>CONCRETE BRIDGE RAILING TRANSITION TYPE TFT</b>	
<b>SEPTEMBER 2012</b>	
<b>STANDARD DRAWING NO.</b>	<b>E 706-TTFT-03</b>
	<i>/s/ Richard L. VanCleave</i> 09/04/12 SUPERVISOR, ROADWAY STANDARDS      DATE
	<i>/s/ Mark A. Miller</i> 09/04/12 CHIEF ENGINEER      DATE