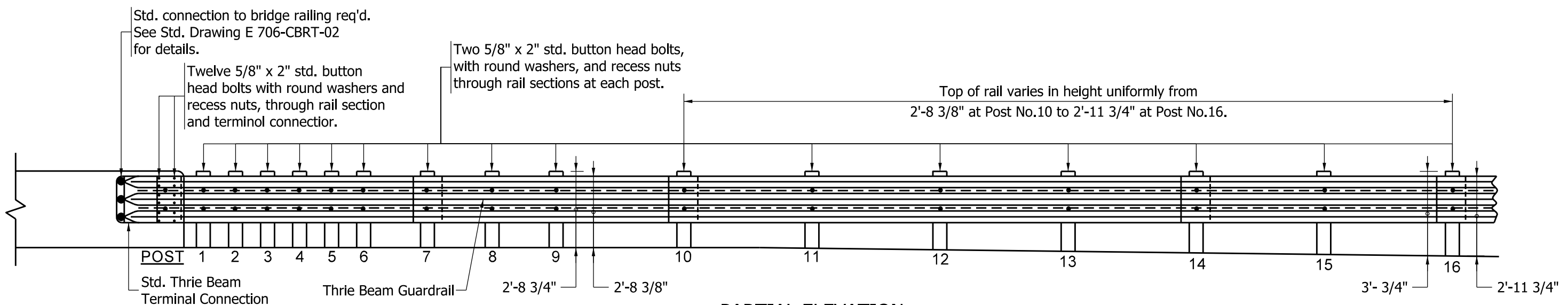


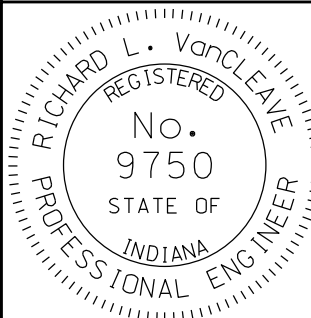
**PARTIAL PLAN**



**PARTIAL ELEVATION**

**NOTES:**

1. See Standard Drawings E 601-TTGB-01 and E 601-TTGB-03 for Thrie Beam Guardrail post and blockout details from bridge rail to Post No. 10.
2. See Standard Drawing E 601-TTGB-03 for Thrie Beam Guardrail post and blockout details with the exception of height above shoulder surface for Posts No. 11 through 16.

INDIANA DEPARTMENT OF TRANSPORTATION					
<b>THRIE BEAM GUARDRAIL TO THRIE BEAM GUARDRAIL TRANSITION, TTT SEPTEMBER 2011</b>					
STANDARD DRAWING NO. E 601-TMTT-01					
	<table style="width: 100%; border: none;"> <tr> <td style="border: none; padding: 2px 5px;">DESIGN STANDARDS ENGINEER</td> <td style="border: none; padding: 2px 5px;">DATE</td> </tr> <tr> <td style="border: none; padding: 2px 5px;">CHIEF HIGHWAY ENGINEER</td> <td style="border: none; padding: 2px 5px;">DATE</td> </tr> </table>	DESIGN STANDARDS ENGINEER	DATE	CHIEF HIGHWAY ENGINEER	DATE
DESIGN STANDARDS ENGINEER	DATE				
CHIEF HIGHWAY ENGINEER	DATE				
DESIGN STANDARDS ENGINEER					