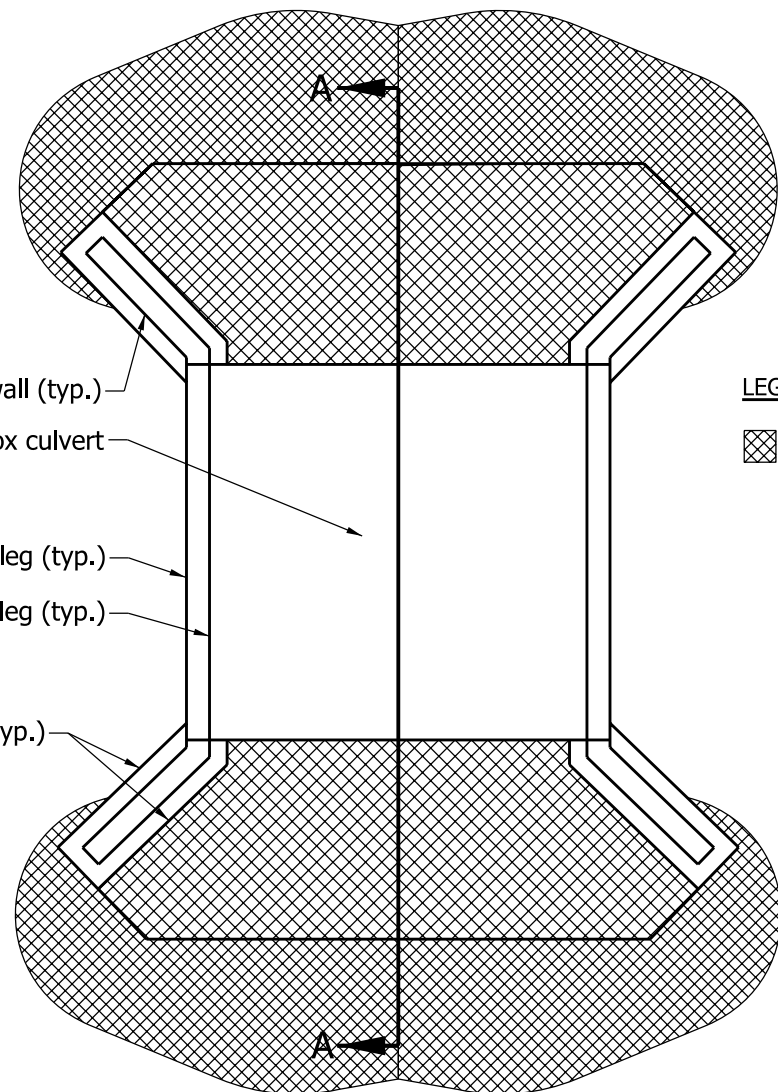

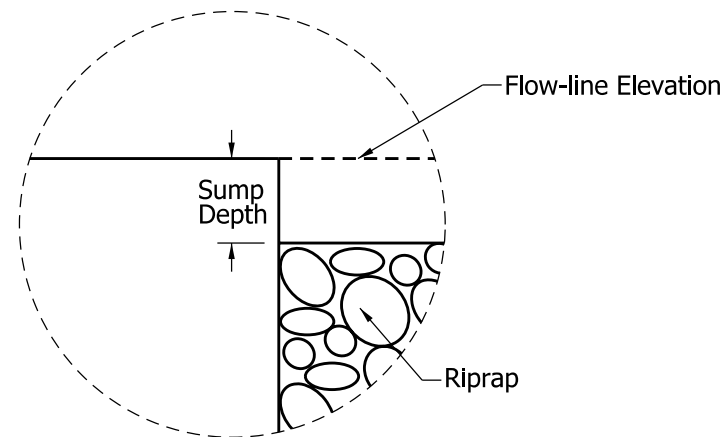


ELEVATION

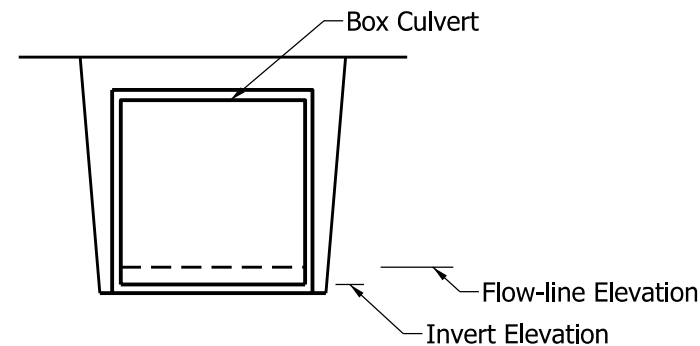


PLAN - WITH WINGWALLS

LEGEND:
 Riprap on geotextiles as shown on the plans.



DETAIL A



SECTION B-B

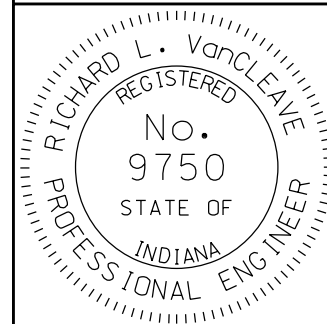
All Dimensions are in mm unless otherwise specified.

INDIANA DEPARTMENT OF TRANSPORTATION

BOX CULVERT SUMPING AND SCOUR PROTECTION

SEPTEMBER 2011

STANDARD DRAWING NO. 714-BCSP-01



DESIGN STANDARDS ENGINEER

/s/ Richard L. VanCleave 09/01/11
 DESIGN STANDARDS ENGINEER DATE

/s/ Mark A. Miller 09/01/11
 CHIEF HIGHWAY ENGINEER DATE