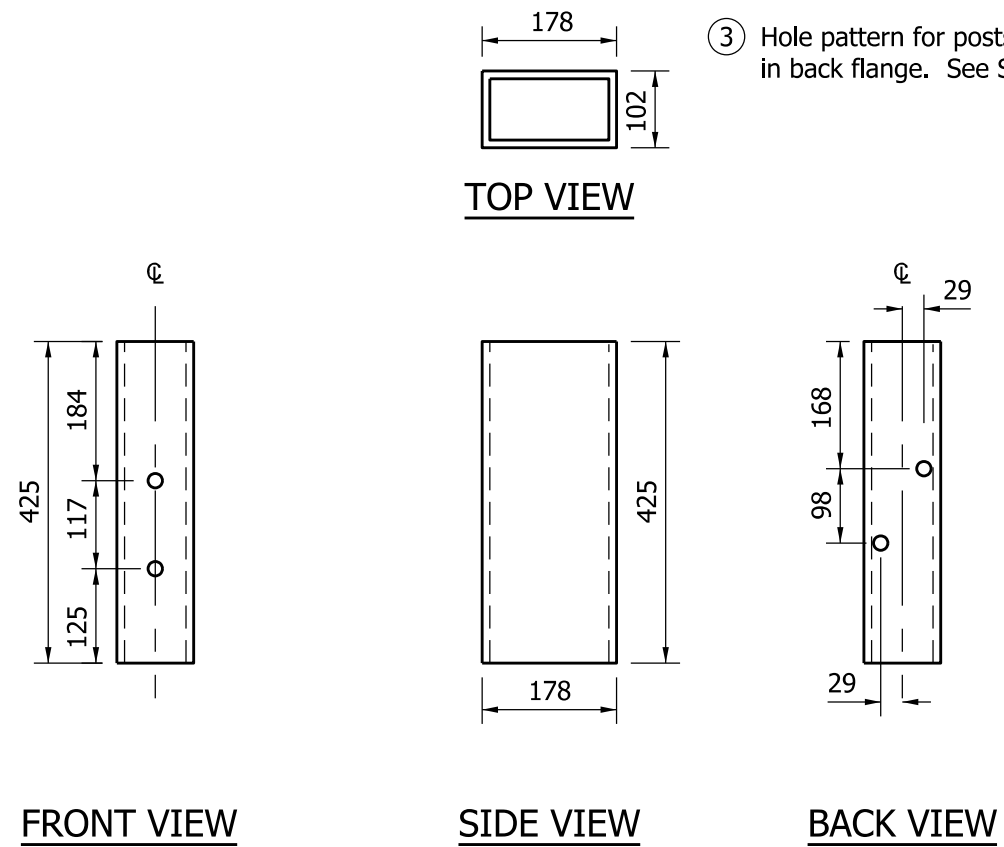


FRONT VIEW

SIDE VIEW

W 150 x 14 POST DETAILS



FRONT VIEW

SIDE VIEW

BACK VIEW

TOP VIEW

TS 178 x 102 x 4.8 BLOCK DETAILS

POST 8

NOTES:

1. All holes drilled or punched to 21 dia.
2. For post numbers see Standard Drawing 601-TTGB-01.
- ③ Hole pattern for posts numbers 1 thru 7 may be drilled in back flange. See Standard drawing 601-TTGB-03.

All Dimensions are in mm unless otherwise specified.

<b>INDIANA DEPARTMENT OF TRANSPORTATION</b>									
<b>GUARDRAIL TRANSITION TYPE TGB</b>									
<b>SEPTEMBER 2011</b>									
<b>STANDARD DRAWING NO.</b>	<b>601-TTGB-04</b>								
	<table style="width: 100%; border-collapse: collapse;"> <tr> <td style="width: 80%;"><i>/s/ Richard L. VanCleave</i></td> <td style="width: 20%; text-align: right;">09/01/11</td> </tr> <tr> <td>DESIGN STANDARDS ENGINEER</td> <td style="text-align: right;">DATE</td> </tr> <tr> <td><i>/s/ Mark A. Miller</i></td> <td style="text-align: right;">09/01/11</td> </tr> <tr> <td>CHIEF HIGHWAY ENGINEER</td> <td style="text-align: right;">DATE</td> </tr> </table>	<i>/s/ Richard L. VanCleave</i>	09/01/11	DESIGN STANDARDS ENGINEER	DATE	<i>/s/ Mark A. Miller</i>	09/01/11	CHIEF HIGHWAY ENGINEER	DATE
<i>/s/ Richard L. VanCleave</i>	09/01/11								
DESIGN STANDARDS ENGINEER	DATE								
<i>/s/ Mark A. Miller</i>	09/01/11								
CHIEF HIGHWAY ENGINEER	DATE								
DESIGN STANDARDS ENGINEER									