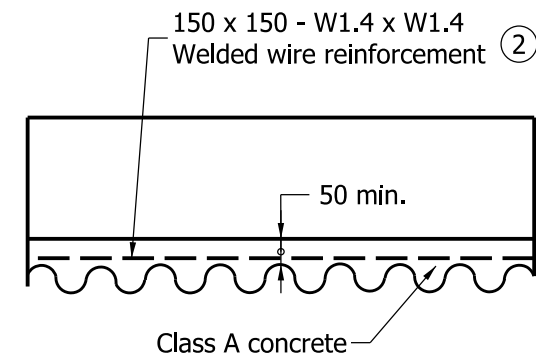


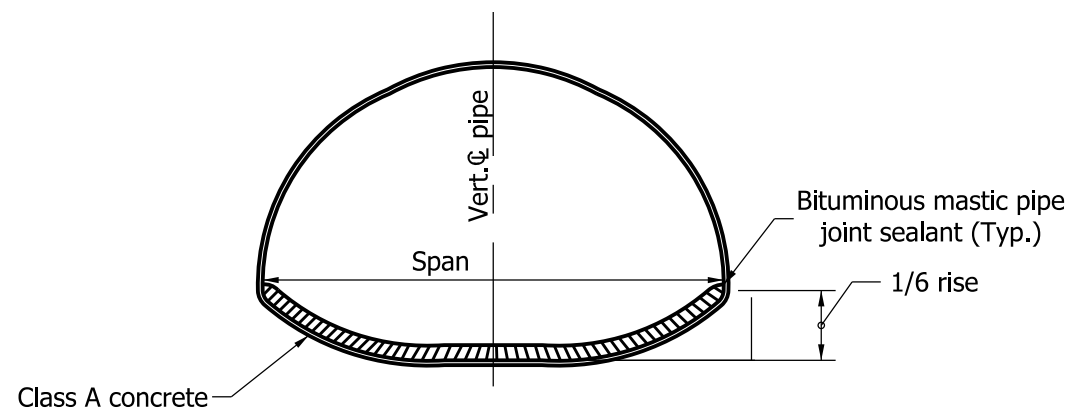
**STEEL PIPE-ARCH SECTIONS
END STABILIZATION OF 75 x 25 CORRUGATED** ①



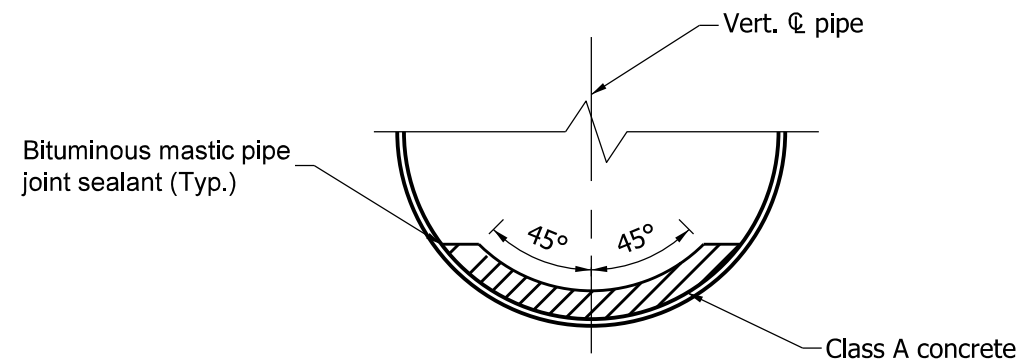
TYPICAL LONGITUDINAL SECTION

NOTES:

- ① In order to maintain their manufactured shape, all 75 x 25 corrugated steel pipe-arch sections shall have wire ties attached at each end as shown in the detail. The wire ties shall be attached across the largest vertical and horizontal dimension of the pipe-arch. The wire ties shall be installed by the manufacturer and shall remain in place until the on-site installation is complete.
- ② Welded wire reinforcement shall be wired to every second circumferential bolt and every twelfth longitudinal bolt.

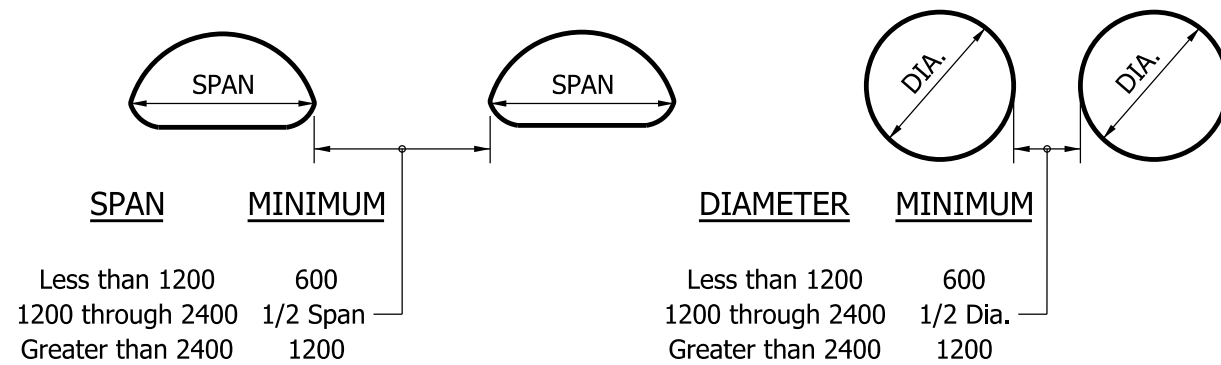


**STRUCTURAL PLATE
PIPE-ARCH CULVERT
ELEVATION**



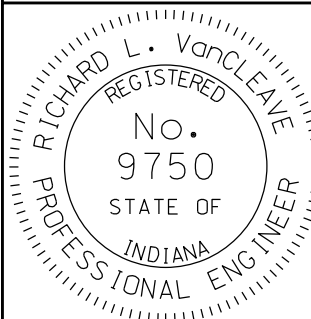
**STRUCTURAL PLATE
PIPE CULVERT**

CONCRETE FIELD PAVED INVERT DETAILS



MULTIPLE INSTALLATIONS

All Dimensions are in mm unless otherwise specified.

INDIANA DEPARTMENT OF TRANSPORTATION	
MISCELLANEOUS PIPE DETAILS	
SEPTEMBER 2010	
STANDARD DRAWING NO.	715-PIPE-02
	<i>/s/ Richard L. Vancleave</i> 09/01/10 DESIGN STANDARDS ENGINEER DATE
DESIGN STANDARDS ENGINEER	<i>/s/ Mark A. Miller</i> 09/01/10 CHIEF HIGHWAY ENGINEER DATE