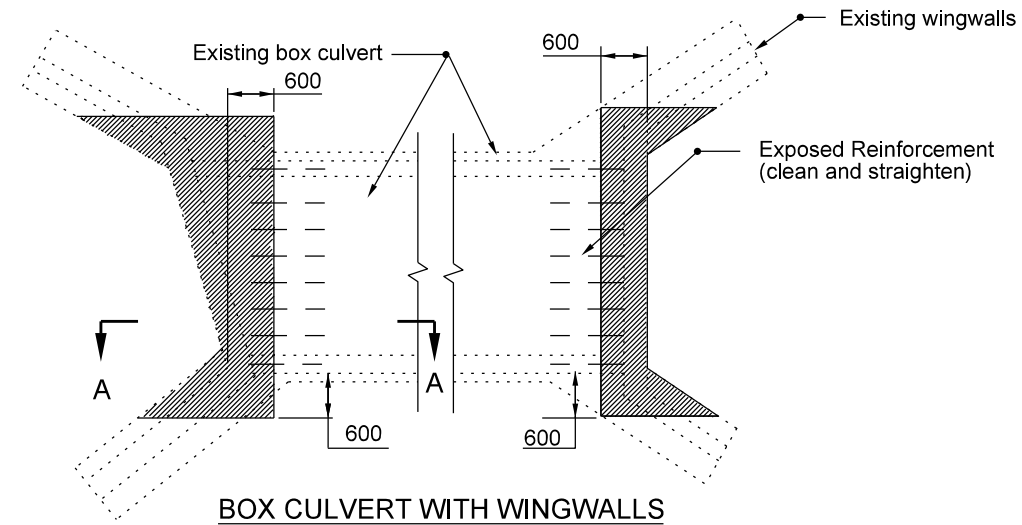
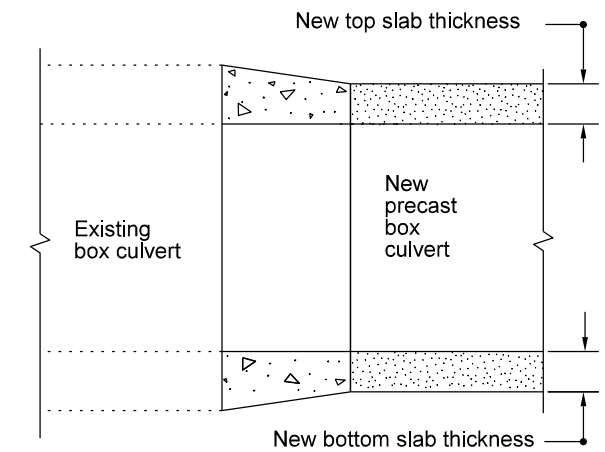


SECTION A-A CONNECTION VIEW



**BOX CULVERT WITH WINGWALLS
EXTENSION PREPARATION**



**SECTION A-A AND B-B
(Showing cast-in-place section)**

LEGEND :

- Removal
- Existing structure
- New element or structure

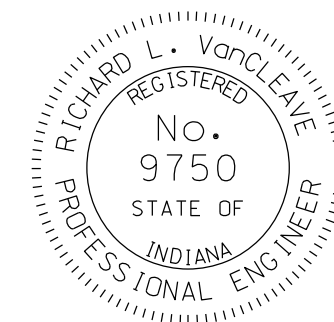
All Dimensions are in mm unless otherwise specified.

INDIANA DEPARTMENT OF TRANSPORTATION

PRECAST BOX-CULVERT EXTENSION

SEPTEMBER 2010

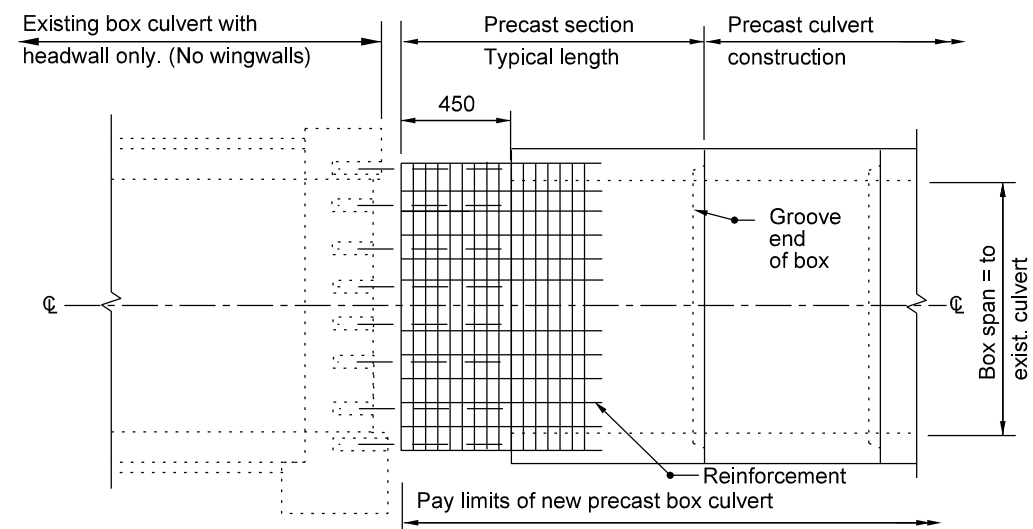
STANDARD DRAWING NO. 714-BCEX-01



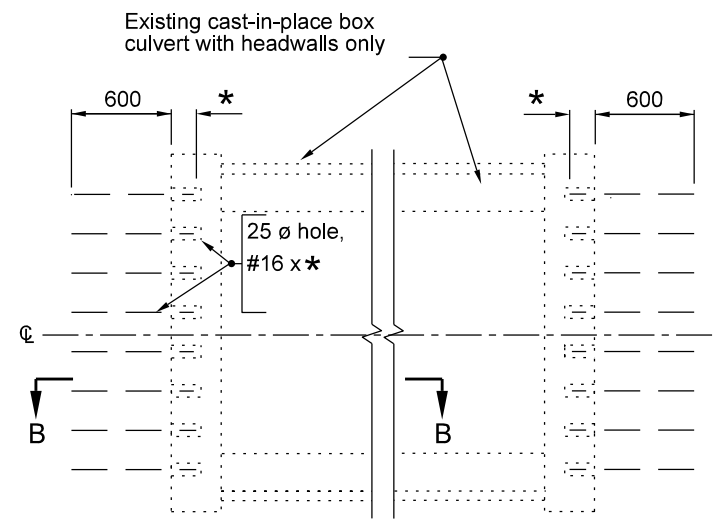
DESIGN STANDARDS ENGINEER

/s/ Richard L. VanCleave 09/01/10
DESIGN STANDARDS ENGINEER DATE

/s/ Mark A. Miller 09/01/10
CHIEF HIGHWAY ENGINEER DATE



SECTION B-B CONNECTION VIEW



**BOX CULVERT WITH HEADWALLS ONLY
EXTENSION PREPARATION**

* length determined by manufacturer of chemical anchor system