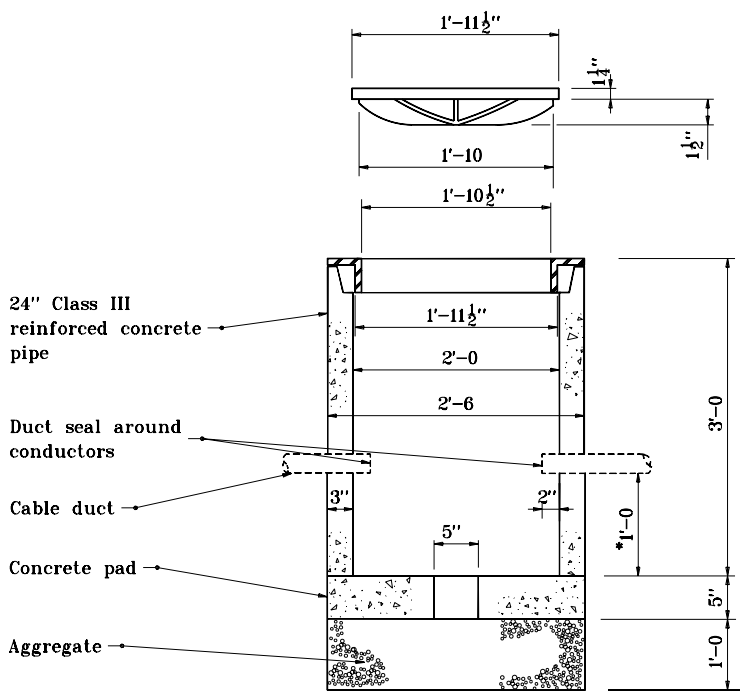


GENERAL NOTES

1. Alternate handhole minimum size shall be 1'-7 x 2'-6 x 1'-10 depth with 2 in. lid thickness.
2. Approximate weight for cast iron ring and cover shall be 320 lb.



CABLE DUCT ENTERING HANDHOLE

24" Class III reinforced concrete pipe
 Duct seal around conductors
 Cable duct
 Concrete pad
 Aggregate

* 4" min. for alternate handhole

STREET & ALLEY TYPE HANDHOLE

INDIANA DEPARTMENT OF TRANSPORTATION	
LIGHT HANDHOLE DETAILS	
MARCH 1995	
STANDARD DRAWING NO. E 807-LTHH-01	
	DETAILS PLACED IN THIS FORMAT 7-27-99
	/s/ Anthony L. Uremovich 7-27-99 DESIGN STANDARDS ENGINEER DATE
	/s/ Firooz Zandi 7-27-99 CHIEF HIGHWAY ENGINEER DATE
DESIGN STANDARDS ENGINEER	ORIGINALLY APPROVED 3-01-95