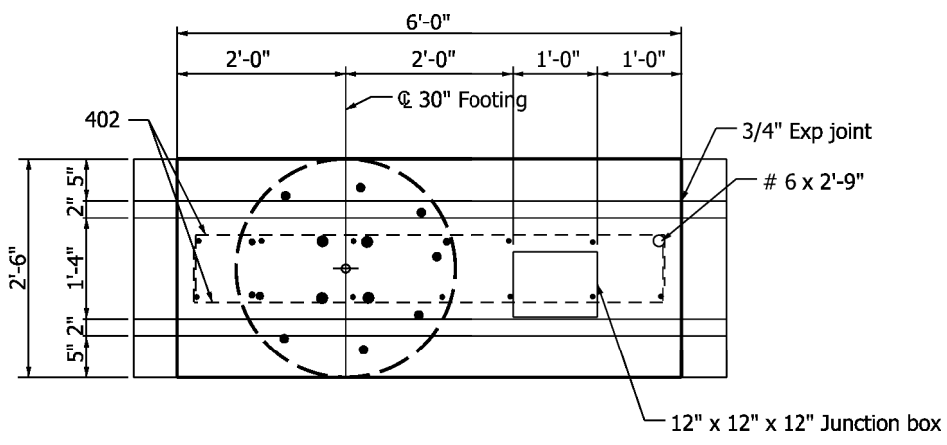
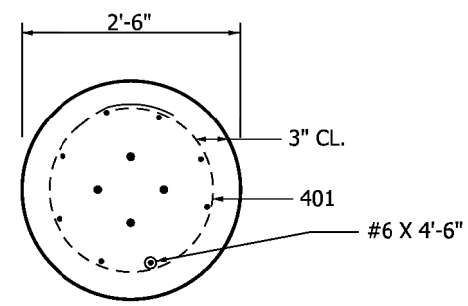
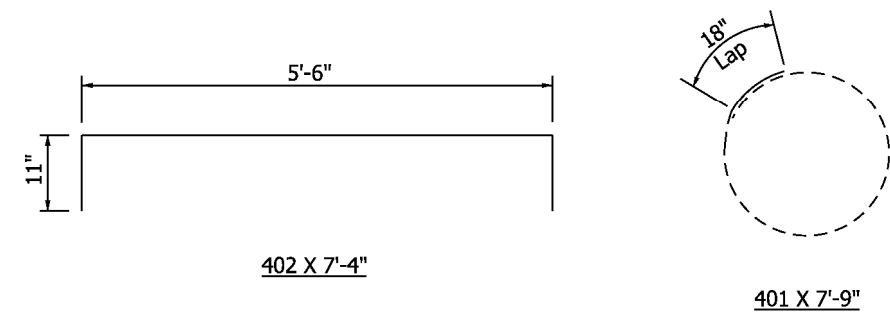


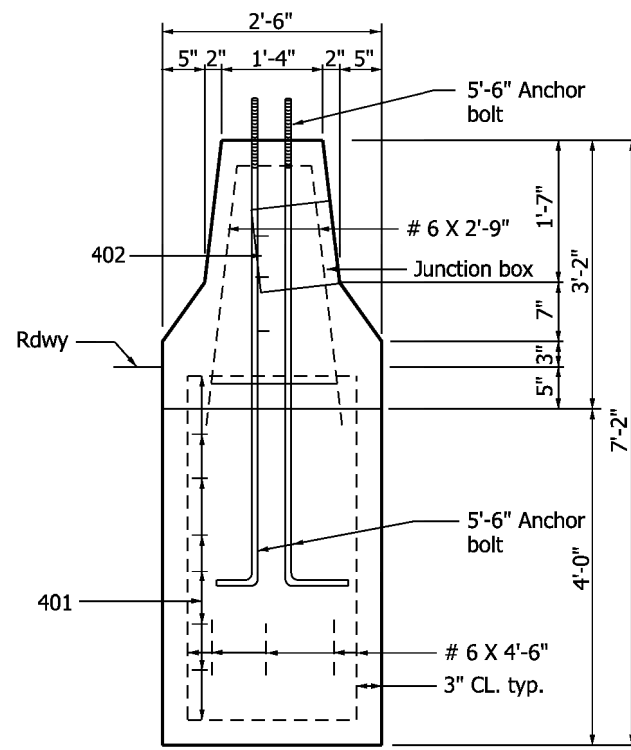
ELEVATION



PLAN



SECTION A-A



SECTION B-B

Notes:

1. The 2" galvanized steel conduit and junction box can be installed in the median shoulder. The junction box must be in front of the light foundation.
2. Field cut reinforcing bars to accommodate junction box.

INDIANA DEPARTMENT OF TRANSPORTATION	
CONVENTIONAL LIGHT FOUNDATION FOR 33" CONCRETE MEDIAN WALL INSTALLATION SEPTEMBER 2009	
STANDARD DRAWING NO.	E 807-LTFD-09
	<i>/s/ Richard L. VanCleave</i> 09/01/09 <small>DESIGN STANDARDS ENGINEER DATE</small>
	<i>/s/ Mark A. Miller</i> 09/01/09 <small>CHIEF HIGHWAY ENGINEER DATE</small>
<small>DESIGN STANDARDS ENGINEER</small>	