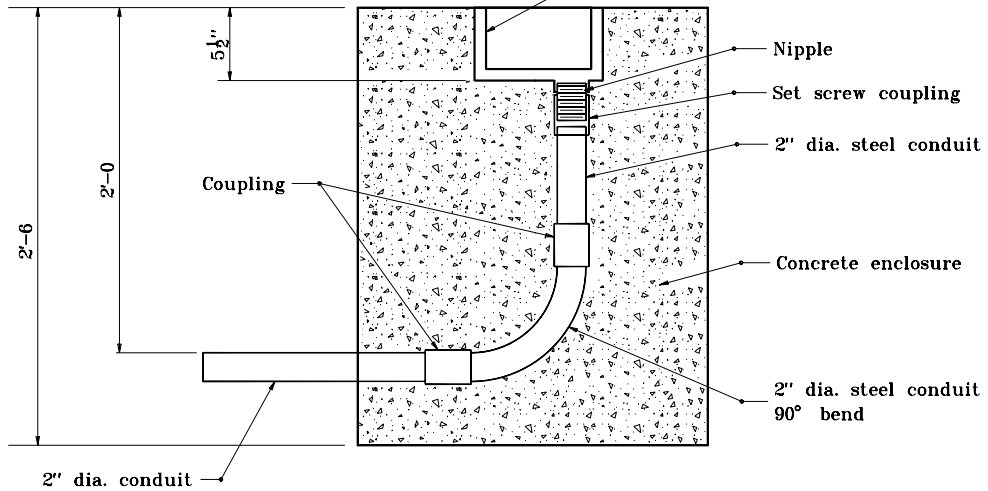


Concrete enclosure

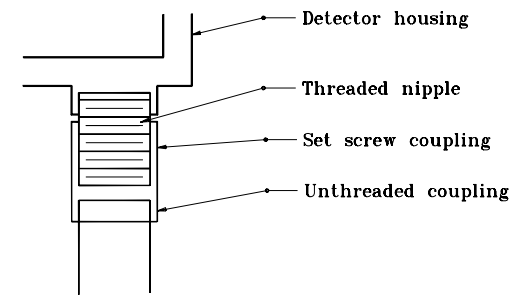
Detector housing ①



SECTION A-A

GENERAL NOTES

① See Standard Drawing E 805-SGDH-02 for detector housing detail.



**DETECTOR HOUSING
COUPLING DETAIL**

INDIANA DEPARTMENT OF TRANSPORTATION	
INSTALLATION DETAIL DETECTOR HOUSING	
SEPTEMBER 1998	
STANDARD DRAWING NO. E 805-SGDH-01	
	DETAILS PLACED IN THIS FORMAT 11-15-99
	/s/ <i>Anthony L. Uremovich</i> 11-15-99 DESIGN STANDARDS ENGINEER DATE
	/s/ <i>Firooz Zandi</i> 11-15-99 CHIEF HIGHWAY ENGINEER DATE
DESIGN STANDARDS ENGINEER	ORIGINALLY APPROVED 9-01-98