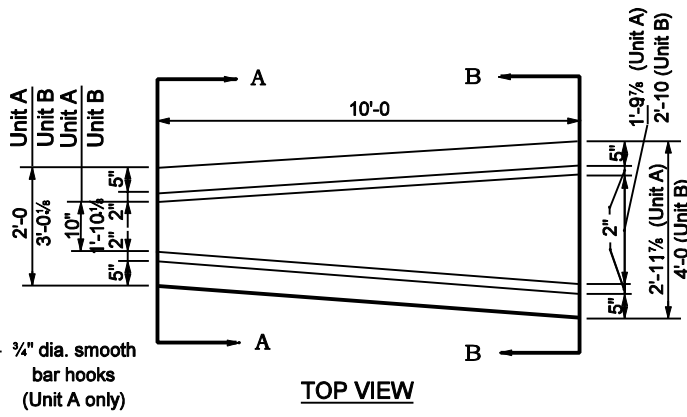
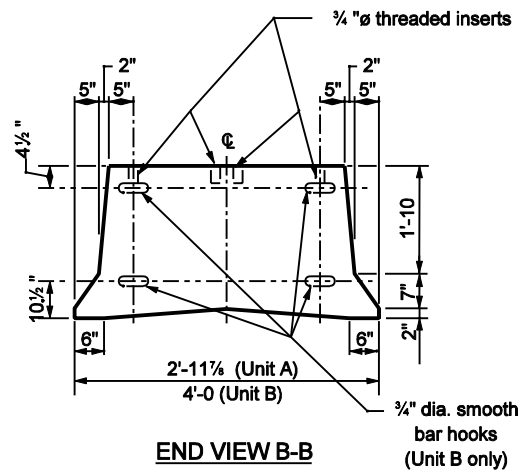


END VIEW A-A

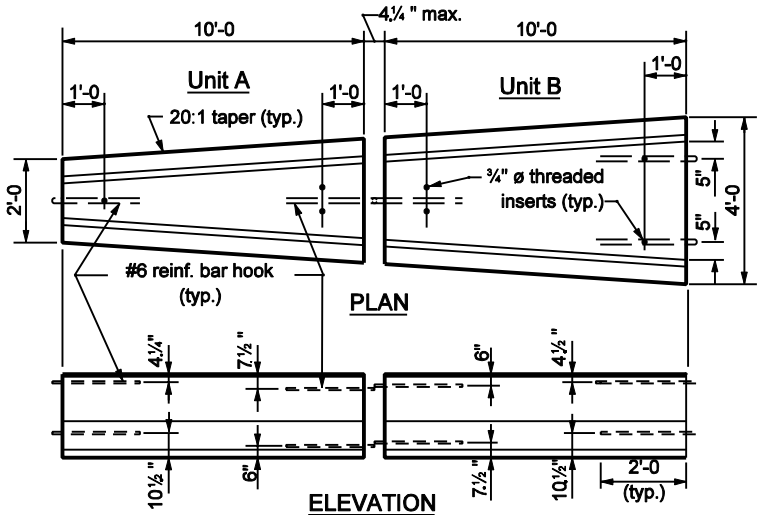


TOP VIEW
Unit A or Unit B



END VIEW B-B

DOUBLE TAPER END SECTION



DOUBLE TAPER END SECTION ASSEMBLY
(Showing location of inserts and bar hooks)

NOTES :

1. For connection details see Standard Drawing E 801-TCCB-02.
2. For details of barrier anchorage see Standard Drawing E 801-TCCB-04.
3. Extreme ends of the double taper end assembly require a 1 1/4 inch diameter bolt x 2'-3 1/2 inch (4 inch minimum thread, hex head and hex nut) for connecting to adjacent temporary concrete barriers.
4. For details of connection between Units A and B, see Standard Drawing E 801-TCCB-02.

INDIANA DEPARTMENT OF TRANSPORTATION	
TEMPORARY CONCRETE BARRIER DOUBLE TAPER END SECTION	
SEPTEMBER 2002	
STANDARD DRAWING NO. E 801-TCCB-03	
	/s/ Richard L. VanCleave 9-03-02 DESIGN STANDARDS ENGINEER DATE
	/s/ Richard K. Smutzer 9-03-02 CHIEF HIGHWAY ENGINEER DATE
DESIGN STANDARDS ENGINEER	