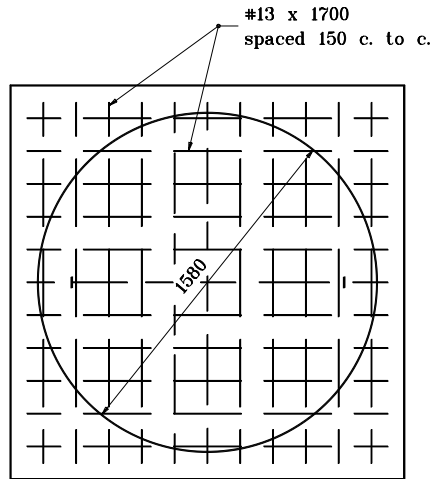
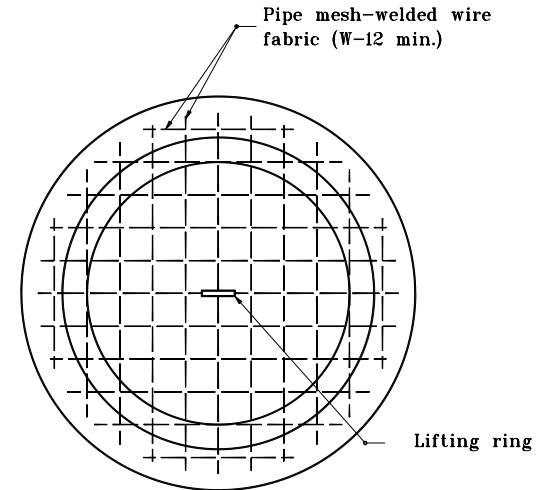


**ROUND**



**SQUARE**



**ROUND ALTERNATE**

All dimensions are in mm unless otherwise specified.

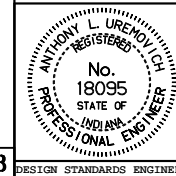
INDIANA DEPARTMENT OF TRANSPORTATION

**PRECAST MANHOLE**

**BOTTOM SECTION**

SEPTEMBER 1997

STANDARD DRAWING NO. 720-MHST-07



/s/ Anthony L. Uremovich 9-01-97  
DESIGN STANDARDS ENGINEER DATE

/s/ Donald W. Lucas 9-01-97  
CHIEF HIGHWAY ENGINEER DATE

Source Sheet: MD3