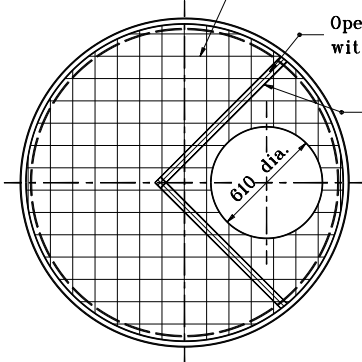


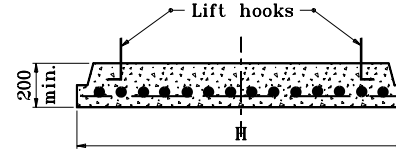
Min. steel area $250 \text{ mm}^2/\text{m}$ of width in both directions.

Opening additionally reinforced with equivalent of $430 \text{ mm}^2/\text{m} @ 90^\circ$

Straight rods, min length = dia. of opening plus 50.

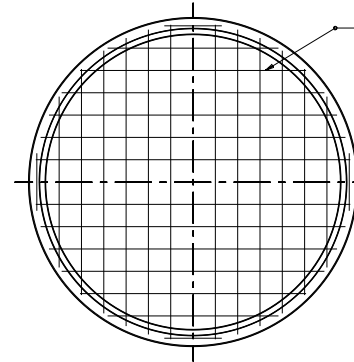


DETAIL A
COVER CAP FOR PRECAST CONCRETE MANHOLE SECTION

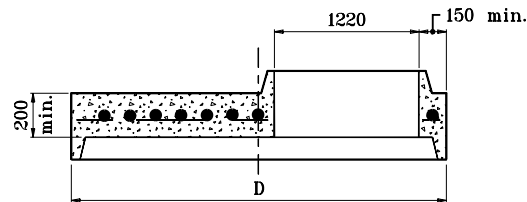


Section Dia.	H
1530	1830
1830	2190
2440	2900
2590	3080
2740	3250

Min. steel area $250 \text{ mm}^2/\text{m}$ of width in both directions.
Rebar or wire mesh equivalent.



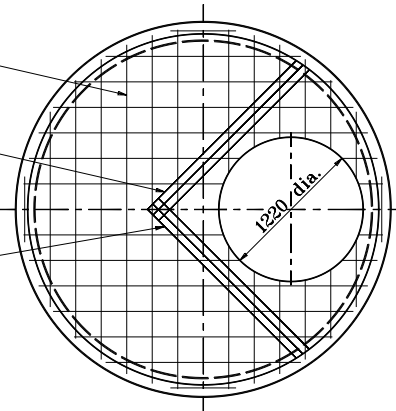
DETAIL C
BASE FOR PRECAST CONCRETE MANHOLE SECTIONS (1500 to 2700 DIA.)



Min. steel area $250 \text{ mm}^2/\text{m}$ of width in both directions.

Opening additionally reinforced with equivalent of $430 \text{ mm}^2/\text{m} @ 90^\circ$

Straight rods, min length = dia. of opening plus 50.



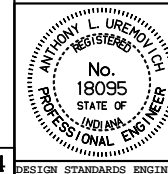
DETAIL B
REDUCER CAP FOR PRECAST MANHOLE SECTIONS (1500 to 2700 DIA.)

Section Dia.	D
1530	1830
1830	2190
2440	2900
2590	3080
2740	3250

All dimensions are in mm unless otherwise specified.

INDIANA DEPARTMENT OF TRANSPORTATION
PRECAST CONCRETE MANHOLE SECTIONS
APRIL 1995

STANDARD DRAWING NO. **720-MHST-06**



/s/ Anthony L. Uremovich 4/03/95
DESIGN STANDARDS ENGINEER DATE

/s/ Donald W. Lucas 4/03/95
CHIEF HIGHWAY ENGINEER DATE

Source Sheet: **MD4**