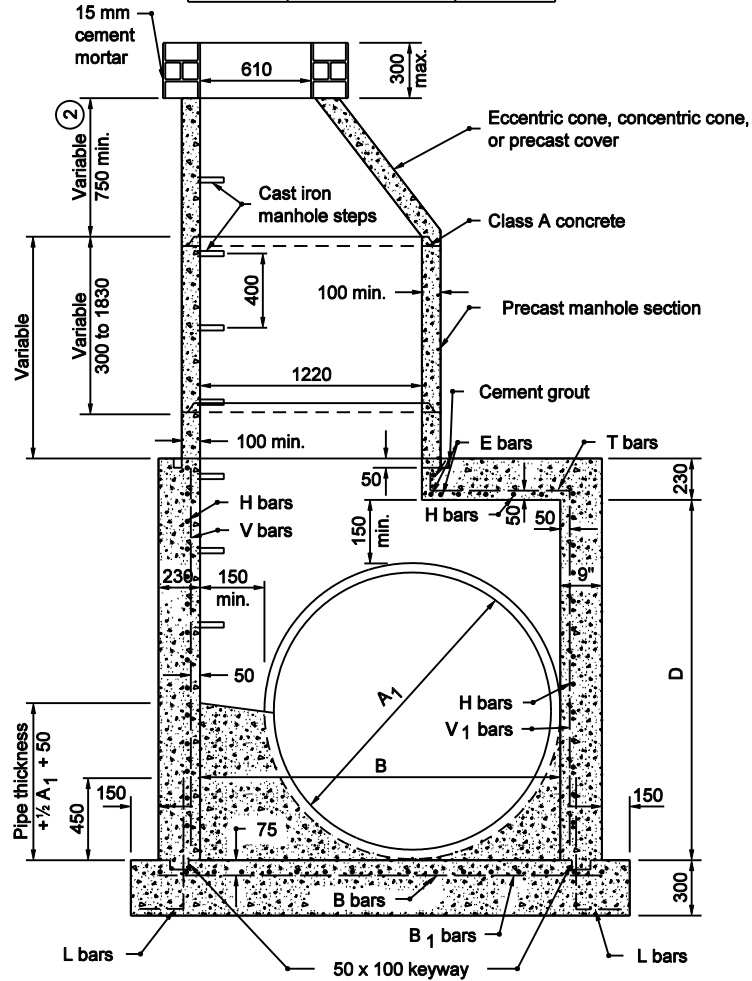


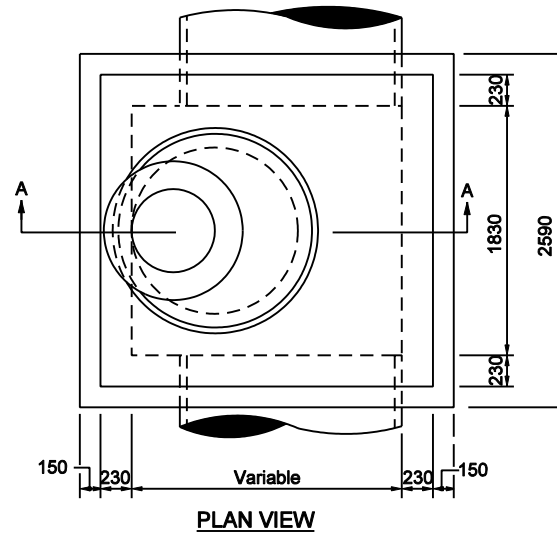
MANHOLE DIMENSIONS		
TYPE	A-1 PIPE SIZE DIA. (in)	B AND D
D	675 to 1050	1450
E	1200 to 1500	1980
F	1650 to 2100	2690
G	2250 to 2700	3400



SECTION A-A

NOTES

1. Manhole type H, J, K, L, M, or N, may be substituted for manholes type C, D, E or F for comparable pipe sizes. See Standard Drawing 720-MHST-05 for manholes type H, J, K, L, M, and N details.
2. For eccentric and concentric cone heights see Cone Heights Table on Standard Drawing E 720-MHST-08.
3. See Standard Drawing E 720-MHST-10 for Reinforcing Steel for Manholes table.



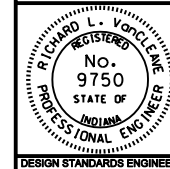
PLAN VIEW

All Dimension are in mm unless otherwise specified

INDIANA DEPARTMENT OF TRANSPORTATION

MANHOLES
TYPE D, E, F, AND G
 SEPTEMBER 2003

STANDARD DRAWING NO. 720-MHST-04



/s/ Richard L. VanCleave 9-02-03
 DESIGN STANDARDS ENGINEER DATE

/s/ Richard K. Smutzer 9-02-03
 CHIEF HIGHWAY ENGINEER DATE

DESIGN STANDARDS ENGINEER