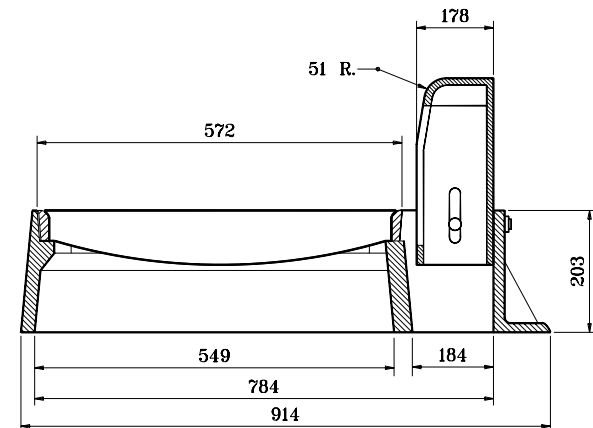
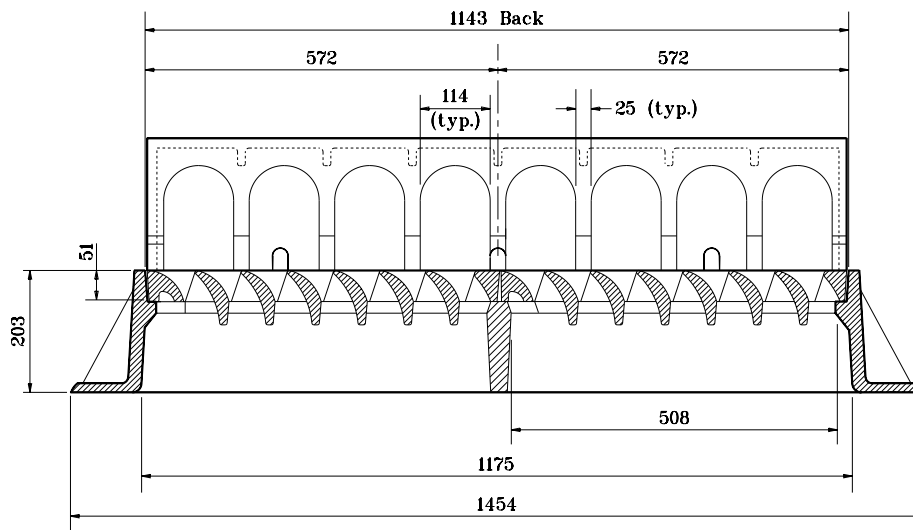


GENERAL NOTES

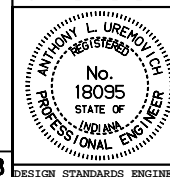
1. Curb adjustment 140 to 241



All dimensions are in mm unless otherwise specified.

INDIANA DEPARTMENT OF TRANSPORTATION
CASTING TYPE 15 (ALTERNATE)
FRAME, GRATE, AND CURB BOX
 SEPTEMBER 1998

STANDARD DRAWING NO. **720-ICCA-19**



/s/ Anthony L. Uremovich 9-01-98
 DESIGN STANDARDS ENGINEER DATE

/s/ Donald W. Lucas 9-01-98
 CHIEF HIGHWAY ENGINEER DATE

Source Sheet: **MC3**