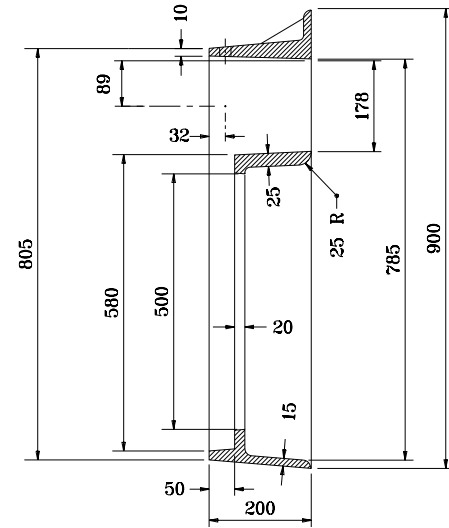
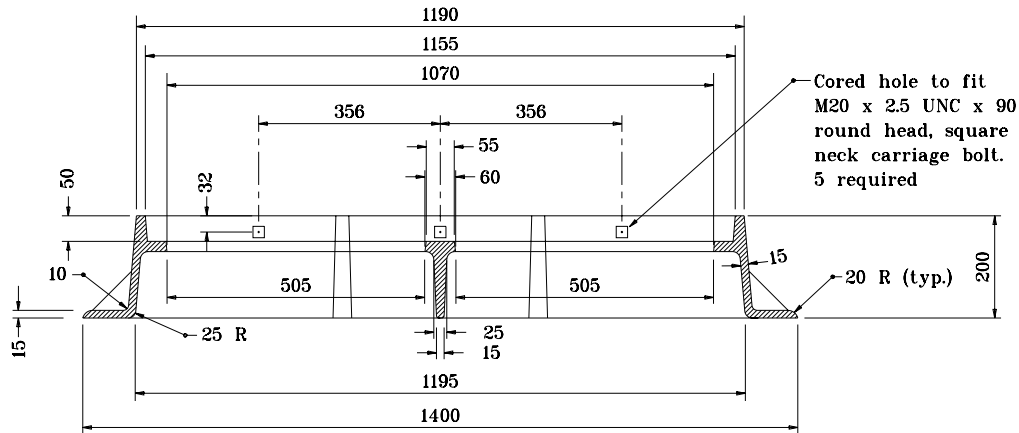


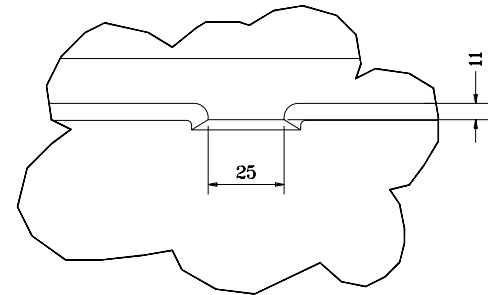
**PLAN**



**SECTION B-B**



**SECTION A-A**



**DETAIL A**

All dimensions are in mm unless otherwise specified.

|                                      |  |
|--------------------------------------|--|
| INDIANA DEPARTMENT OF TRANSPORTATION |  |
| CASTING TYPE 15                      |  |
| FRAME                                |  |
| SEPTEMBER 1998                       |  |
| STANDARD DRAWING NO. 720-ICCA-16     |  |
|                                      | /s/ Anthony L. Uremovich 9-01-98<br>DESIGN STANDARDS ENGINEER DATE |
|                                      | /s/ Donald W. Lucas 9-01-98<br>CHIEF HIGHWAY ENGINEER DATE         |

Source Sheet: MC2