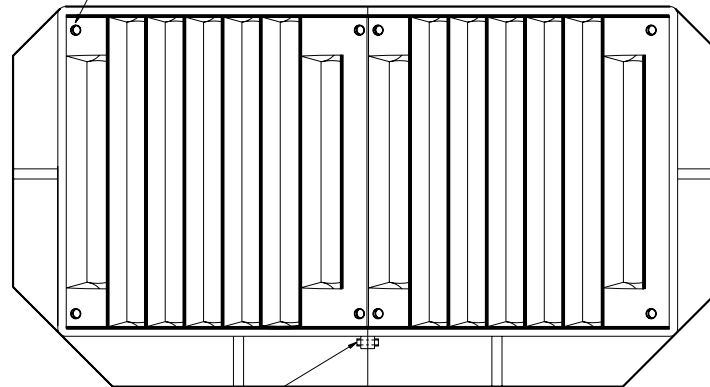
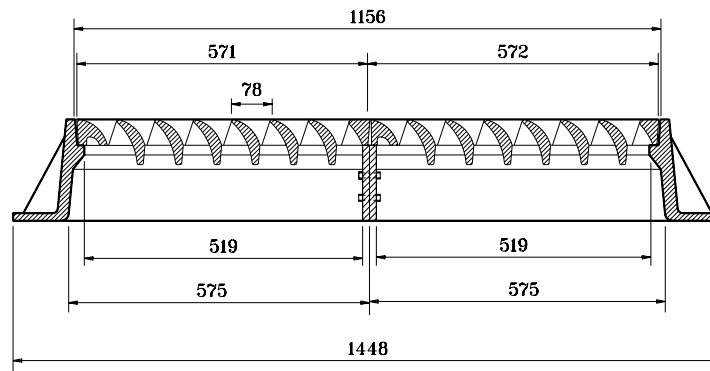
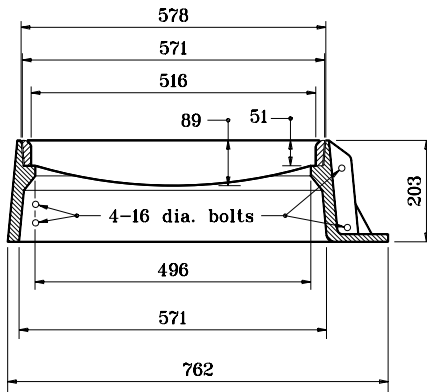


Grate is bolted to frame with 14 hex head SS bolts. 4 req'd. each grate.

**BARRIER SIDE**



4-16 dia. bolts ← Left hand flow →



**FRAME AND GRATE  
CASTING TYPE 5 (ALTERNATE)**

All dimensions are in mm unless otherwise specified.

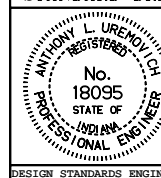
INDIANA DEPARTMENT OF TRANSPORTATION

**CASTING TYPE 5 (ALTERNATE)**

**FRAME AND GRATE**

SEPTEMBER 2001

STANDARD DRAWING NO. **720-ICCA-03**



/s/ Anthony L. Uremovich 9-04-01  
DESIGN STANDARDS ENGINEER DATE

/s/ Firooz Zandi 9-04-01  
CHIEF HIGHWAY ENGINEER DATE

DESIGN STANDARDS ENGINEER