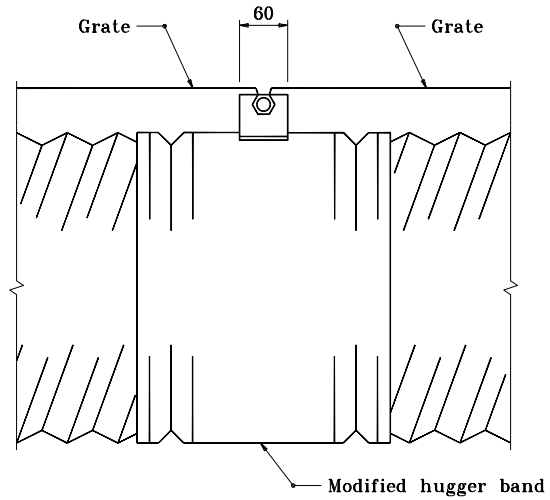
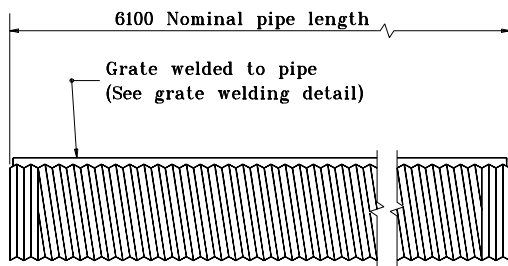


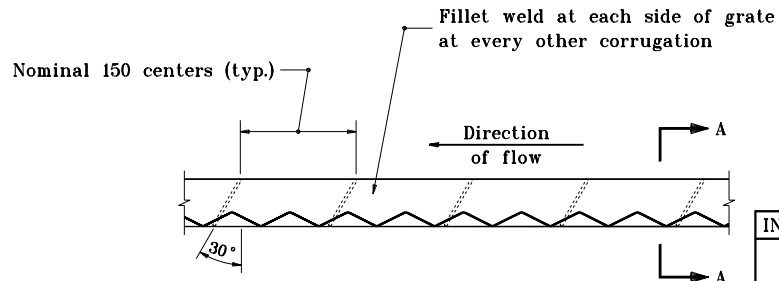
**MODIFIED HUGGER BAND  
TOP VIEW**



**MODIFIED HUGGER BAND  
SIDE VIEW**



**TYPICAL PIPE SECTION**



**GRATE WELDING DETAIL**

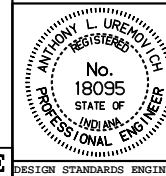
All dimensions are in mm unless otherwise specified.

INDIANA DEPARTMENT OF TRANSPORTATION

**SLOTTED DRAIN PIPE**

APRIL 1995

STANDARD DRAWING NO. 715-SLDR-01



/s/ Anthony L. Uremovich 4-03-95  
DESIGN STANDARDS ENGINEER DATE

/s/ Donald W. Lucas 4-03-95  
CHIEF HIGHWAY ENGINEER DATE

Source Sheet: NONE