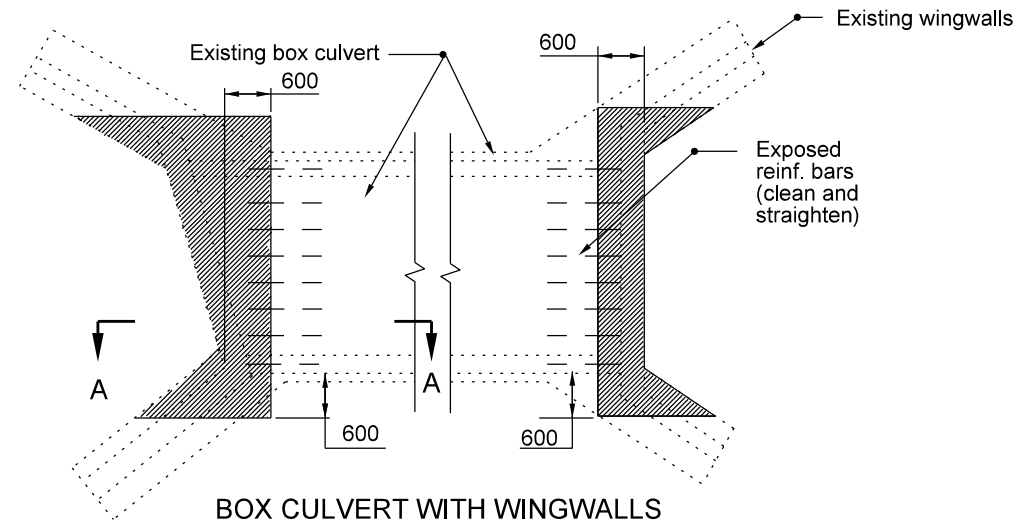
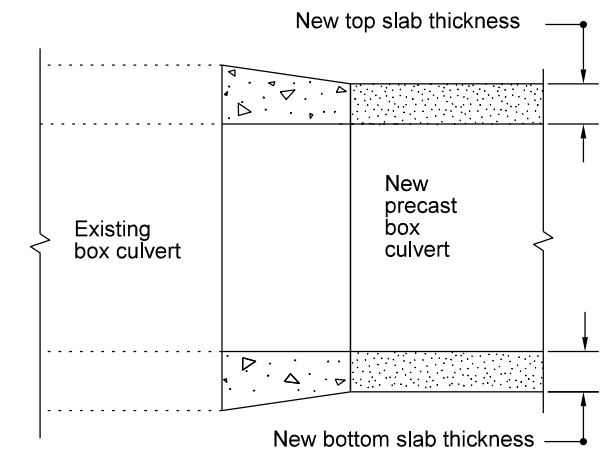


SECTION A-A CONNECTION VIEW



BOX CULVERT WITH WINGWALLS  
EXTENSION PREPARATION



SECTION A-A AND B-B  
(Showing cast-in-place section)

LEGEND :

- Removal
- Existing structure
- New element or structure

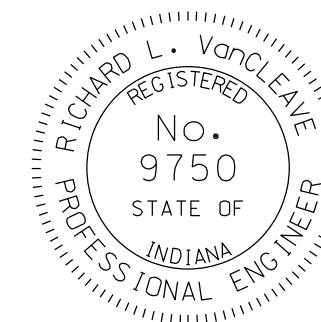
All Dimensions are in mm unless otherwise specified.

INDIANA DEPARTMENT OF TRANSPORTATION

PRECAST BOX-CULVERT EXTENSION

SEPTEMBER 2009

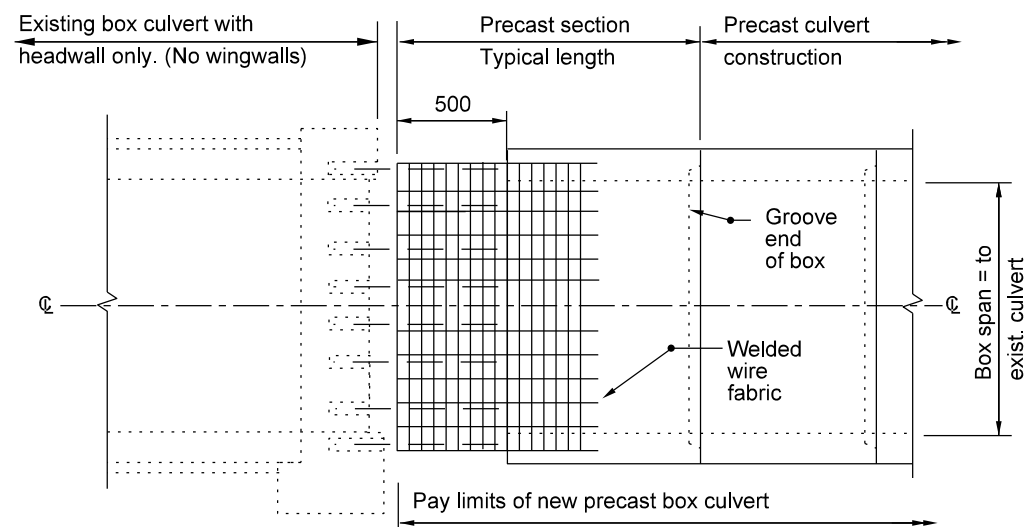
STANDARD DRAWING NO. 714-BCEX-01



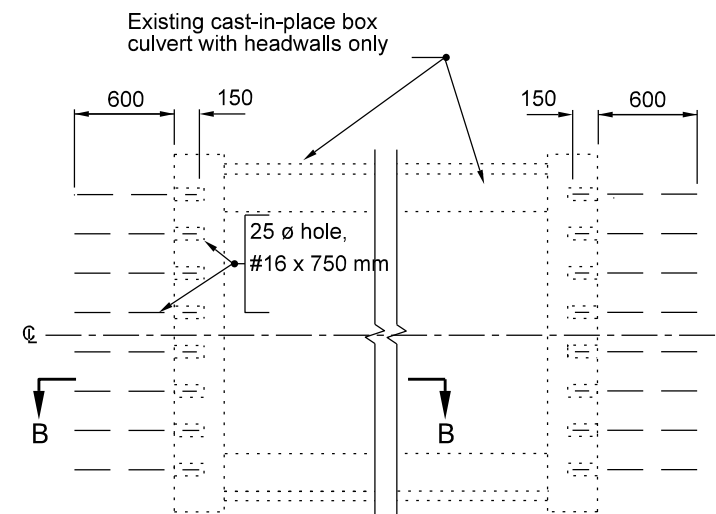
DESIGN STANDARDS ENGINEER

*/s/ Richard L. VanCleave* 09/01/09  
DESIGN STANDARDS ENGINEER DATE

*/s/ Mark A. Miller* 09/01/09  
CHIEF HIGHWAY ENGINEER DATE



SECTION B-B CONNECTION VIEW



BOX CULVERT WITH HEADWALLS ONLY  
EXTENSION PREPARATION