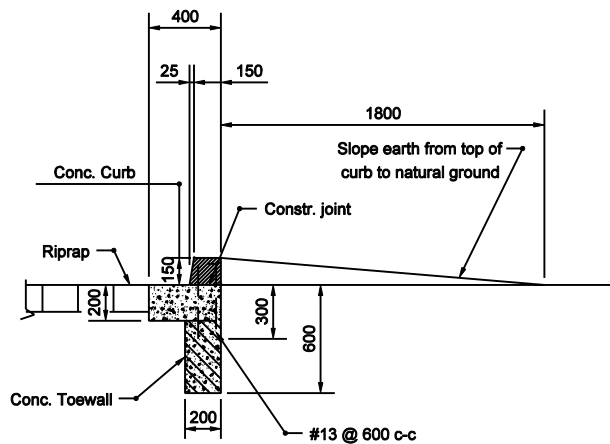
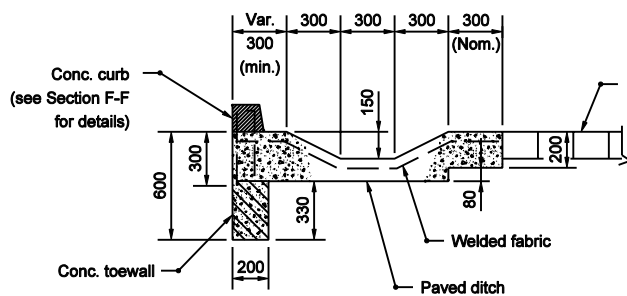


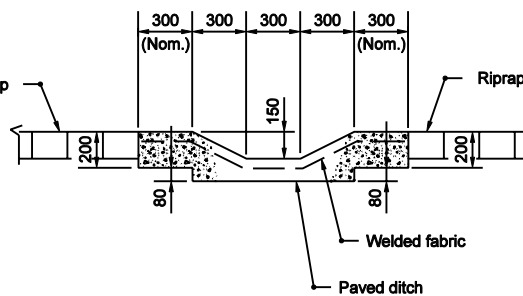
SECTION D-D



SECTION F-F



SECTION E-E
Where riprap terminates
600 outside of coping line



SECTION E-E
Where riprap terminates more
than 600 outside of coping line

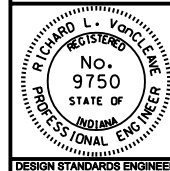
All Dimension are in mm unless otherwise specified

INDIANA DEPARTMENT OF TRANSPORTATION

RIPRAP SLOPEWALL DETAILS

SEPTEMBER 2003

STANDARD DRAWING NO. 616-SWRR-01



/s/ Richard L. VanCleave 9-02-03
DESIGN STANDARDS ENGINEER DATE

/s/ Richard K. Smutzer 9-02-03
CHIEF HIGHWAY ENGINEER DATE

DESIGN STANDARDS ENGINEER