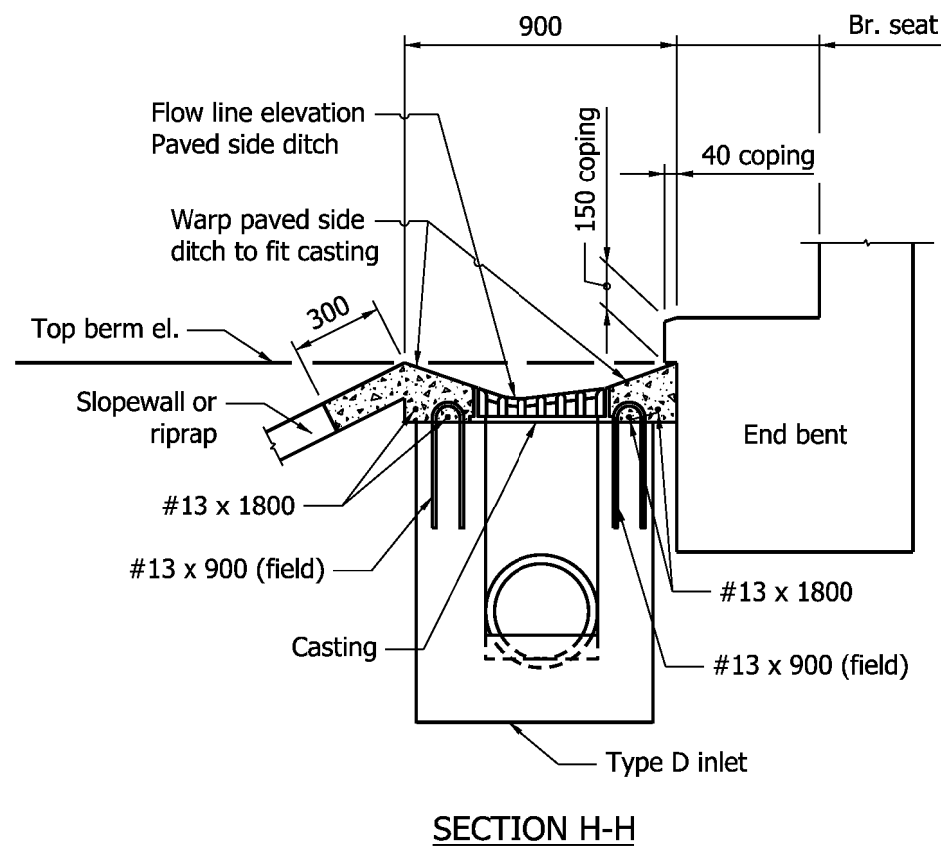


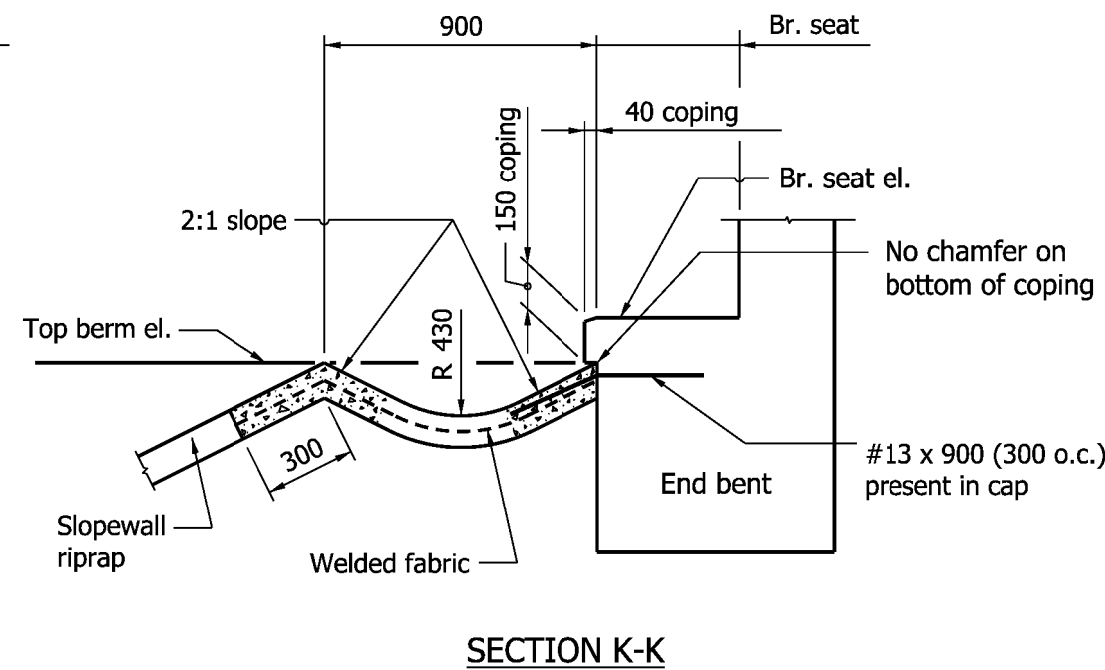
PLAN  
(to be used on structures with berms)

NOTES

1. Precast concrete riprap may be used as an alternate to concrete slopewall only on those structures having berms adjacent to caps.
2. For additional details of type D inlet, see Standard Drawing 720-INST-03.
3. For appropriate casting, see Standard Drawing 720-CDSC-01.
4. Welded fabric shall be placed within the middle third of slopewall thickness and shall extend through all construction joints.
5. WWF 150 x 150 x MW19 x MW19 at 205 kg/100 sq. meter or equivalent; or standard pavement fabric reinforcing of 205 kg/100 sq. meter minimum. Wire fabric shall be furnished in flat sheets unless otherwise specified.



SECTION H-H



SECTION K-K

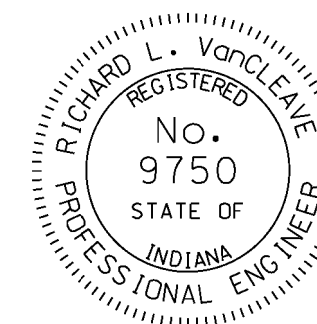
All Dimensions are in mm unless otherwise specified.

INDIANA DEPARTMENT OF TRANSPORTATION

SLOPEWALL AND DRAINAGE  
DETAILS

SEPTEMBER 2009

STANDARD DRAWING NO. 616-SWCO-07



DESIGN STANDARDS ENGINEER

/s/ Richard L. VanCleave 09/01/09  
DESIGN STANDARDS ENGINEER DATE

/s/ Mark A. Miller 09/01/09  
CHIEF HIGHWAY ENGINEER DATE