

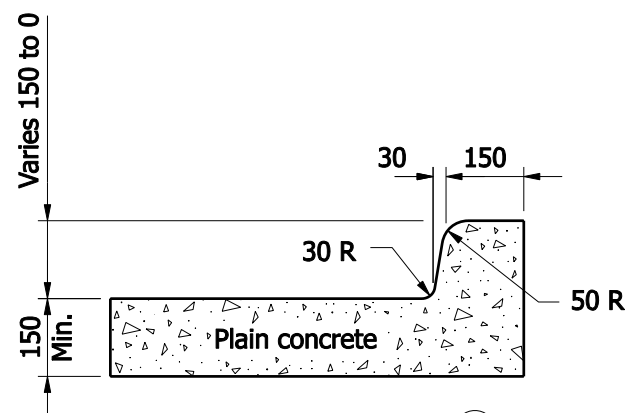
HALF PLAN
STANDARD COMBINED CURB & GUTTER

HALF PLAN
INTEGRAL CONCRETE CURB

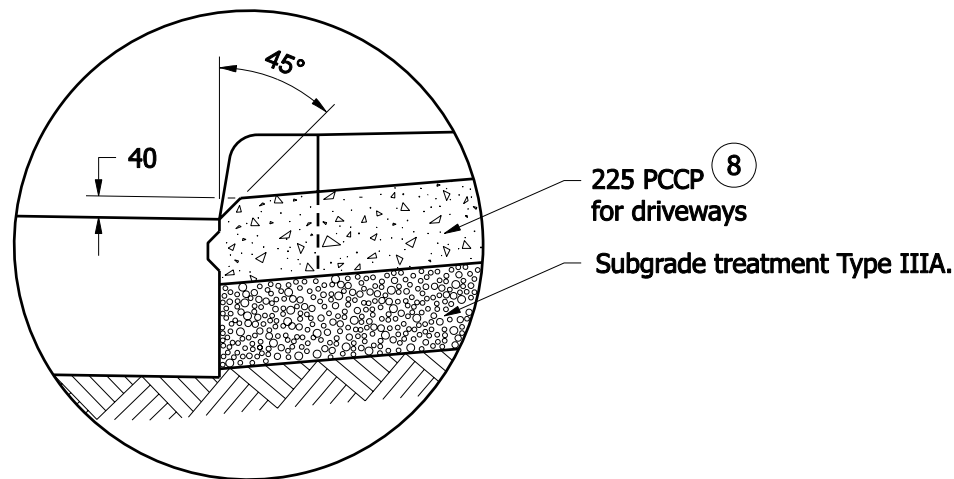
NOTES :

1. See Standard Drawing 610-DRIV-15 for plan and profiles of Class VII drive.
2. See Standard Drawing 610-DRIV-13 for General Notes and Legend.
3. DETAIL A - shows keyway construction joint in detail. For location see Drawing 610-DRIV-15.

JOINT PLACEMENT DETAIL



MONOLITHIC CURB ⑥



DETAIL A

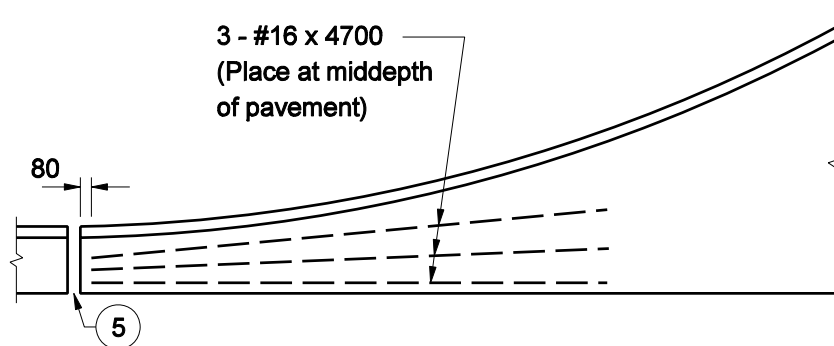
All Dimensions are in mm unless otherwise specified.

INDIANA DEPARTMENT OF TRANSPORTATION

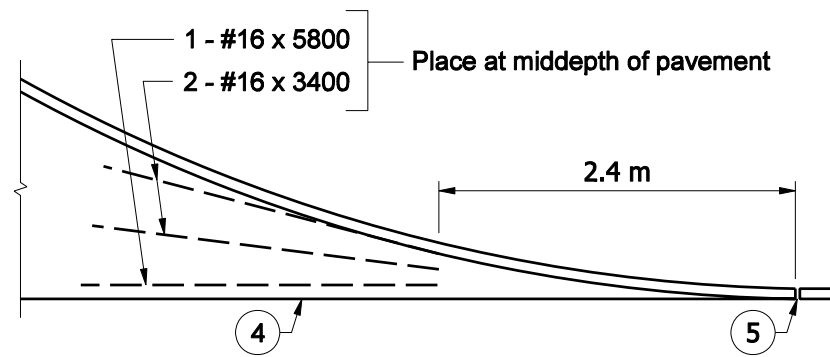
CLASS VII DRIVE
JOINT PLACEMENT AND CORNERS

SEPTEMBER 2007

STANDARD DRAWING NO. 610-DRIV-16

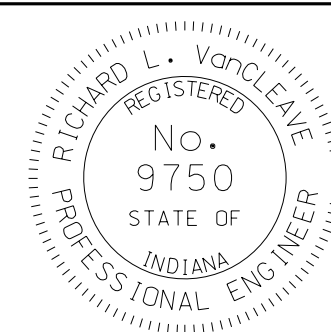


COMBINED CURB & GUTTER



INTEGRAL CONCRETE CURB

TYPICAL CORNER REINFORCING



DESIGN STANDARDS ENGINEER

/s/ Richard L. VanCleave 09/04/07
DESIGN STANDARDS ENGINEER DATE

/s/ Mark A. Miller 09/04/07
CHIEF HIGHWAY ENGINEER DATE