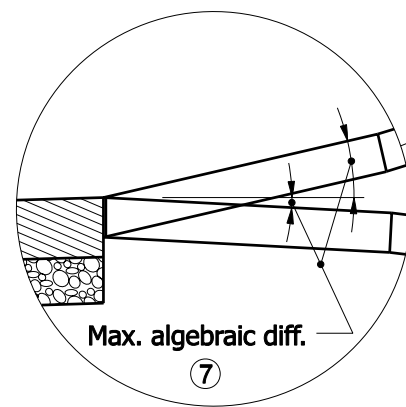


NOTES :

- ② The limits for X are based on a 150 curb height. For other curb heights, the limits for X shall be adjusted.
3. See Standard Drawing 604-SDWK-01 or 604-SDWK-02 for sidewalk elevation transition details.
4. See Standard Drawing 610-DRIV-13 for General Notes.



LEGEND

- W = Width of sidewalk
- X = Distance between back face of curb and sidewalk.
- Y = Distance from front face of curb to R or R/W
- [Hatched pattern] Sidewalk elevation transition section view.
- [Diagonal lines] PCCP

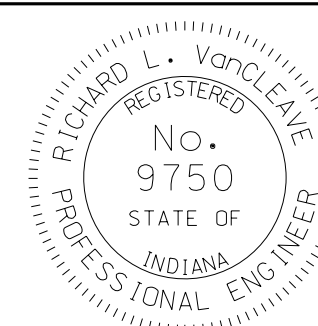
All Dimensions are in mm unless otherwise specified.

INDIANA DEPARTMENT OF TRANSPORTATION

CLASS I AND CLASS III DRIVE
 GRADE PROFILES

SEPTEMBER 2008

STANDARD DRAWING NO. 610-DRIV-08



DESIGN STANDARDS ENGINEER

/s/ Richard L. VanCleave 09/02/08
 DESIGN STANDARDS ENGINEER DATE

/s/ Mark A. Miller 09/02/08
 CHIEF HIGHWAY ENGINEER DATE