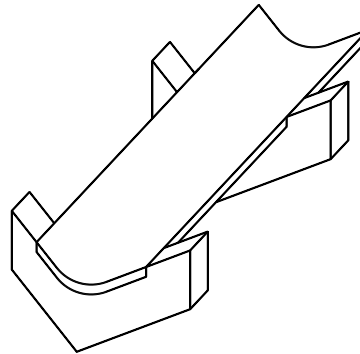
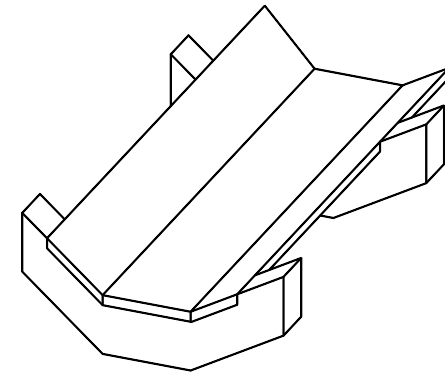


**SECTION A-A**



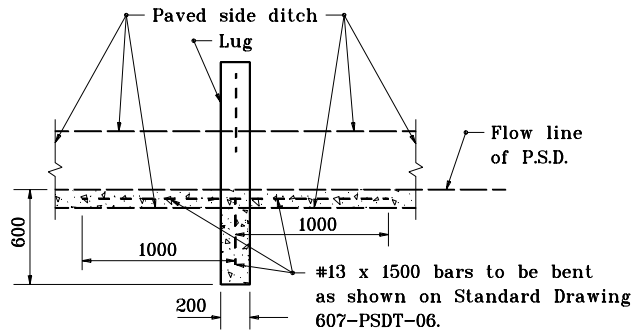
**ISOMETRIC VIEW**

**PAVED SIDE DITCH TYPE A THROUGH D**

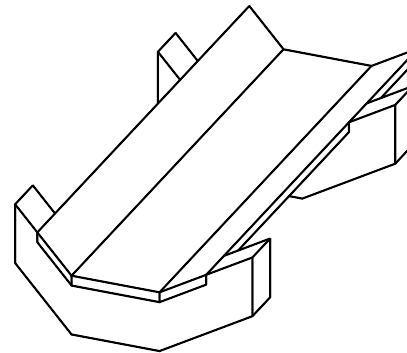


**ISOMETRIC VIEW**

**PAVED SIDE DITCH TYPES J THROUGH M**



**SECTION B-B**



**ISOMETRIC VIEW**

**PAVED SIDE DITCH TYPE E THROUGH H**

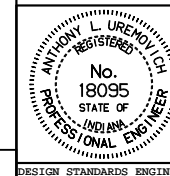
All dimensions are in mm unless otherwise specified.

INDIANA DEPARTMENT OF TRANSPORTATION

**PAVED SIDE DITCH  
SECTIONS AND ISOMETRICS**

SEPTEMBER 1997

STANDARD DRAWING NO. **607-PSDT-02**



/s/ Anthony L. Uremovich 9-01-97  
DESIGN STANDARDS ENGINEER DATE

/s/ Donald W. Lucas 9-01-97  
CHIEF HIGHWAY ENGINEER DATE

Source Sheet: **MB**

DESIGN STANDARDS ENGINEER