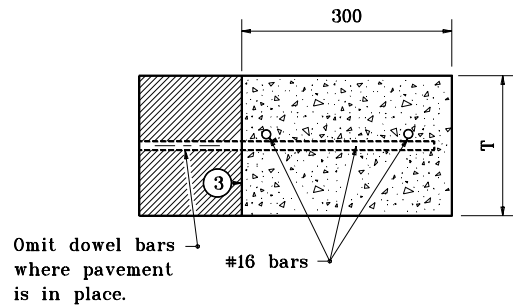
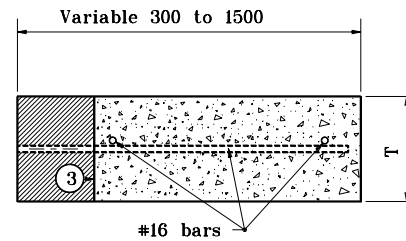


**EAR CONSTRUCTION TYPE "A"**



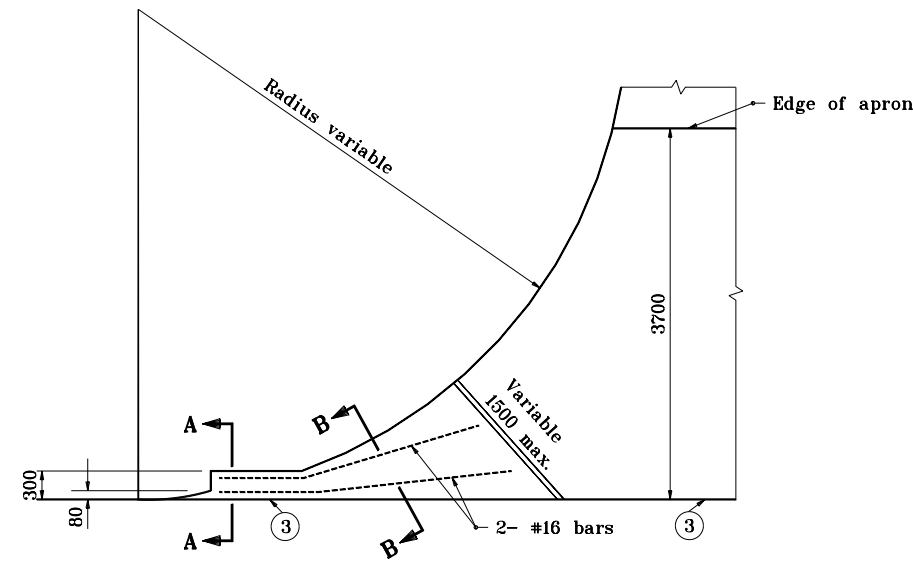
**SECTION A-A**



**SECTION B-B**

- LEGEND**
- ① Keyway joint
  - ② 30 preformed joint filler
  - ③ Longitudinal construction joint
- T = Thickness of pavement

Omit dowel bars where pavement is in place.



**EAR CONSTRUCTION TYPE "A"  
FOR PAVED APRON**

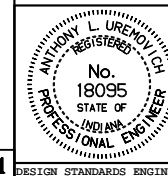
All dimensions are in mm unless otherwise specified.

INDIANA DEPARTMENT OF TRANSPORTATION

**EAR CONSTRUCTION  
TYPE A**

SEPTEMBER 1997

STANDARD DRAWING NO. 605-ERCN-01



/s/ Anthony L. Uremovich 9-01-97  
DESIGN STANDARDS ENGINEER DATE

/s/ Donald W. Lucas 9-01-97  
CHIEF HIGHWAY ENGINEER DATE

Source Sheet: M11