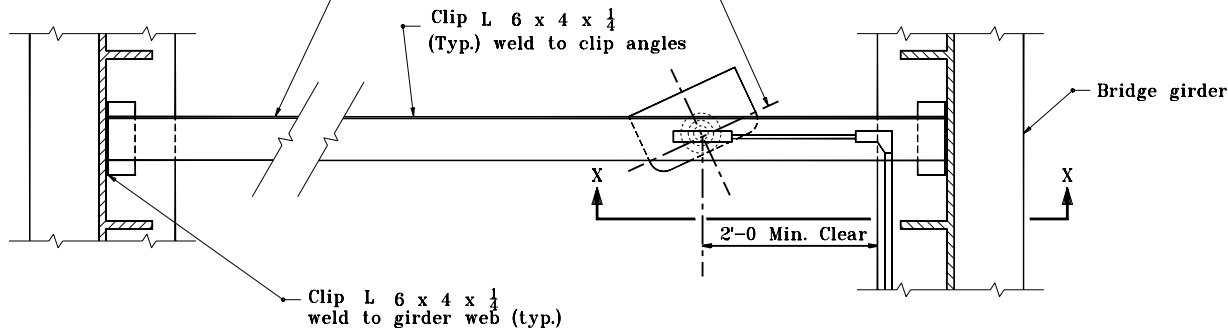


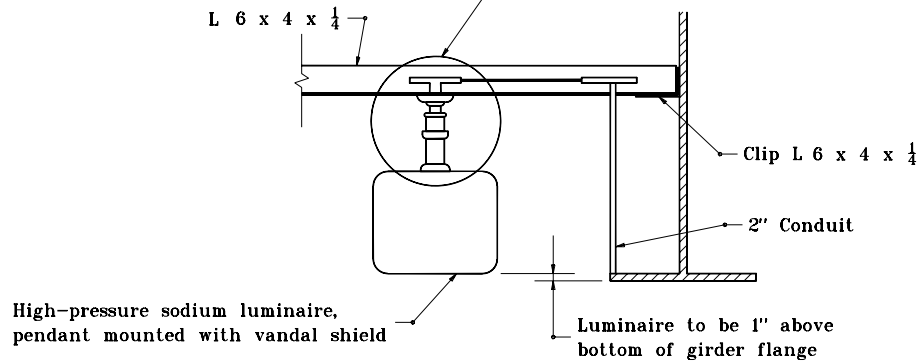
Skew angle where necessary to clear web stiffeners and cross frames

Locate lateral ϕ of luminaire over edge of roadway as noted on plans



PLAN VIEW

Refer to underpass luminaire pendant hanger detail



SECTION X-X

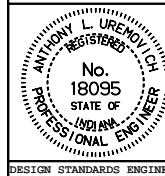
INDIANA DEPARTMENT OF TRANSPORTATION

UNDERPASS LIGHTING DETAILS

PENDANT MOUNTING

JANUARY 2000

STANDARD DRAWING NO. **E 807-LTUP-02**



/s/ Anthony L. Uremovich 1-03-00
DESIGN STANDARDS ENGINEER DATE

/s/ Ferooz Zandi 1-03-00
CHIEF HIGHWAY ENGINEER DATE

DESIGN STANDARDS ENGINEER