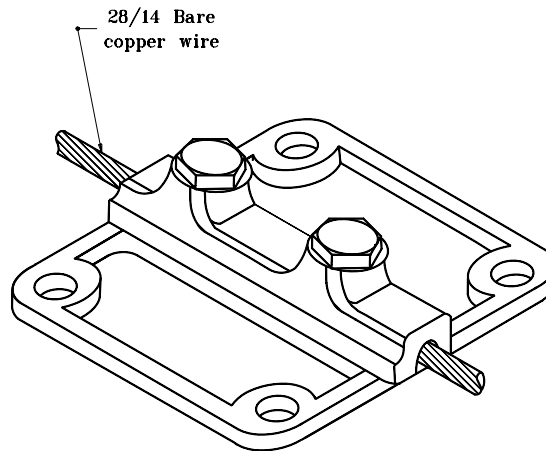
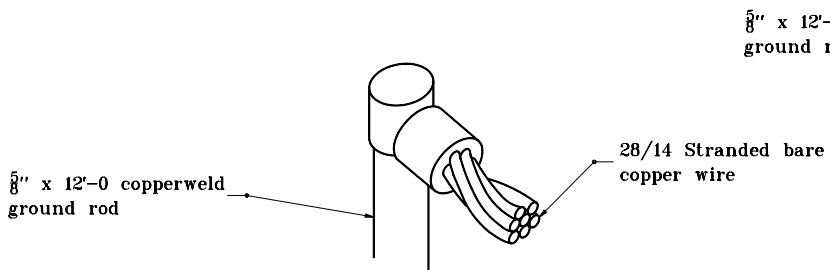


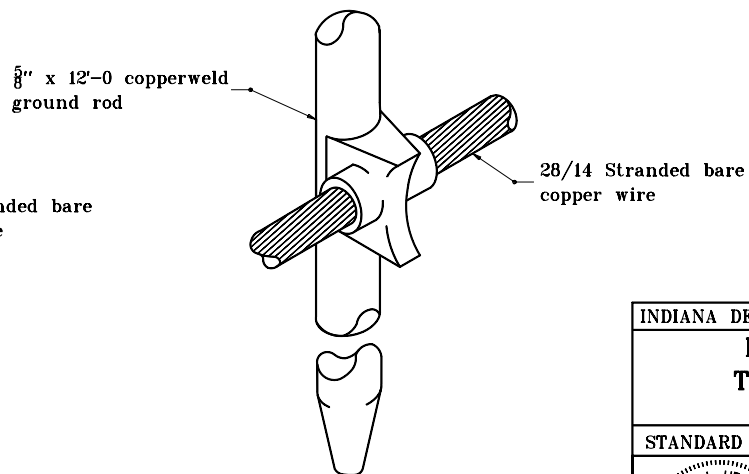
**GROUNDING GRID CONNECTOR**



**BONDING PLATE**  
(DETAIL A)



**TOP CONNECTION**



**SIDE CONNECTION**

**THERMOWELD PROCESS**

INDIANA DEPARTMENT OF TRANSPORTATION	
<b>LIGHTNING ROD TYPICAL DETAILS</b>	
MARCH 1995	
<b>STANDARD DRAWING NO. E 807-LTLR-02</b>	
DETAILS PLACED IN THIS FORMAT 11-15-99	
	/s/ Anthony L. Uremovich 11-15-99 DESIGN STANDARDS ENGINEER DATE
	/s/ Firooz Zandi 11-15-99 CHIEF HIGHWAY ENGINEER DATE
DESIGN STANDARDS ENGINEER ORIGINALLY APPROVED 3-01-95	