

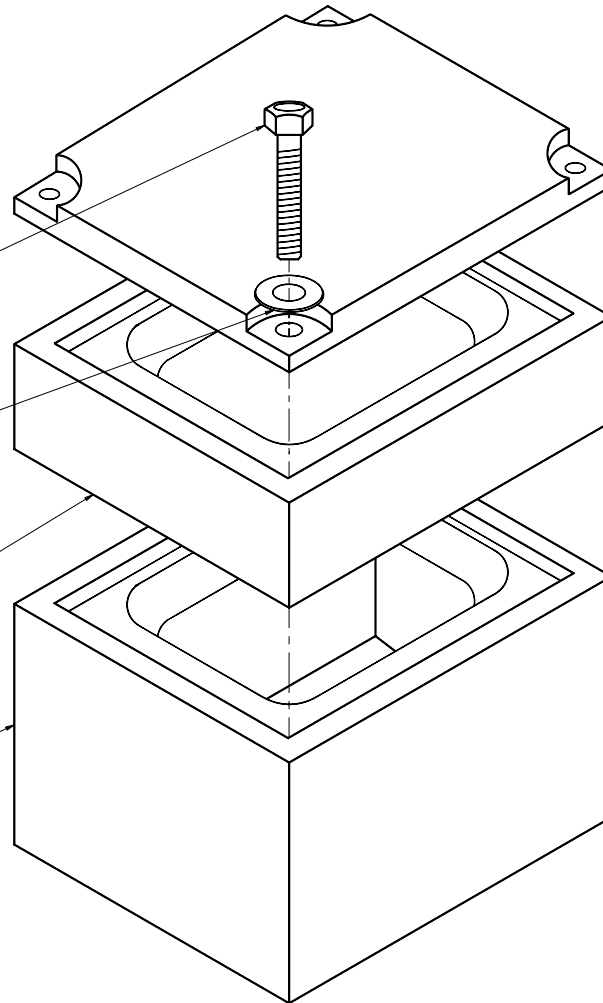
**CROSS SECTION OF HOUSING ADAPTOR**

1/2" x 4" hex head stainless steel bolt  
(4 required) threaded 3 1/2"

Stainless steel washer  
1/2" (4 required)

Detector housing adaptor

Detector housing



INDIANA DEPARTMENT OF TRANSPORTATION	
<b>DETAILS OF DETECTOR HOUSING ADAPTER</b>	
MARCH 1995	
STANDARD DRAWING NO. <b>E 805-SGDH-03</b>	
DETAILS PLACED IN THIS FORMAT 11-15-99	
	/s/ Anthony L. Uremovich 11-15-99 DESIGN STANDARDS ENGINEER DATE
	/s/ Firooz Zandi 11-15-99 CHIEF HIGHWAY ENGINEER DATE
	ORIGINALLY APPROVED 3-01-95