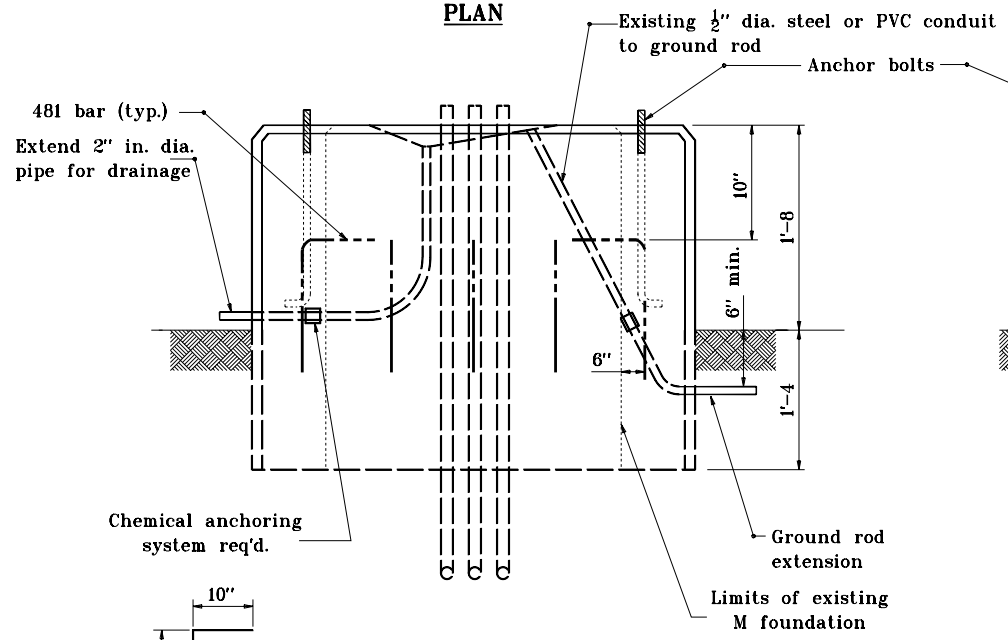
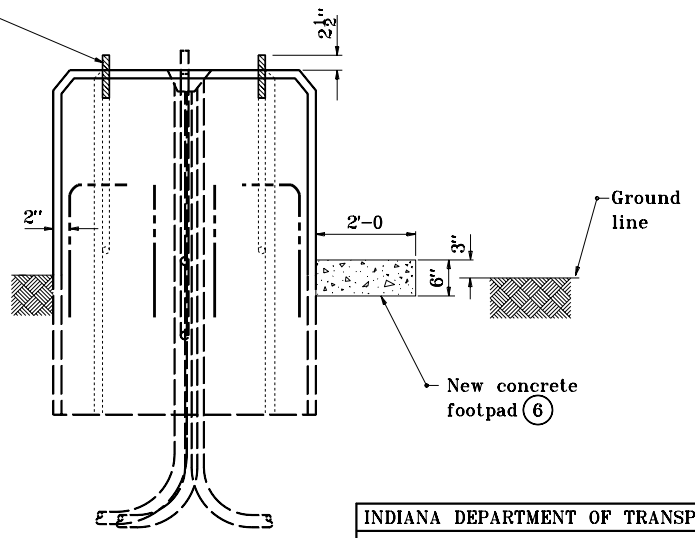


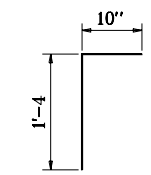
PLAN



FRONT VIEW



SIDE VIEW



1081 x 660

NOTES:

- ① See Standard Drawing E 805-SGCF-02 for M foundation details.
- ② See Standard Drawing E 805-SGCF-01 for P-1 foundation details.
- 3. Existing anchor bolts shall be cut at or below top of existing foundation.
- 4. See Standard Drawing E 805-SGCF-03 for General Notes.

INDIANA DEPARTMENT OF TRANSPORTATION	
EXISTING M FOUNDATION MODIFIED TO P-1 FOUNDATION	
SEPTEMBER 1998	
STANDARD DRAWING NO. E 805-SGCF-05	
DETAILS PLACED IN THIS FORMAT 11-15-99	
	/s/ Anthony L. Uremovich 11-15-99 DESIGN STANDARDS ENGINEER DATE
	/s/ Firooz Zandi 11-15-99 CHIEF HIGHWAY ENGINEER DATE
	ORIGINALLY APPROVED 9-01-98