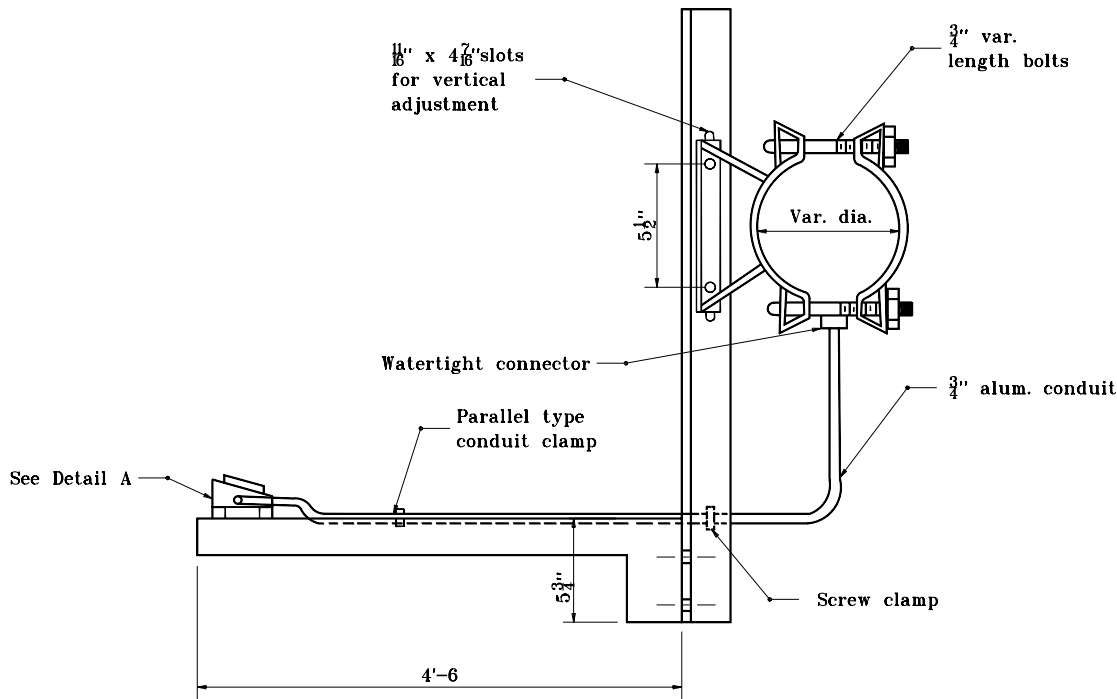
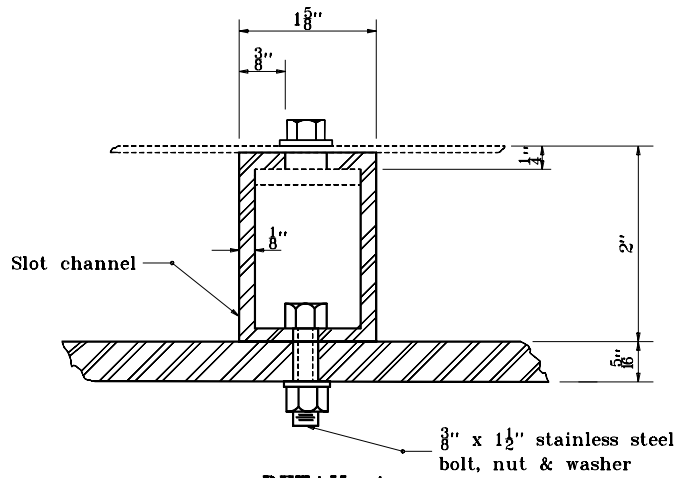


GENERAL NOTES

1. For connection details see Sign Wiring Details on the plans.



CONDUIT / LIGHTING DETAIL
(For single arm or beam sign bracket)



DETAIL A

INDIANA DEPARTMENT OF TRANSPORTATION	
CONDUIT / LIGHTING	
SEPTEMBER 2001	
STANDARD DRAWING NO. E 802-SNIL-07	
	/s/ Anthony L. Uremovich 9-04-01 DESIGN STANDARDS ENGINEER DATE
	/s/ Firooz Zandi 9-04-01 CHIEF HIGHWAY ENGINEER DATE
DESIGN STANDARDS ENGINEER	